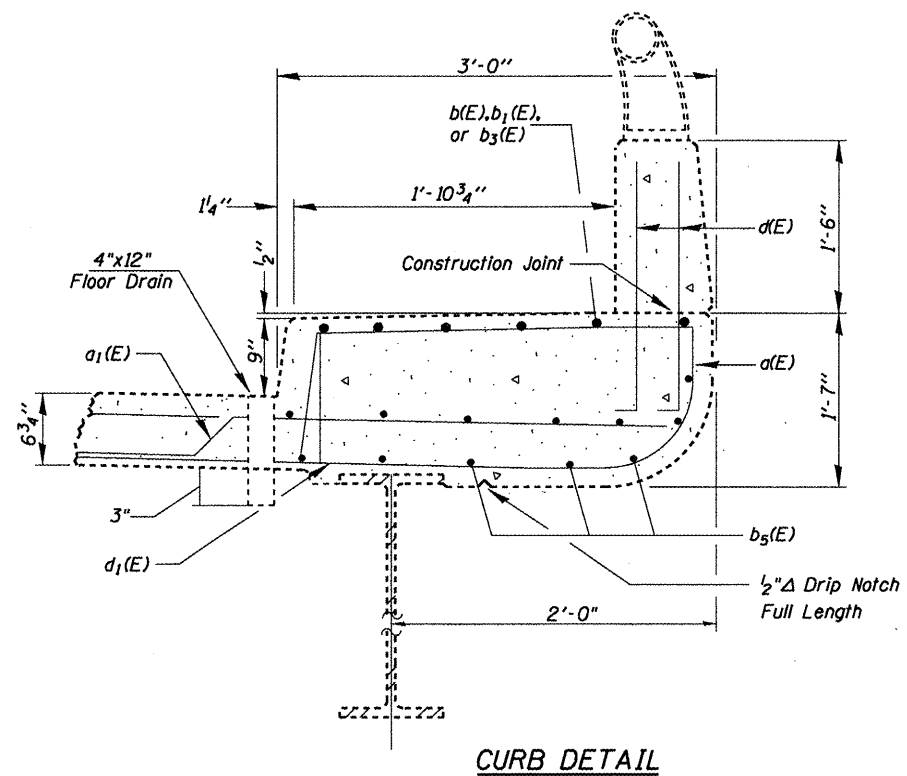
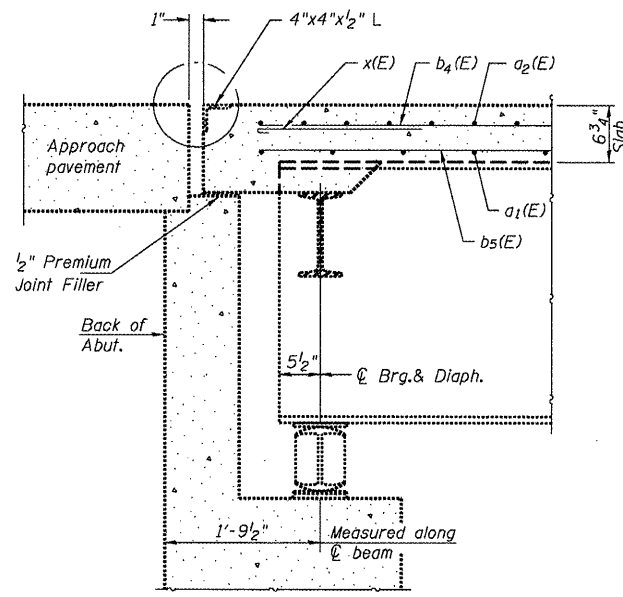


CROSS SECTION



CURB DETAIL



SECTION AT END-OF-SLAB

Notes:  
 Reinforcement bars designated (E) shall be epoxy coated.  
 Bars indicated thus 20 x 3-#5 etc. indicates 20 lines of bars with 3 lengths per line.  
 Section views drawn "FOR INFORMATION ONLY" to be used as reference for beam repair.

**FOR INFORMATION ONLY**

SN.048-0065 FARNHAM ST. OVER US34

FILE NAME = SN.048-0065 FarnhamSt overUS34.dgn	USER NAME = jonesoe	DESIGNED - CEJ	REVISD - ---
		DRAWN - CEJ	REVISD - ---
		CHECKED - ---	REVISD - ---
		DATE - 04/30/2009	REVISD - ---
PLOT SCALE = 1/83.7051' / IN.			
PLOT DATE = 5/21/2009			

STATE OF ILLINOIS  
 DEPARTMENT OF TRANSPORTATION

EXISTING CROSS SECTIONS

SCALE: \_\_\_\_\_ SHEET NO. \_\_\_\_ OF \_\_\_\_ SHEETS STA. \_\_\_\_\_ TO STA. \_\_\_\_\_

F.A.P. RTE.	SECTION	COUNTY	TOTAL SHEETS	SHEET NO.
29	(21-HB-2)I-4	KNOX	16	3
STEEL BEAM REPAIRS			CONTRACT NO. 68856	
FED. ROAD DIST. NO. 4 ILLINOIS FED. AID PROJECT				