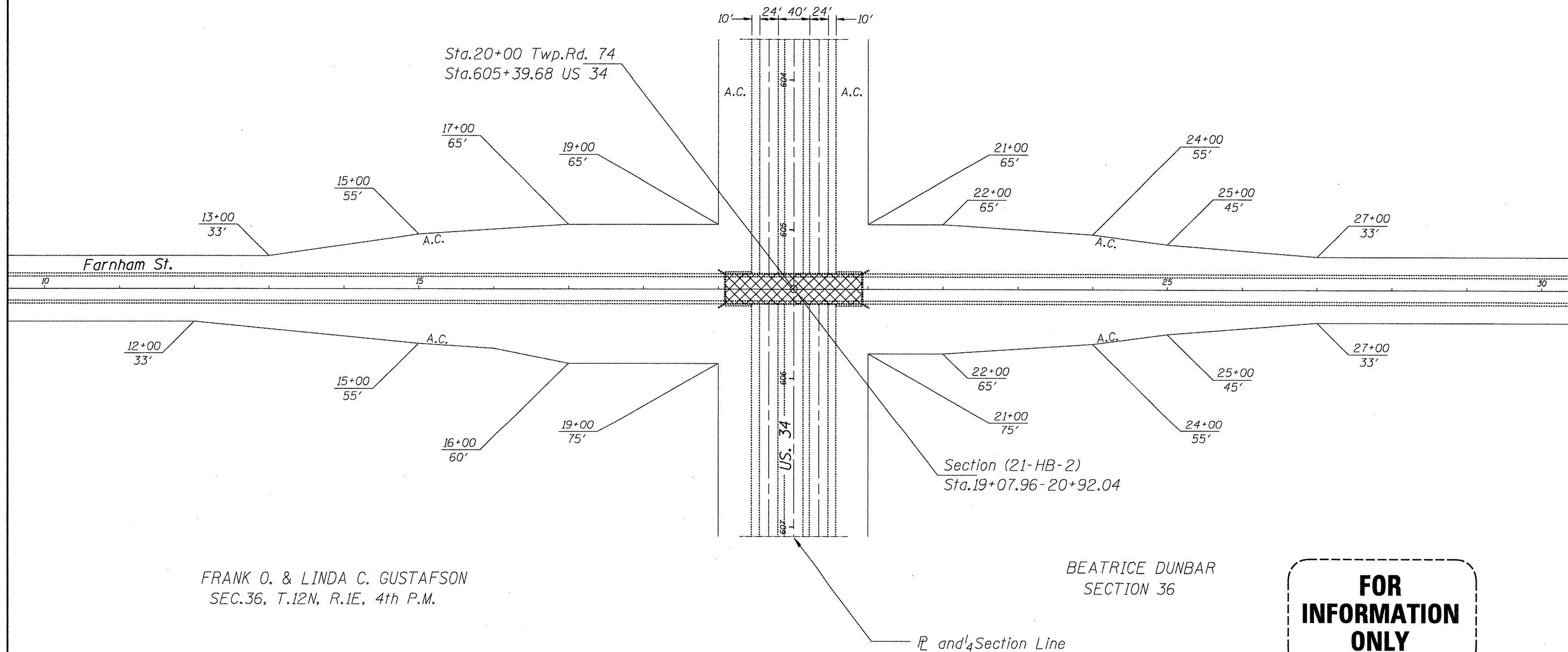


TWSP. RD. 74 (FARNHAM ST.)



CHARLES E. HINCKLEY
SEC.35, T.12N, R.1E, 4th P.M.

DUWAYNE R. JOHNSON
SECTION 35



FRANK O. & LINDA C. GUSTAFSON
SEC.36, T.12N, R.1E, 4th P.M.

BEATRICE DUNBAR
SECTION 36

**FOR
INFORMATION
ONLY**

SN.048-0065 FARNHAM
ST. OVER US34

FILE NAME = SN.048-0065 FarnhamSt overUS34.dgn	USER NAME = jonesce	DESIGNED - CEJ	REVISED - ---
		DRAWN - CEJ	REVISED - ---
	PLOT SCALE = 1/8" = 100' / IN.	CHECKED - ---	REVISED - ---
	PLOT DATE = 5/21/2009	DATE - ---	REVISED - ---

STATE OF ILLINOIS
DEPARTMENT OF TRANSPORTATION

GENERAL LAYOUT

SCALE: _____ SHEET NO. _____ OF _____ SHEETS STA. _____ TO STA. _____

F.A.P. RTE.	SECTION	COUNTY	TOTAL SHEETS	SHEET NO.
29	(21-HB-2)-4	KNOX	16	5
STEEL BEAM REPAIRS		CONTRACT NO. 68856		
FED. ROAD DIST. NO. 4 ILLINOIS FED. AID PROJECT				