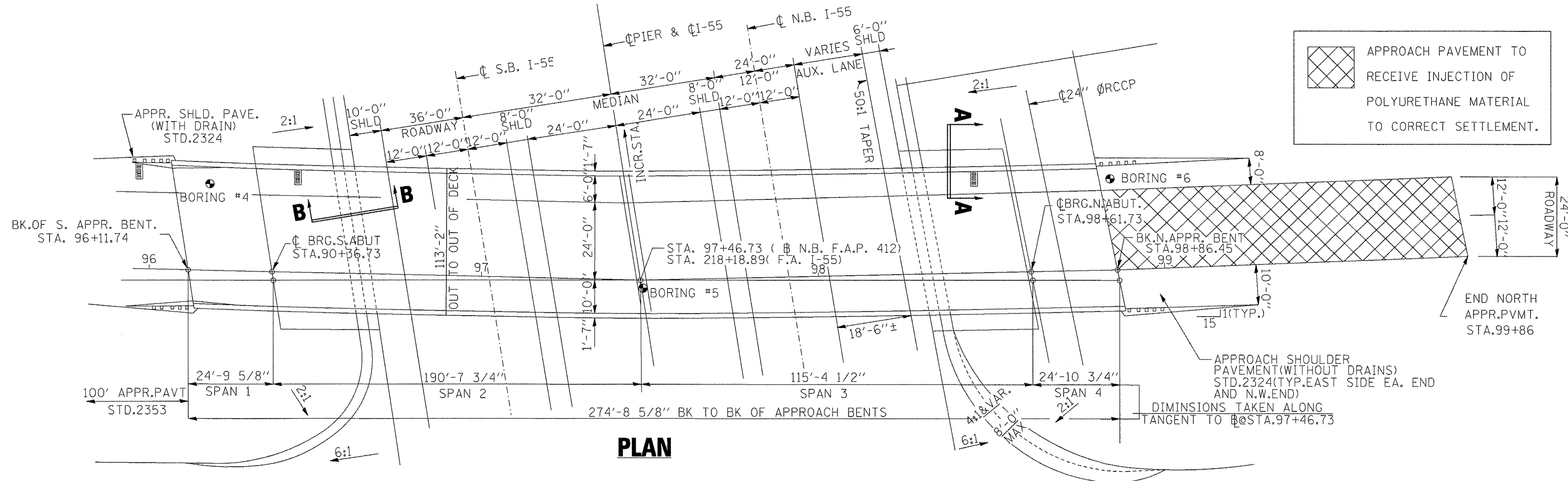
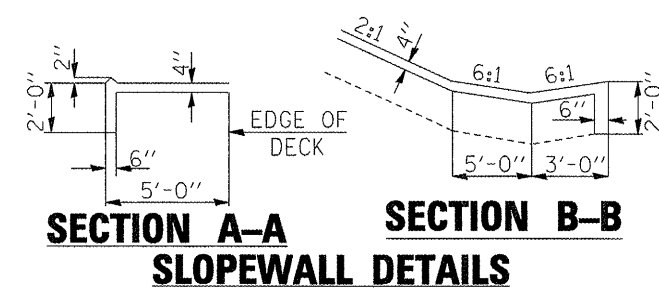
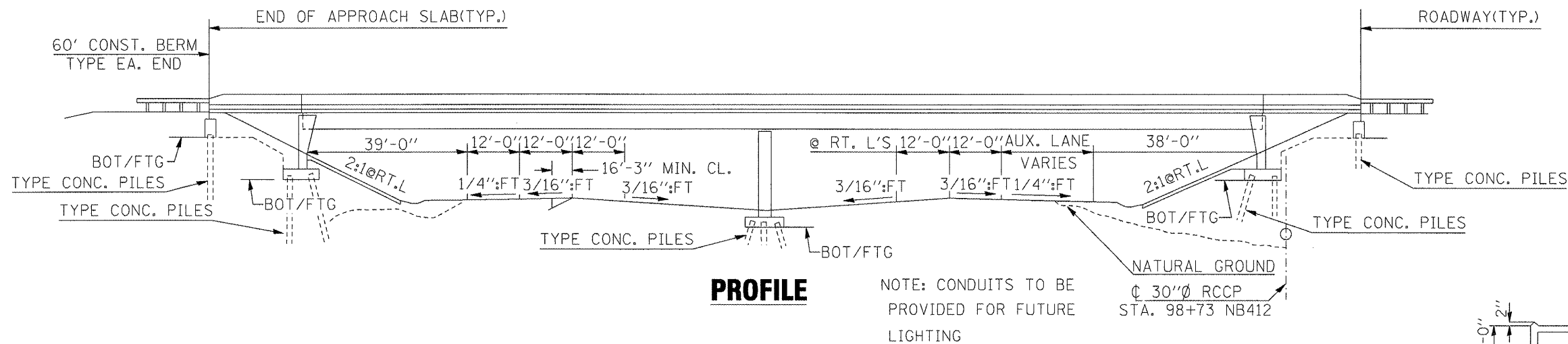


BRIDGE PLAN AND PROFILE STRUCTURE 057-0215



FILE NAME =	USER NAME = buckles,jj	DESIGNED -	REVISED -	STATE OF ILLINOIS DEPARTMENT OF TRANSPORTATION	PLAN AND PROFILE 057-0215	F.A.I. RTE.	SECTION	COUNTY	TOTAL SHEETS	SHEET NO.	
cr:\pwork\pido\ebuckles\j\0126799\057-0215-SHT-PLAN.dgn	DRAWN - JJB	REVISED -	REVISED -			39	57-21	MCLEAN	18	10	
PLOT SCALE = 48,0000 "/ IN.	CHECKED -	REVISED -	REVISED -			CONTRACT NO. 70797					
PLOT DATE = 3/27/2009	DATE -	REVISED -	REVISED -			ILLINOIS FED. AID PROJECT					
SCALE:		SHEET NO. OF SHEETS		STA. TO STA.							