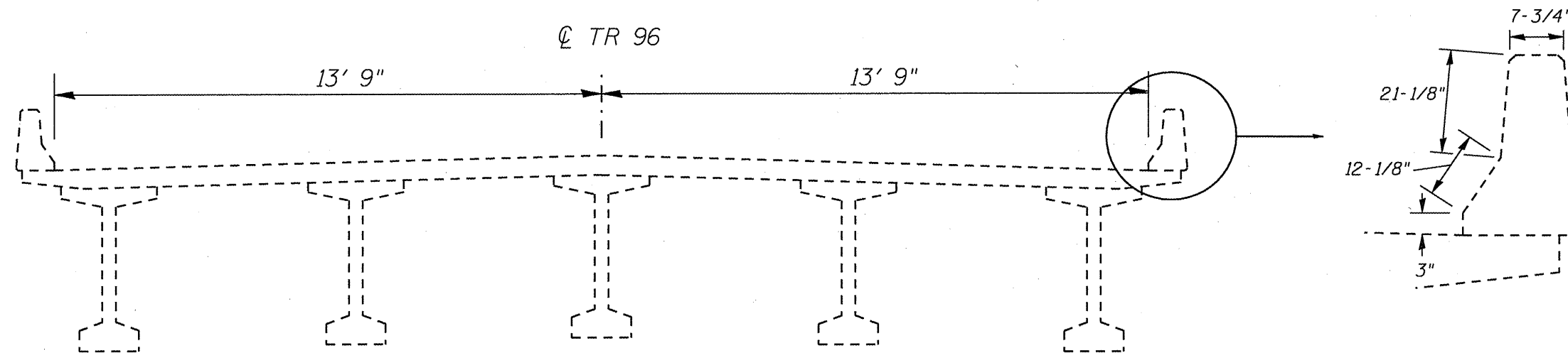


PLAN VIEW



CROSS SEC. LOOKING NORTH

TOTAL WIDTH = $13' 9" + 13' 9" + ((3" + 12-1/8" + 21-1/8" + 7-3/4") \times 2) = 34.8'$
 TOTAL LENGTH = $227' 2-1/2" = 227.2'$
 TOTAL AREA = $227.2' \times 34.8' = 7907 \text{ SQ FT}$
 $7907 \text{ SQ FT} / 9 = 879 \text{ SQ YD}$

BRIDGE DECK CONCRETE CRACK SEALER = 0'

NOT TO SCALE

SN 069-0072
VARIOUS ROUTES
D6 BRIDGE DECK SEALING 2009
ADAMS, CHRISTIAN, MORGAN, SANG.