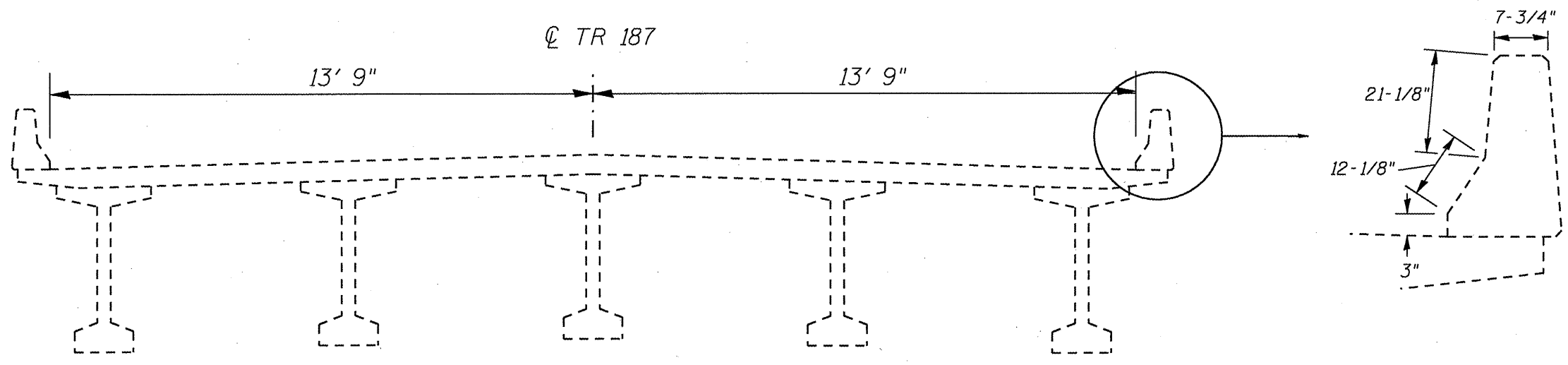


PLAN VIEW



CROSS SEC. LOOKING EAST

TOTAL WIDTH = 13' 9" + 13' 9" + ((3" + 12-1/8" + 21-1/8" + 7-3/4") x 2) = 34.8'  
 TOTAL LENGTH = 240' 9-3/4" = 240.8'  
 TOTAL AREA = 240.8' x 34.8' = 8380 SQ FT  
 8380 SQ FT / 9 = 931 SQ YD  
 BRIDGE DECK CONCRETE CRACK SEALER = 0'

NOT TO SCALE  
 SN 069-0079  
 VARIOUS ROUTES  
 D6 BRIDGE DECK SEALING 2009  
 ADAMS, CHRISTIAN, MORGAN, SANG.