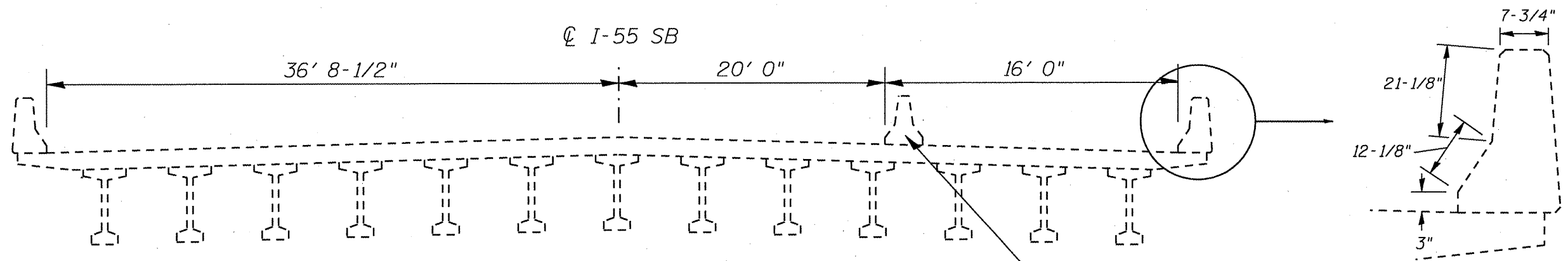


PLAN VIEW



CROSS SEC. LOOKING NORTH

TEMPORARY CONCRETE BARRIER

NOT TO SCALE

TOTAL WIDTH = 72' 8-1/2" + ((3" + 12-1/8" + 21-1/8" + 7-3/4") x 2) = 80.0'  
 TOTAL LENGTH = 136' 3" = 136.3'  
 TOTAL AREA = 136.3' x 80.0' = 10904 SQ FT  
 10904 SQ FT / 9 = 1212 SQ YD

BRIDGE DECK CONCRETE CRACK SEALER = 0'

SN 084-0210  
 VARIOUS ROUTES  
 D6 BRIDGE DECK SEALING 2009  
 ADAMS, CHRISTIAN, MORGAN, SANG.