

MATCHLINE STA 667+00

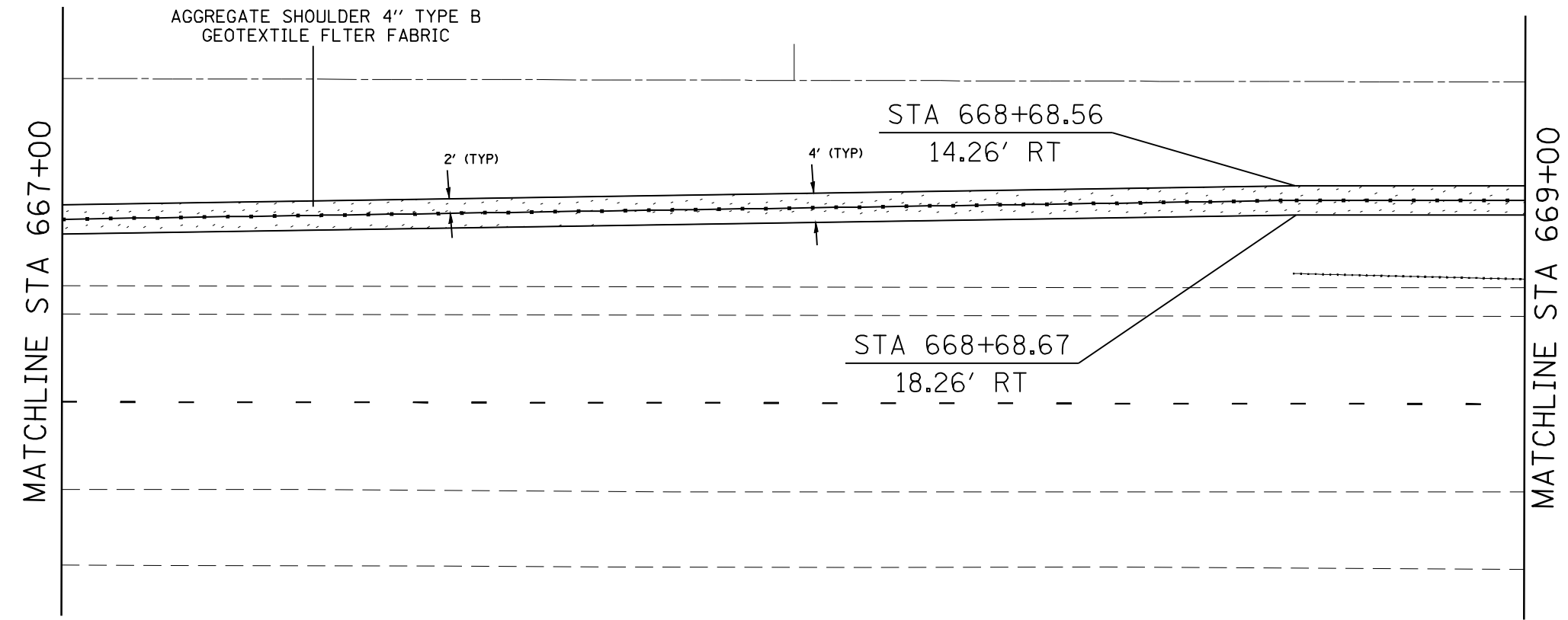
RT. STA 665+00.00 TO RT. STA 669+54.33



NOTES:

1. POSTS SHALL BE DRIVEN, IN ACCORDANCE WITH MANUFACTURER'S SPECIFICATIONS.
2. POST SPACING MAY BE ALTERED TO AVOID DRAINAGE STRUCTURES OR OTHER OBSTACLES.

NOT TO SCALE



MATCHLINE STA 667+00

MATCHLINE STA 669+00

RT. STA 665+00.00 TO RT. STA 669+54.33



NOTES:

1. POSTS SHALL BE DRIVEN, IN ACCORDANCE WITH MANUFACTURER'S SPECIFICATIONS.
2. POST SPACING MAY BE ALTERED TO AVOID DRAINAGE STRUCTURES OR OTHER OBSTACLES.

NOT TO SCALE

FILE NAME = e:\pwork\pwork\LAUGHLINRL\0128581\02C77-shd-details.dgn	USER NAME = laughlinr1	DESIGNED - BKL	REVISED -	STATE OF ILLINOIS DEPARTMENT OF TRANSPORTATION	HIGH TENSION CABLE BARRIER DETAIL			F.A.I. RTE.	SECTION	COUNTY	TOTAL SHEETS	SHEET NO.
	PLOT SCALE = 100.0000' / IN.	DRAWN - BKL	REVISED -		72	*	SANGAMON	100	30			
PLOT DATE = May-07-2009 08:15:22AM	CHECKED - JPM	REVISED -	SCALE: N.A.		SHEET NO.	OF SHEETS	STA.	TO STA.	ILLINOIS FED. AID PROJECT			
	DATE - 04/10/09	REVISED -	CONTRACT NO. 72C77									