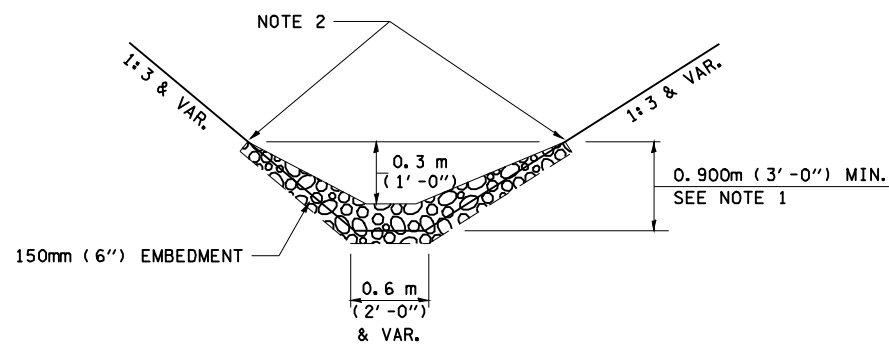


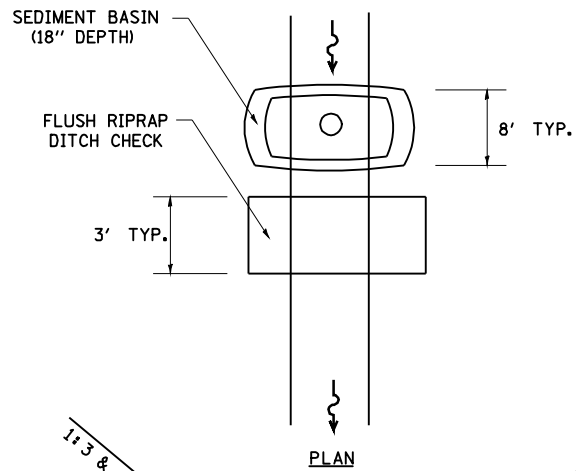
PLAN



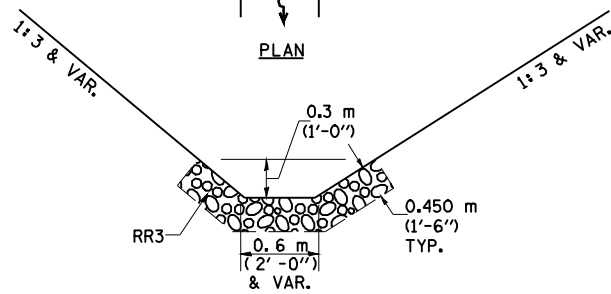
ELEVATION

OPTION 1

(EXTRUDING DITCH CHECK)  
RECOMMENDED FOR AREAS  
W/ RIPRAP DITCH LINING



PLAN



ELEVATION

OPTION 2

(FLUSH DITCH CHECK)  
RECOMMENDED FOR AREAS  
W/O RIPRAP DITCH LINING

**STONE DUMPED RIPRAP DITCH CHECK**  
(TYPICAL & OPTIONS 1 & 2  
AS DIRECTED BY THE ENGINEER)

NOTE 1: RIPRAP SHALL EXTEND FAR ENOUGH UP THE SLOPES TO ALLOW 0.3m (1') OVERTOPPING TO AVOID ERODING AROUND THE EDGES OF THE RIPRAP.

NOTE 2: ENDS SHALL BE TIED INTO SLOPES.

**LEGEND FOR STORM WATER POLLUTION PREVENTION PLAN**

ITEM	SYMBOL
AGGREGATE (EROSION CONTROL)	◆
STONE DUMPED RIPRAP DITCH CHECKS: Height = 0.6m (2')	◆
TEMPORARY DITCH CHECKS	◆
INLET PIPE PROTECTION (I&PP)	◆
EROSION CONTROL FENCE	~
EARTH EXCAVATION FOR EROSION CONTROL (SEDIMENT BASINS)	○
PRESERVE EXISTING TREES, WOODLANDS, AND UNDERSTORY (OUTSIDE CONSTRUCTION LIMITS)	▨
ITEM PLACED AT BEGINNING OF CONSTRUCTION (Requirement)	* ITEM *
ITEM PLACED AS DIRECTED BY ENGINEER (When required by situation)	ITEM
DIRECTION OF OVERLAND FLOW	➔

**GENERAL NOTES:**

All items shall be constructed as shown on this sheet, on Standard 280001, and as directed by the Engineer.

The symbology on the STORM WATER POLLUTION PREVENTION PLAN sheets does not represent the size or quantity of bales, for number of bales refer to details and notes shown on this sheet and/or as directed by the Engineer.

**THE CONTRACTOR SHALL INSTALL DITCH CHECKS AS DIRECTED BY THE ENGINEER. IF THE ENGINEER ELECTS TO UTILIZE FLUSH RIPRAP DITCH CHECKS IN LIEU OF TEMPORARY DITCH CHECKS AS SHOWN ON THE FOLLOWING PLAN SHEETS, THE SPACING SHOULD BE DOUBLED.**

FILE NAME = SWPPLAN.DGN	USER NAME = laughlinr1	DESIGNED - BKL	REVISED - AUG 2007 (JCN)
		DRAWN - CADD	REVISED -
		CHECKED - JCN	REVISED -
		DATE - APRIL 5, 1999	REVISED -

**STATE OF ILLINOIS  
DEPARTMENT OF TRANSPORTATION**

**STORM WATER POLLUTION  
PREVENTION PLAN**

SCALE:	SHEET NO. OF SHEETS	STA. 72C77 TO STA. 72C77
--------	---------------------	--------------------------

F.A.I. RTE.	SECTION	COUNTY	TOTAL SHEETS	SHEET NO.
72	*	SANGAMON	100	38
FED. ROAD DIST. NO. ILLINOIS FED. AID PROJECT			CONTRACT NO. 72C77	