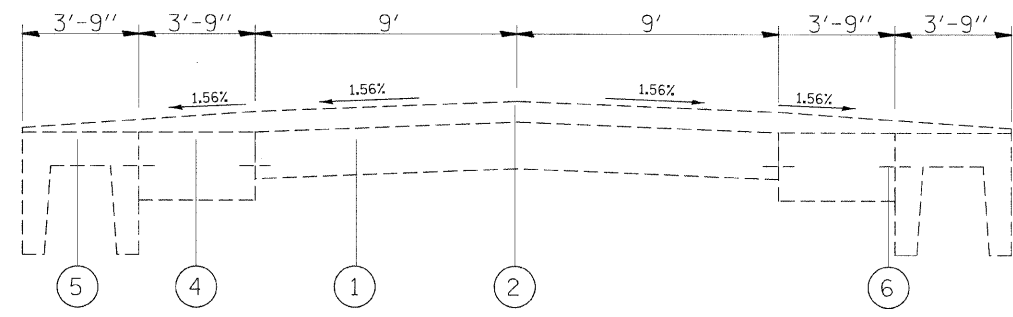


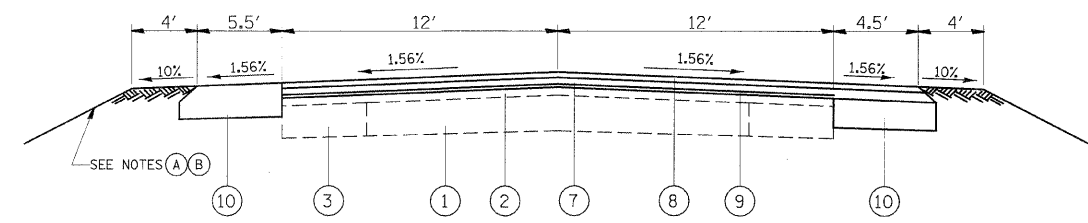
EXISTING TYPICAL-APPR. RDWY.
STATION 115+89.50 TO STATION 119+35.65
STATION 120+19.65 TO STATION 123+02.25



EXISTING BRIDGE APPROACH PAVEMENT

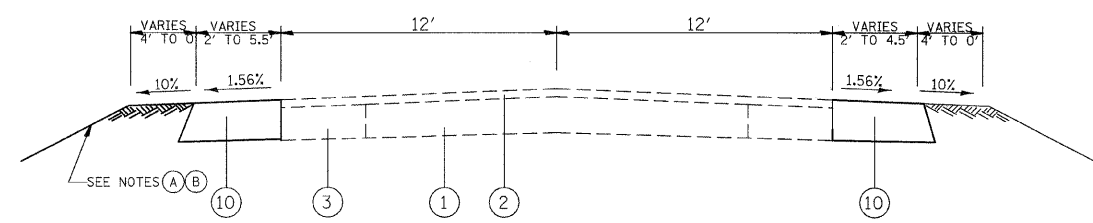
LEGEND

- ① EXISTING PCC PAVEMENT - 8"
- ② EXISTING HOT-MIX ASPHALT RESURFACING - 3"
- ③ EXISTING HOT-MIX ASPHALT BASE COURSE WIDENING - 8"
- ④ EXISTING PCC PAVEMENT - 10"
- ⑤ EXISTING PRECAST CONCRETE SLAB
- ⑥ EXISTING EXPANSION BOLTS
- ⑦ PROPOSED HMA BINDER CSE - 1" AND VARIES
- ⑧ PROPOSED HMA SURFACE COURSE - 1 1/2"
- ⑨ PROPOSED LEVELING BINDER (MACHINE METHOD), N70 - 3/4"
- ⑩ PROPOSED HMA BASE CSE WIDENING - 10"
- ⑪ PROPOSED BRIDGE APPROACH PAVEMENT
- ⑫ PROPOSED SUBBASE GRANULAR MAT'L., TYPE A, - 4"



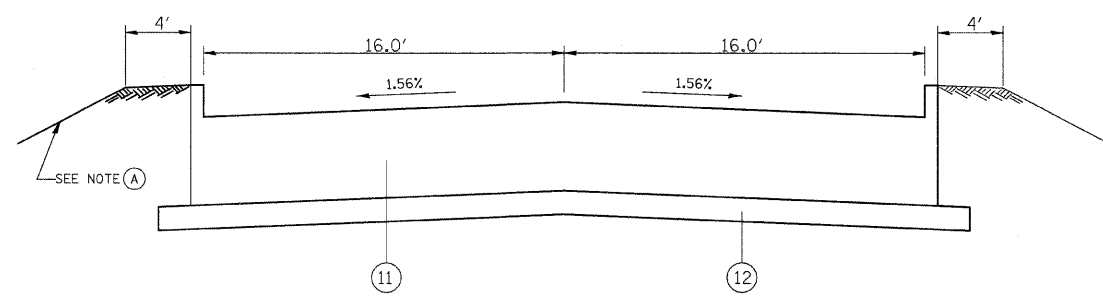
PROPOSED TYPICAL-APPR. RDWY.
STATION 117+00.00 TO STATION 119+10.50
STATION 120+45.50 TO STATION 122+75.00

NOTE (A) -SEE CROSS SECTIONS FOR SIDESLOPES
NOTE (B) -GUTTER FROM STATION 123+02.25 LEFT TO STATION 124+56.50 LEFT



PROPOSED TYPICAL-APPR. RDWY.
STATION 115+89.50 TO STATION 117+00.00
STATION 122+75.00 TO STATION 124+56.50

NOTE (A) -SEE CROSS SECTIONS FOR SIDESLOPES
NOTE (B) -GUTTER FROM STATION 123+02.25 LEFT TO STATION 124+56.50 LEFT



BRIDGE APPR. PAVT.
STATION 119+10.50 TO STATION 119+46.50
STATION 120+09.50 TO STATION 120+45.50

NOTE (A) -SEE CROSS SECTIONS FOR SIDESLOPES
NOTE (A) -SEE CROSS SECTIONS FOR SIDESLOPES

FILE NAME =	USER NAME =	DESIGNED -	REVISED -	STATE OF ILLINOIS DEPARTMENT OF TRANSPORTATION	TYPICAL SECTIONS			F.A.P. RTE.	SECTION	COUNTY	TOTAL SHEETS	SHEET NO.
et:\pwork\pwork\dot\mnn\tdms51935\p1n0206a.dgn		DRAWN -	REVISED -					325	3BR-2	JERSEY	90	5
PLOT SCALE = 50.0000' / IN.		CHECKED -	REVISED -		CONTRACT NO. 76B01			FED. ROAD DIST. NO. 8 ILLINOIS FED. AID PROJECT				
PLOT DATE = 12/11/2008		DATE -	REVISED -		SCALE:	SHEET NO. 1 OF 1 SHEETS	STA.				TO STA.	