

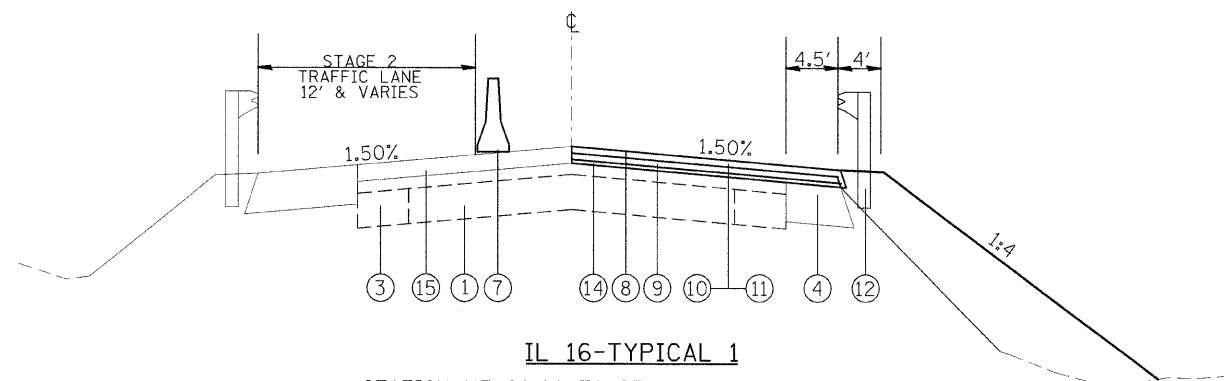
SUGGESTED SEQUENCE OF CONSTRUCTION:

STAGE 2 CONSTRUCTION

1. STAGE 2 CONSTRUCTION SHALL CONSIST OF CONSTRUCTING THE HMA RESURFACING TO MEET THE PROPOSED PROFILE, CONSTRUCTING THE PROPOSED STRUCTURE TO THE LIMITS SHOWN, REMOVAL OF ANY PAVEMENT NECESSARY TO COMPLETE THE STRUCTURE REMOVAL, PLACING THE PROPOSED SPBGR-TA, RECONSTRUCTING LONE STAR ROAD, AND REMOVAL OF THE TEMPORARY SIDEROAD AND HAUL ROAD.
2. THE TEMPORARY SIDEROAD SHALL BE MAINTAINED ACCORDING TO SECTION 402 OF THE STANDARD SPECIFICATIONS FOR ROAD AND BRIDGE CONSTRUCTION AND TO THE SATISFACTION OF THE RESIDENT ENGINEER. THE HAUL ROAD WILL BE MAINTAINED ACCORDING TO THE NOTES INCLUDED IN THE HAUL ROAD DETAILS.
3. TRAFFIC CONTROL FOR THIS WORK SHALL BE IN ACCORDANCE WITH THE APPLICABLE PORTIONS OF TRAFFIC CONTROL AND PROTECTION, STANDARD 701321 (SPECIAL). ANY ADDITIONAL SIGNING OR TRAFFIC CONTROL DEVICES SHOWN ON THE STAGE CONSTRUCTION PLANS SHALL BE CONSIDERED AS INCLUDED IN THE APPLICABLE TRAFFIC CONTROL AND PROTECTION STANDARD.

NOTES:

1. THE BOTTOM 6" OF THE TEMPORARY CONCRETE BARRIER SHALL BE PAINTED WITH TEMPORARY PAVEMENT MARKING "YELLOW". THE COST FOR THIS SHALL BE CONSIDERED AS INCLUDED IN THE COST OF TEMPORARY CONCRETE BARRIER.
2. ALL CONFLICTING PAVEMENT MARKING SHALL BE REMOVED PRIOR TO PLACING PAVEMENT MARKING NECESSARY FOR STAGE CONSTRUCTION. THE COST FOR THIS SHALL BE INCLUDED IN THE APPLICABLE TRAFFIC CONTROL AND PROTECTION STANDARD.
3. THE CONTRACTOR WILL NOT BE ALLOWED THE OPTION OF USING SAND MODULE IMPACT ATTENUATORS FOR THIS PROJECT.
4. THIS PROJECT WILL REQUIRE TEMPORARY RUMBLE STRIP.



IL 16-TYPICAL 1

STATION 117+00.00 TO STATION 119+10.50
 STATION 120+45.50 TO STATION 122+75.00

*WIDENING VARIES FROM 2' TO 5.5'
 STATION 115+89.50 TO STATION 117+00.00
 STATION 122+75.00 TO STATION 124+75.00

LEGEND

- ① EXISTING PCC PAVEMENT
- ② EXISTING HOT-MIX ASPHALT RESURFACING - 3"
- ③ EXISTING HOT-MIX ASPHALT BASE COURSE WIDENING - 8"
- ④ BASE COURSE WIDENING FROM STAGE 1A - 10"
- ⑤ PROPOSED AGGREGATE FOR TEMPORARY ACCESS-9"
- ⑥ EXISTING LONE STAR (ROAD DEPTH) UNKNOWN-A1 SURFACE
- ⑦ TEMPORARY CONCRETE BARRIER
- ⑧ PROPOSED HMA SURFACE COURSE-1 1/2"
- ⑨ PROPOSED HMA BINDER COURSE - 1" AND VARIES
- ⑩ PROPOSED BITUMINOUS MATERIALS (PRIME COAT)
- ⑪ PROPOSED AGGREGATE PRIME COAT
- ⑫ PROPOSED SPBGR-TA
- ⑬ BASE COURSE WIDENING FROM PREVIOUS STAGE-10"
- ⑭ PROPOSED LEVELING BINDER (MACHINE METHOD) - 3/4"
- ⑮ RESURFACING PLACED IN PREVIOUS STAGE

FILE NAME =	USER NAME = manntm	DESIGNED -	REVISED -	STATE OF ILLINOIS DEPARTMENT OF TRANSPORTATION	STAGE II CONSTRUCTION	F.A.P. RTE.	SECTION	COUNTY	TOTAL SHEETS	SHEET NO.
of:\pwork\pwork\manntm\dms51935\pln02\06budgn	DRAWN -	REVISED -	325			3BR-2	JERSEY	90	23	
PLOT SCALE = 20,0000 ' / IN.	CHECKED -	REVISED -	CONTRACT NO. 76B01							
PLOT DATE = 12/11/2008	DATE -	REVISED -	FED. ROAD DIST. NO. 8 ILLINOIS FED. AID PROJECT							
					SCALE:	SHEET NO. 9 OF 12 SHEETS		STA.	TO STA.	