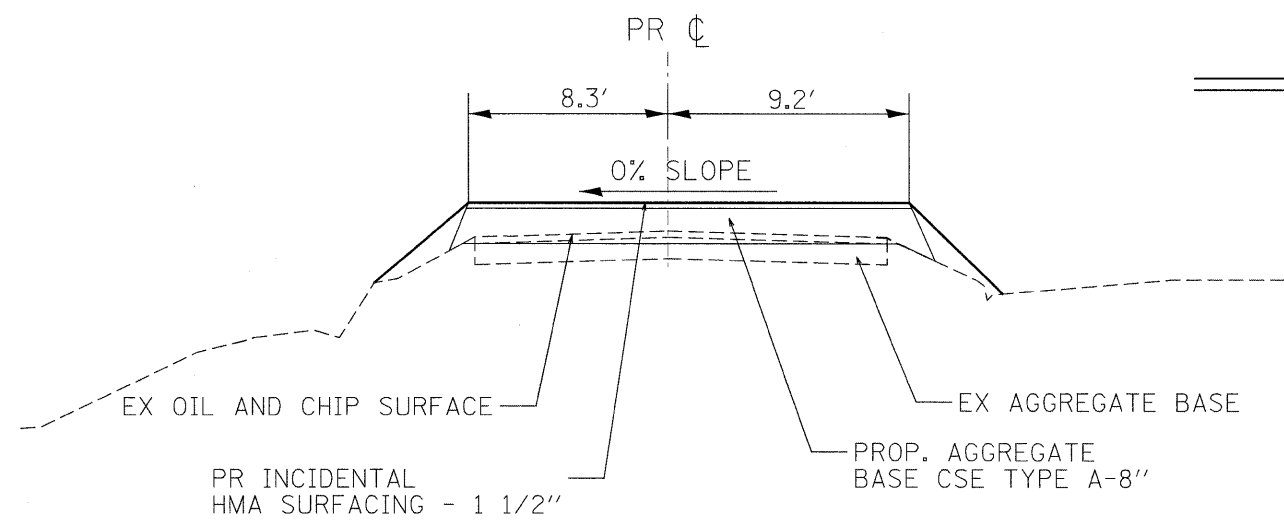
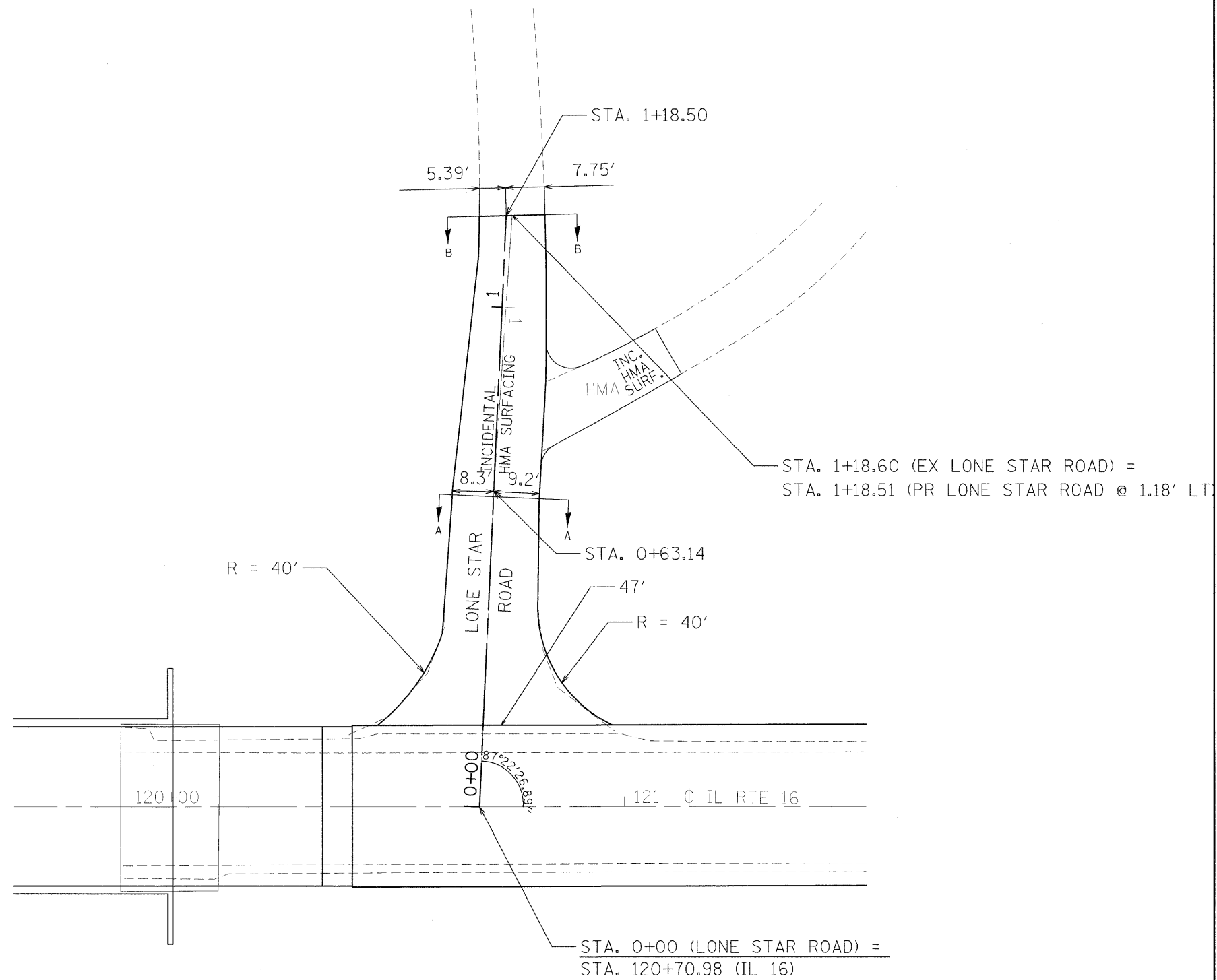


SECTION B-B



SECTION A-A



FILE NAME =	USER NAME = manntm	DESIGNED -	REVISED -
c:\pwork\pwork\manntm\dms51935\p1n02206a.dgn		DRAWN -	REVISED -
		CHECKED -	REVISED -
		DATE -	REVISED -

STATE OF ILLINOIS
DEPARTMENT OF TRANSPORTATION

LONE STAR ROAD
DETAIL

SCALE: SHEET NO. 1 OF 1 SHEETS STA. TO STA.

F.A.P. RTE.	SECTION	COUNTY	TOTAL SHEETS	SHEET NO.
325	3BR-2	JERSEY	90	33
CONTRACT NO. 76B01				
FED. ROAD DIST. NO. ILLINOIS FED. AID PROJECT				