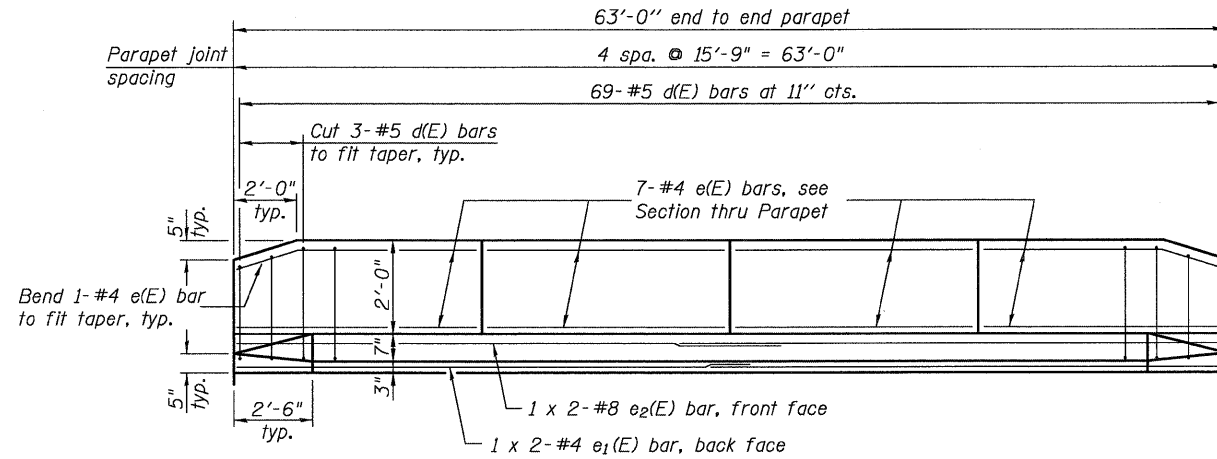
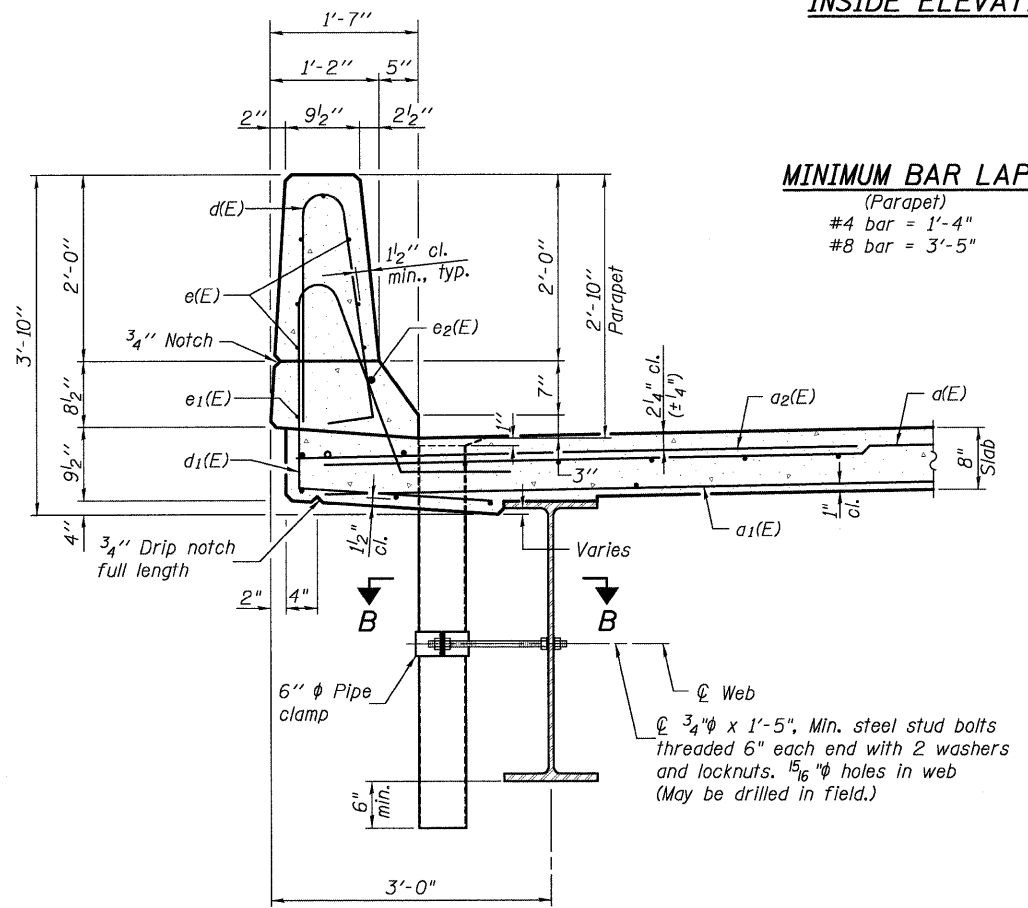
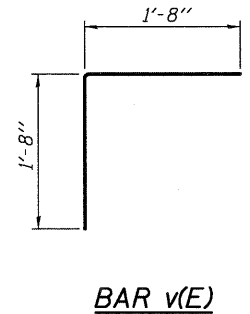
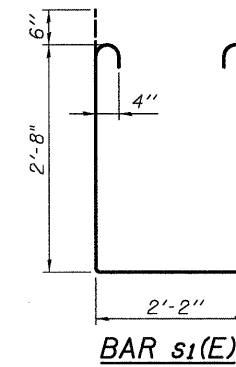
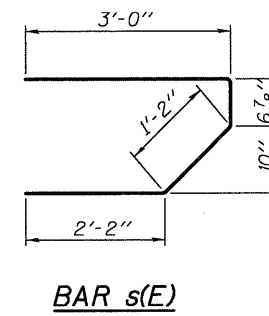


STATE OF ILLINOIS
DEPARTMENT OF TRANSPORTATION

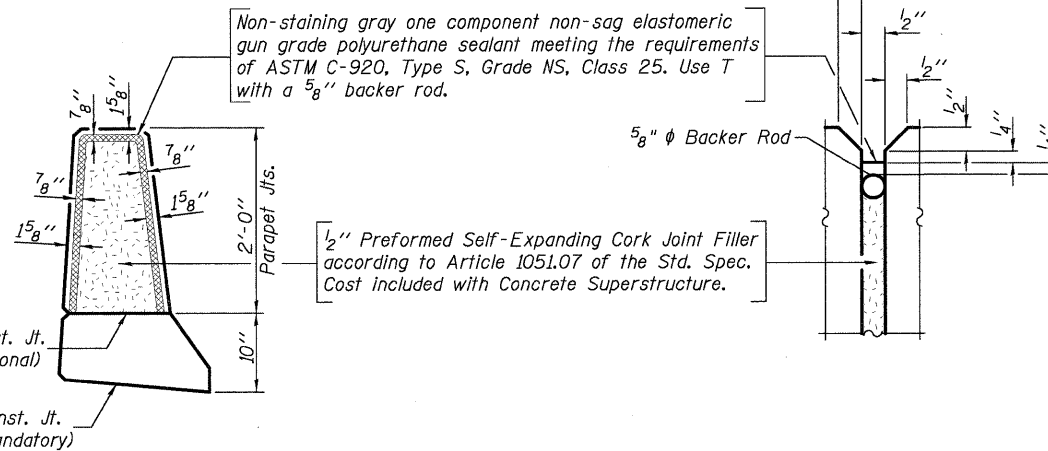


INSIDE ELEVATION OF PARAPET



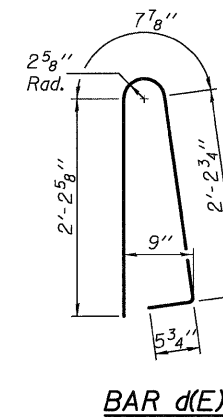
SECTION THRU PARAPET

MINIMUM BAR LAP
(Parapet)
#4 bar = 1'-4"
#8 bar = 3'-5"

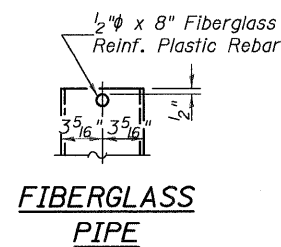


PARAPET JOINT DETAILS

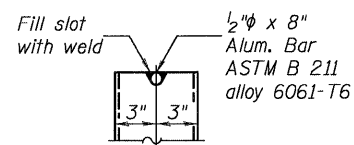
Notes:
The exterior surfaces of the floor drains shall be painted with the finish coat as specified in the special provisions for Cleaning and Painting New Metal Structures. The exterior surfaces of the drains shall be cleaned according to Society of Protective Coatings Spec. SSPC-SP1 prior to painting.
Fiberglass pipe shall conform to ASTM D 2996, with short-time rupture strength hoop tensile stress of 30,000 p.s.i. minimum.



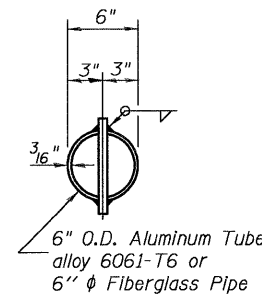
BAR d(E)



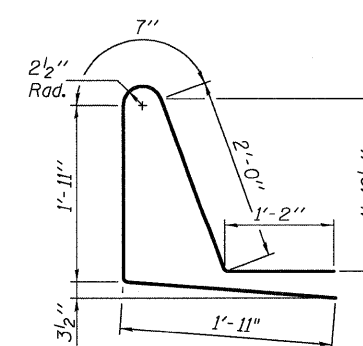
FIBERGLASS PIPE



ALUMINUM TUBE



TOP PLAN
(Showing Aluminum Tube)



BAR d1(E)

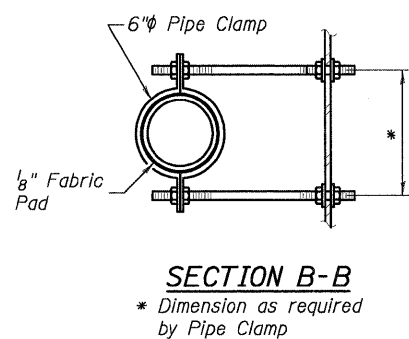
**SUPERSTRUCTURE
BILL OF MATERIAL**

Bar	No.	Size	Length	Shape
a(E)	216	#5	17'-1"	—
a1(E)	152	#5	16'-6"	—
a2(E)	216	#6	6'-0"	—
b(E)	76	#5	32'-5"	—
b1(E)	96	#5	22'-4"	—
d(E)	138	#5	5'-7"	┌
d1(E)	138	#5	7'-7"	┌
e(E)	56	#4	15'-6"	—
e1(E)	4	#4	32'-0"	—
e2(E)	4	#8	33'-1"	—
m(E)	8	#6	16'-5"	—
m1(E)	12	#6	17'-3"	—
m2(E)	24	#6	7'-6"	—
m3(E)	8	#6	5'-6"	—
m4(E)	8	#6	2'-7"	—
s(E)	72	#5	6'-11"	└
s1(E)	64	#4	8'-6"	└
v(E)	68	#5	3'-4"	└
Reinforcement Bars, Epoxy Coated		Pound	18,130	
Concrete Superstructure		Cu. Yds.	91.9	

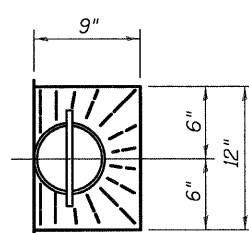
Bars indicated thus 1 x 2-#8 etc., indicates 1 line of bars with 2 lengths per line.

SUPERSTRUCTURE DETAILS

DESIGNED	K.M.M.
CHECKED	L.D.G.
DRAWN	K.H.L.
CHECKED	B.G.H.



SECTION B-B
* Dimension as required by Pipe Clamp



TOP PLAN

SHEET NO. 12 21 SHEETS	F.A.P. RTE.	SECTION	COUNTY	TOTAL SHEETS	SHEET NO.
	325	3BR-2	JERSEY	90	53
S.N. 042-0041			CONTRACT NO. 76B01		
FED. ROAD DIST. NO. ILLINOIS FED. AID PROJECT					