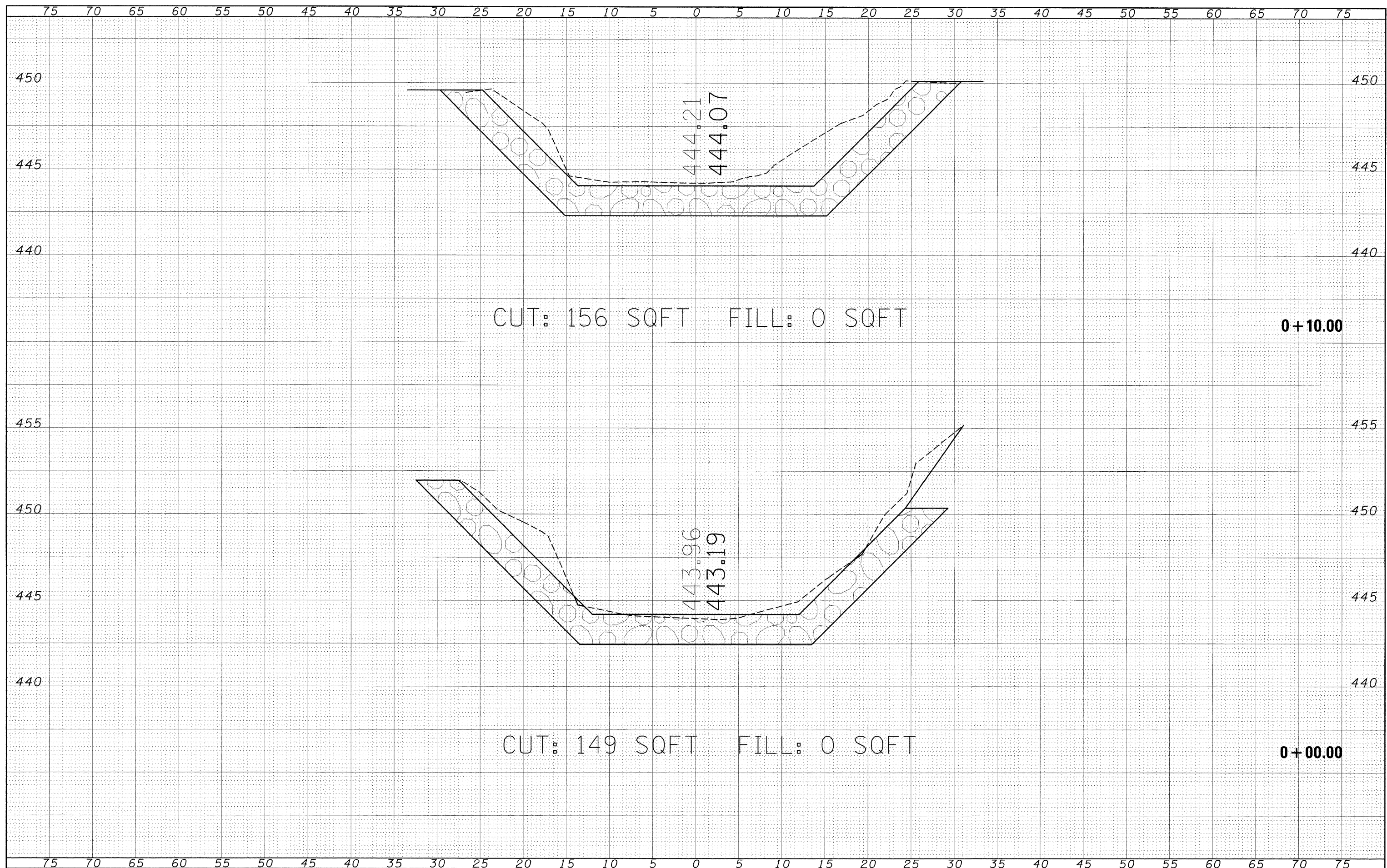


DATE	
BY	
FINAL SURVEY	
SUPERVISED	
PLOTTED	
NOTE BOOK	
TEMPLATE	
AREAS	
CHECKED	

DATE	
BY	
ORIGINAL SURVEY	
SUPERVISED	
PLOTTED	
NOTE BOOK	
TEMPLATE	
AREAS	
CHECKED	



CUT: 156 SQFT FILL: 0 SQFT

0+10.00

CUT: 149 SQFT FILL: 0 SQFT

0+00.00

FILE NAME = c:\pwork\pwork\mnm\des51935\ssht02006.dgn

USER NAME = mnm

DESIGNED -
DRAWN -
CHECKED -
DATE -

REVISED -
REVISED -
REVISED -
REVISED -

STATE OF ILLINOIS
DEPARTMENT OF TRANSPORTATION

BAUM BRANCH CREEK
CROSS SECTIONS
SCALE: SHEET NO. 1 OF 6 SHEETS STA. +00.00 TO STA. +10.00

F.A.P. RTE.	SECTION	COUNTY	TOTAL SHEETS	SHEET NO.
325	3BR-2	JERSEY	90	82
CONTRACT NO. 76B01				
FED. ROAD DIST. NO. 8 ILLINOIS FED. AID PROJECT				