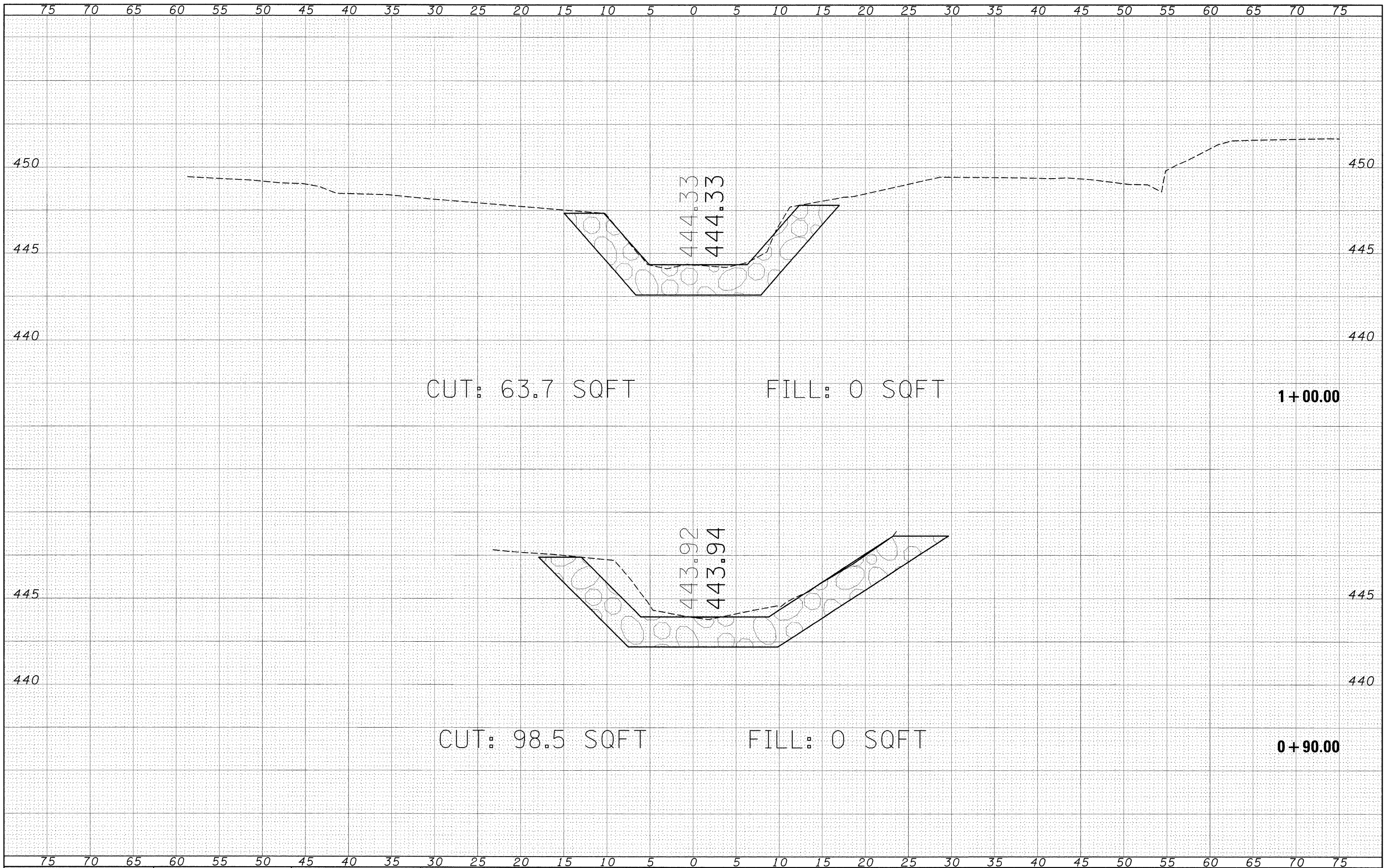


DATE	
BY	
SURVEYED	
PLOTTED	
TEMPLATE	
AREAS CHECKED	
FINAL SURVEY	
NOTE BOOK	
NO.	

DATE	
BY	
SURVEYED	
PLOTTED	
TEMPLATE	
AREAS CHECKED	
ORIGINAL SURVEY	
NOTE BOOK	
NO.	



CUT: 63.7 SQFT

FILL: 0 SQFT

1+00.00

CUT: 98.5 SQFT

FILL: 0 SQFT

0+90.00

FILE NAME = c:\pwwork\pwwork\mnnntm\dms51935\asht020206.dgn

USER NAME = mnnntm
 PLOT SCALE = 5.0000' / IN.
 PLOT DATE = 12/11/2008

DESIGNED -
 DRAWN -
 CHECKED -
 DATE -

REVISED -
 REVISED -
 REVISED -
 REVISED -

**STATE OF ILLINOIS
 DEPARTMENT OF TRANSPORTATION**

**BAUM BRANCH CREEK
 CROSS SECTIONS**

SCALE: SHEET NO. 6 OF 6 SHEETS STA. +90.00 TO STA. 1+00.00

F.A.P. RTE.	SECTION	COUNTY	TOTAL SHEETS	SHEET NO.
325	3BR-2	JERSEY	90	87
CONTRACT NO. 76B01				
FED. ROAD DIST. NO. 8 ILLINOIS FED. AID PROJECT				