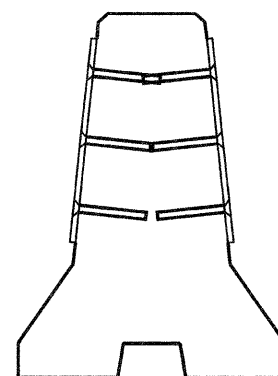
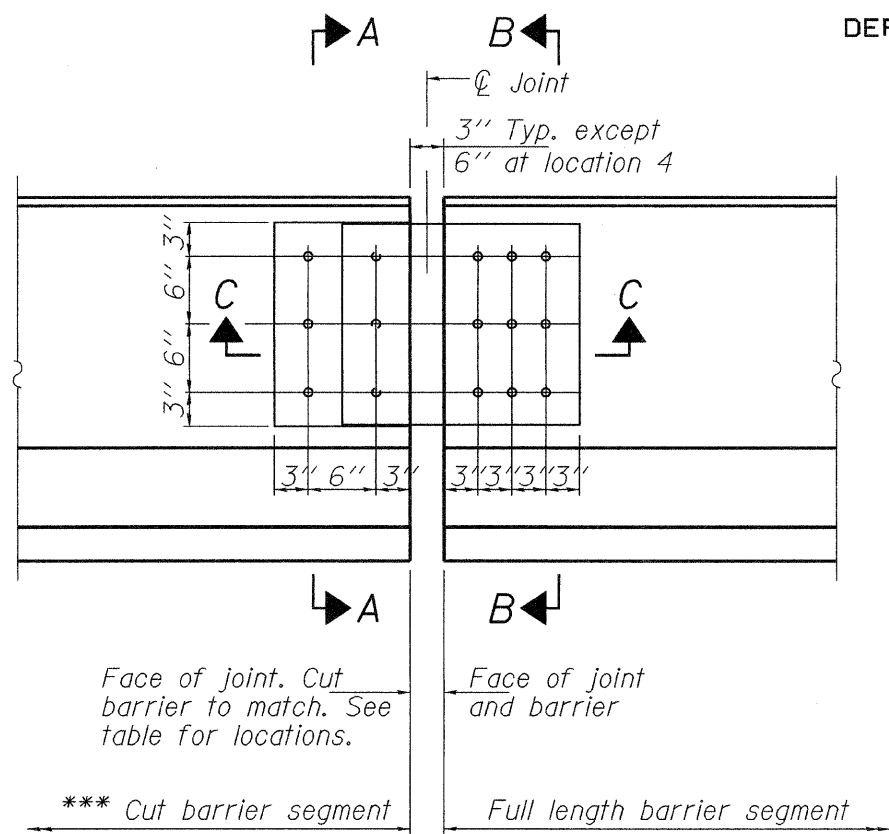
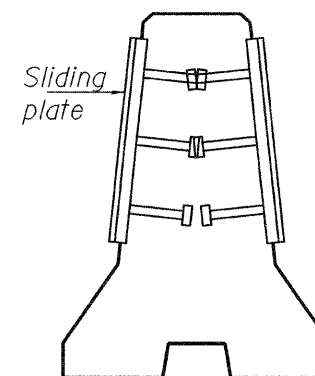


STATE OF ILLINOIS
DEPARTMENT OF TRANSPORTATION

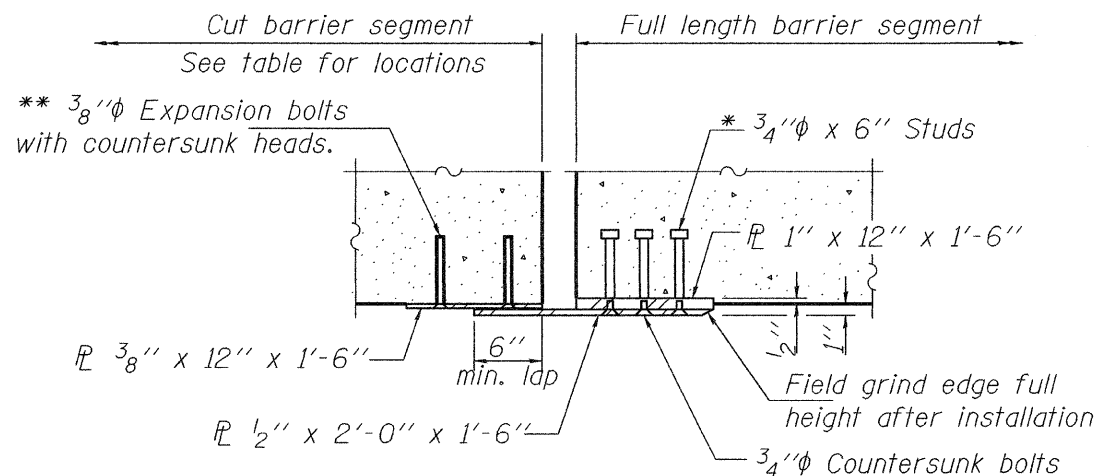


SECTION A-A



SECTION B-B

*** Cut barrier segment to have a minimum length of 5'.
Move barrier joint away from bridge deck joint if necessary
to provide a 5' minimum cut barrier segment



SECTION C-C

* Granular or solid flux filled headed studs conforming to Article 1006.32 of the Std. Specs., automatically end welded.
** Epoxy grout in 6" min. holes according to Article 584 of the Standard Specifications.

Cost of all joint material & installation is included with Safety Barrier, Special.

EXPANSION JOINT LOCATIONS

1	Finger plate joint at Abutment A
2	Neoprene joint 20' east of Pier 4
3	Finger plate joint at Pier 8
4	Finger plate joint 320' west of Pier 10
5	Finger plate joint at Pier 11
6	Neoprene joint at Pier 12
7	Finger plate joint at Pier 13
8	Neoprene joint at Pier 18
9	Neoprene joint at Pier 23
10	Neoprene joint at Pier 28

DESIGNED	VHV
CHECKED	GGE
DRAWN	balva
CHECKED	VHV GGE

FILE NAME =	USER NAME = #USER#	DESIGNED -	REVISED -	STATE OF ILLINOIS DEPARTMENT OF TRANSPORTATION	SCALE:	SHEET NO. 2 OF 2 SHEETS	STA.	TO STA.	BARRIER DETAILS AT EXPANSION JOINTS	F.A.P. RTE.	SECTION	COUNTY	TOTAL SHEETS	SHEET NO.
#FILE#		DRAWN -	REVISED -							799	1-1	ST. CLAIR	15	12
		CHECKED -	REVISED -							CONTRACT NO. 76D14				
		DATE -	REVISED -							ILLINOIS FED. AID PROJECT				