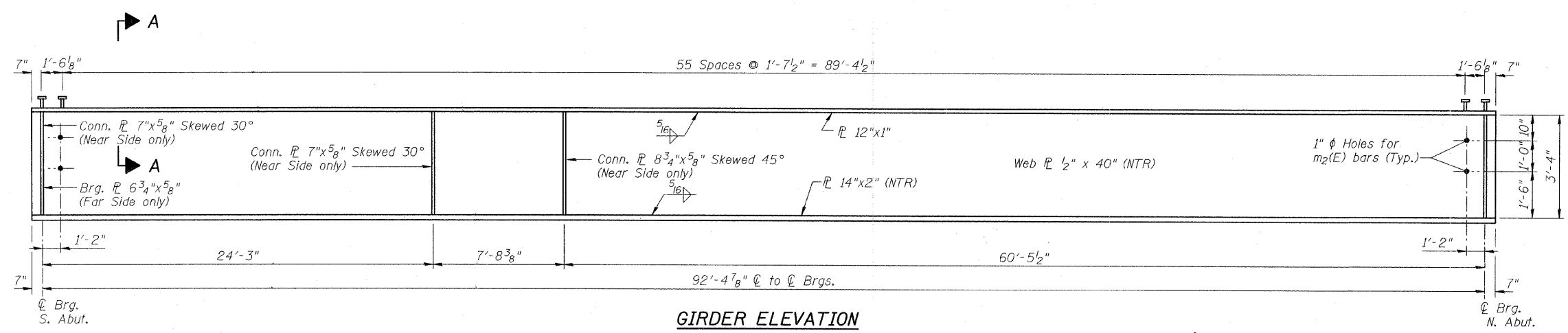
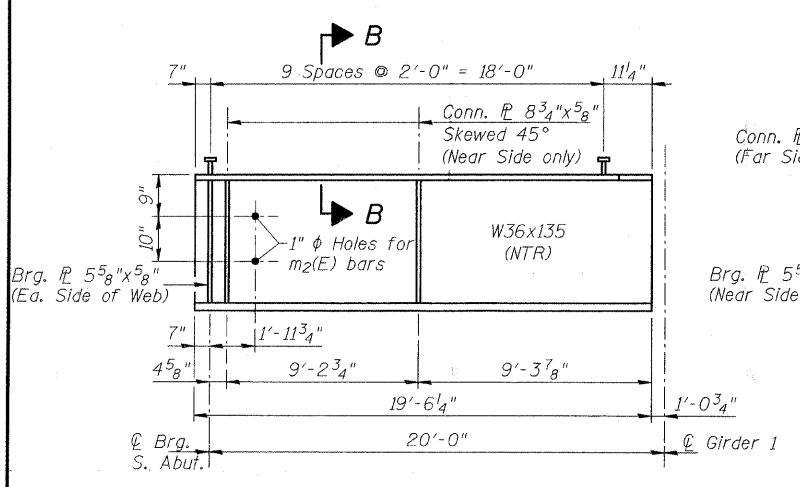


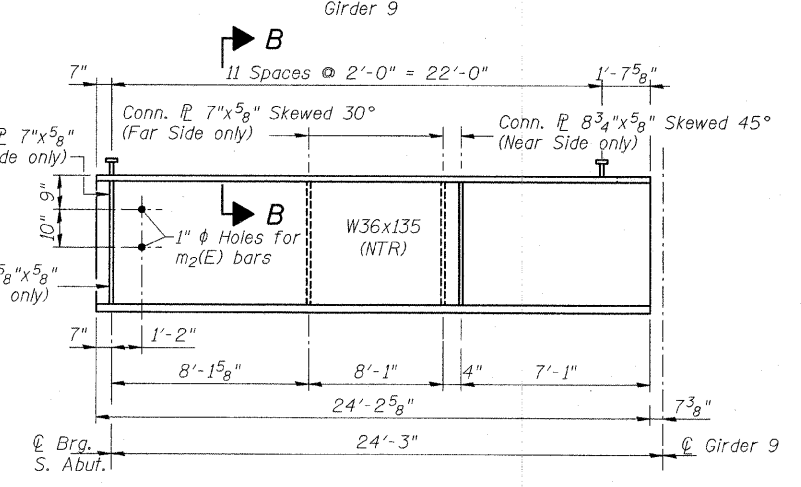
FISCAL YEAR	COUNTY	COUNTY HIGHWAY	TOTAL SHEETS	SHEET NO.
2007	DUPAGE	•	241	116
CONTRACT NUMBER 83908				
SECTION 97-00084-00-BR				
• FAU 3549/ FAU 1432				



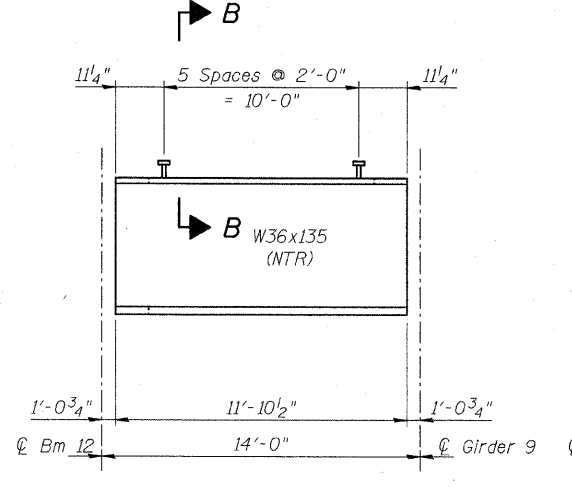
GIRDER ELEVATION
Girder 9



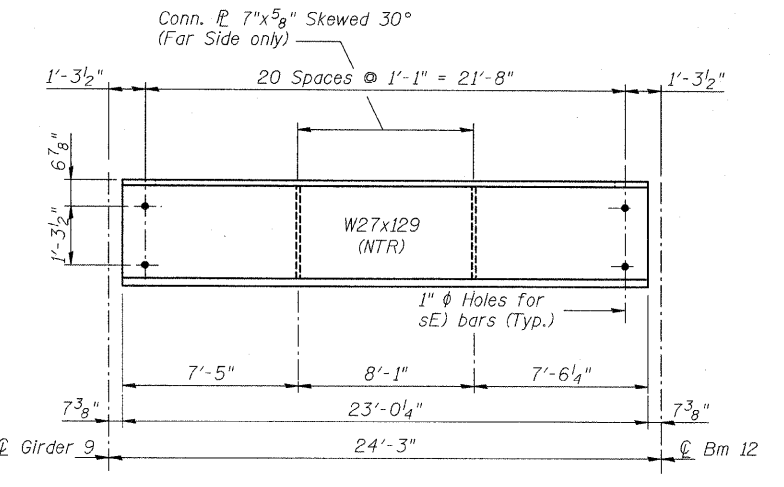
BEAM ELEVATION
Bm 0



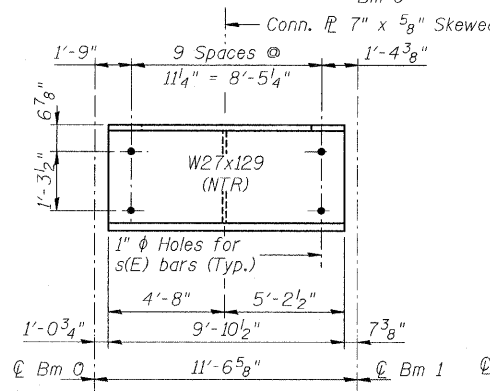
BEAM ELEVATION
Bm 12



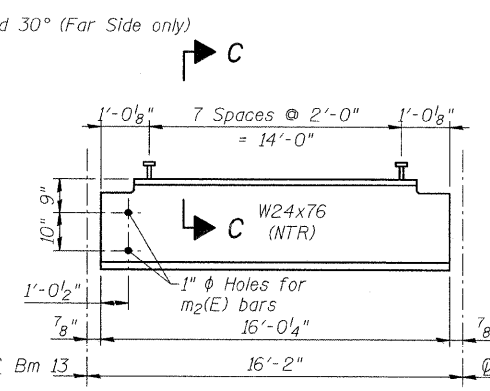
BEAM ELEVATION
Bm 14



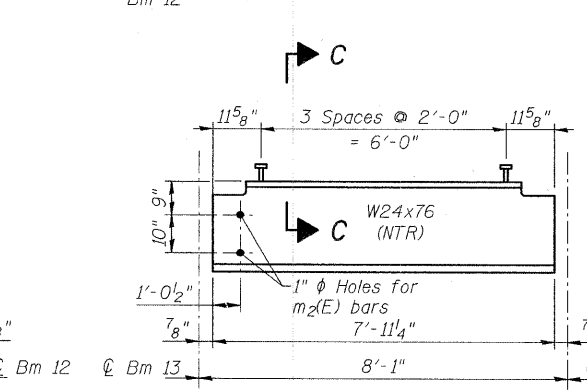
BEAM ELEVATION
Bm 13



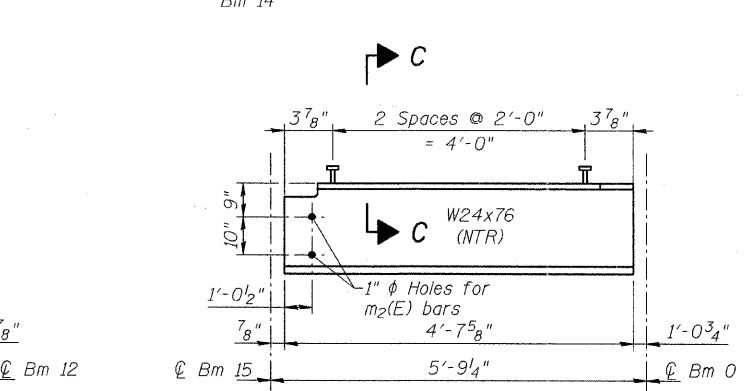
BEAM ELEVATION
Bm 15



BEAM ELEVATION
Bm 10

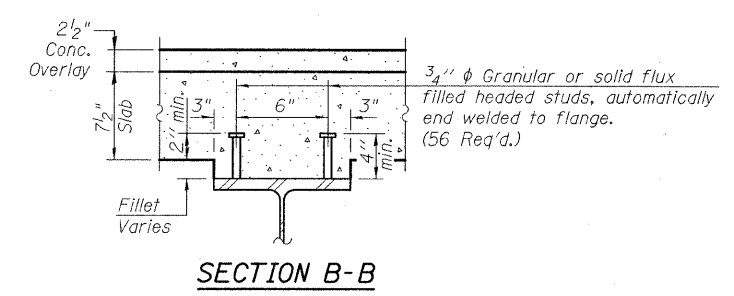


BEAM ELEVATION
Bm 11

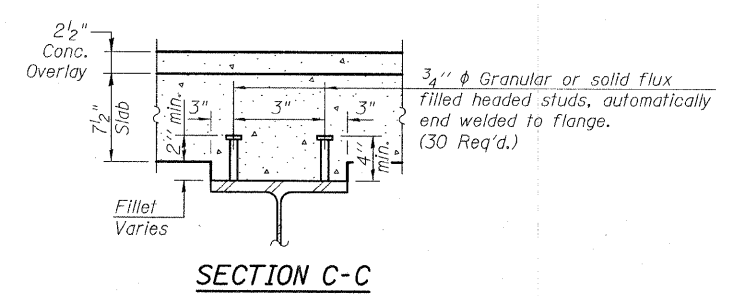


BEAM ELEVATION
Bm 0a

- Notes:
- "NTR" denotes plates to which notch toughness requirements (Zone 2) are applicable.
 - All rolled shapes, webs, flanges, bearing stiffeners and connection plates shall be M270 Gr. 50.
 - See Sht. S-12 for Section A-A.



SECTION B-B



SECTION C-C

HDR
HDR Engineer-Ing, Inc.

CITY OF WHEATON	
MANCHESTER ROAD/ WESLEY STREET OVER UNION PACIFIC RAILROAD	
STEEL DETAILS	
DRAWN	JM
CHECKED	VEVS
APPROVED	BSK
DATE	06/04/2008
SCALE	NONE
SHEET NO.	
S-13	