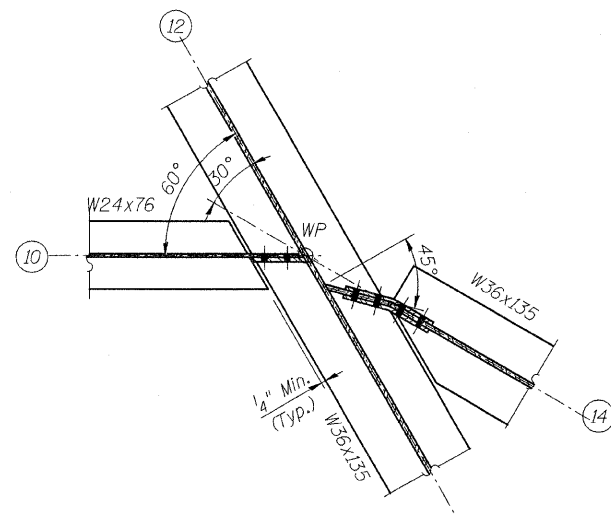
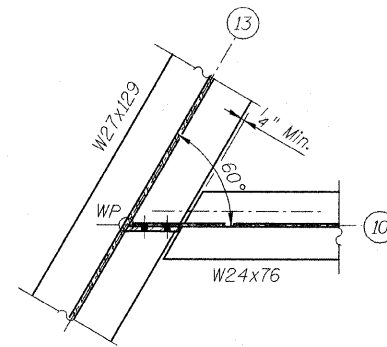


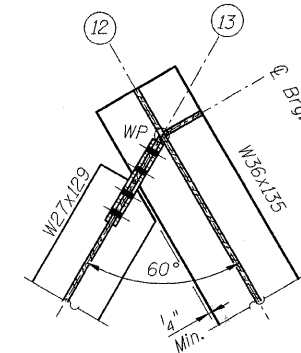
FISCAL YEAR	COUNTY	COUNTY HIGHWAY	TOTAL SHEETS	SHEET NO.
2007	DUPAGE	*	241	118
CONTRACT NUMBER 83908				
SECTION 97-00084-00-BR				
• FAU 3549/ FAU 1432				



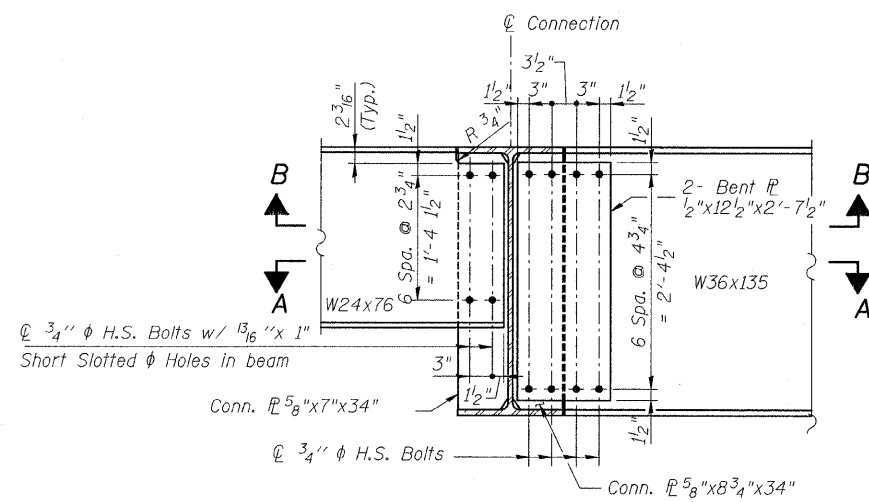
SECTION B-B



SECTION D-D

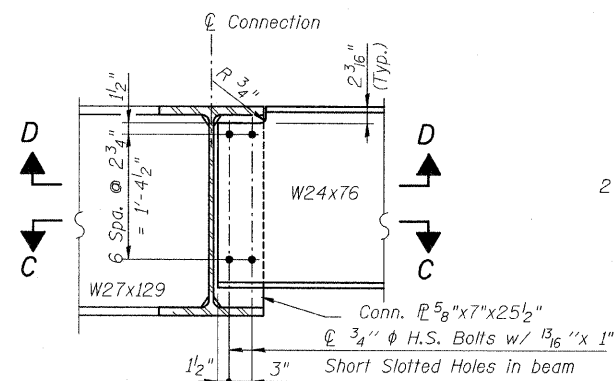


SECTION F-F



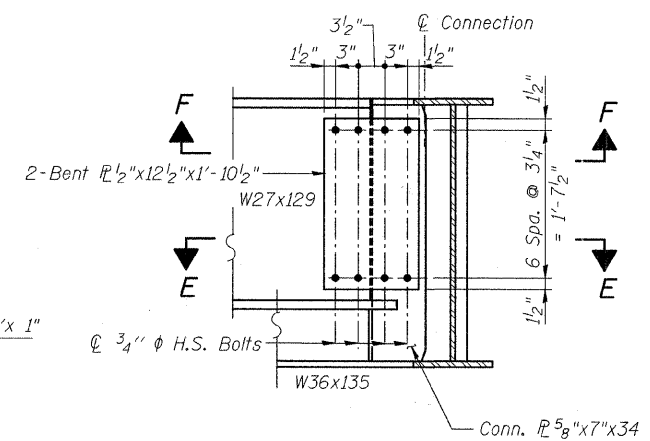
CONNECTION TYPE 3 & TYPE 4

Beam (12) at Beam (10) shown (Conn. Type 4)
Beam (12) at Beam (11) similar

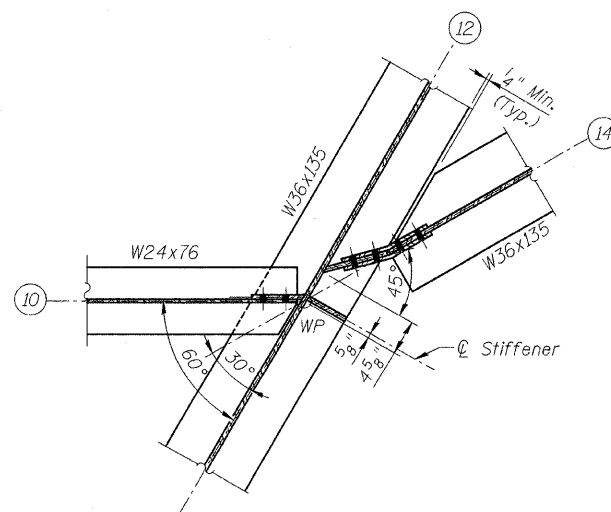


CONNECTION TYPE 5

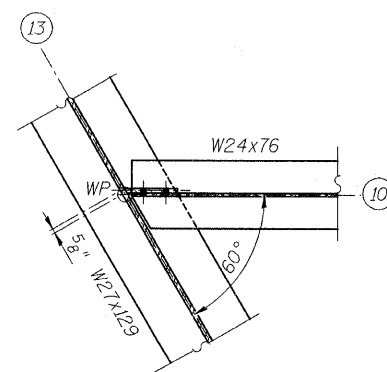
Beam (10) at Beam (13) shown
Beam (11) at Beam (13) } similar
Beam (0a) at Beam (15) }



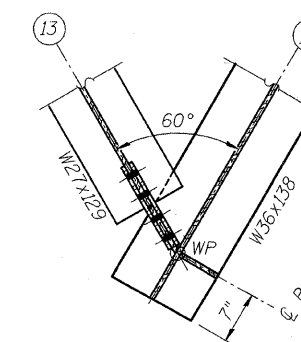
CONNECTION TYPE 6



SECTION A-A



SECTION C-C



SECTION E-E

Notes:

1. For Connection Details Type 1 and 2, see Sht. S-14.
2. For Connection Details Type 7 thru 9, see Sht. S-16.
3. All Connection Plates shall be M270 Gr. 50 (NTR).

SECTION G-G

CITY OF WHEATON	
MANCHESTER ROAD/ WESLEY STREET OVER UNION PACIFIC RAILROAD	
STEEL DETAILS	
DRAWN	JM
CHECKED	VEVS
APPROVED	BSK
DATE	06/04/2008
SCALE	NONE
SHEET NO.	
S-15	

HDR
HDR Engineering, Inc.