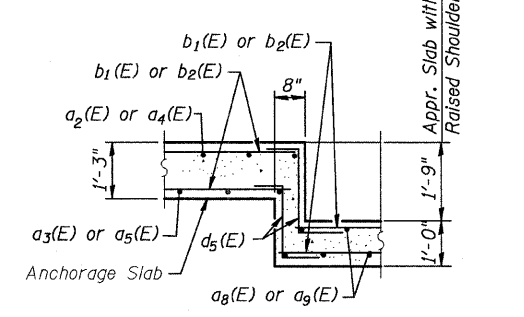
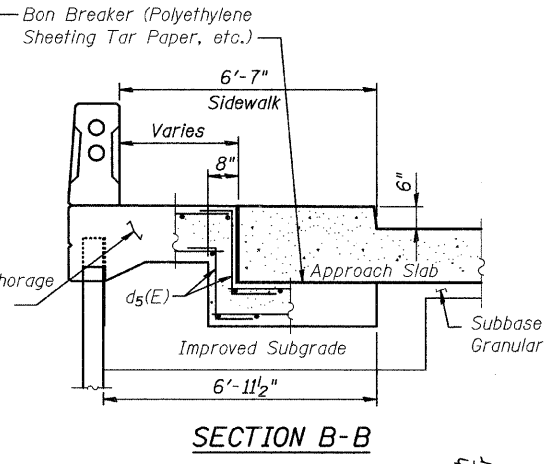
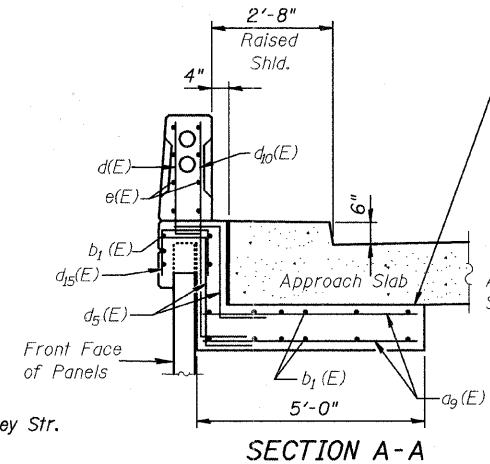
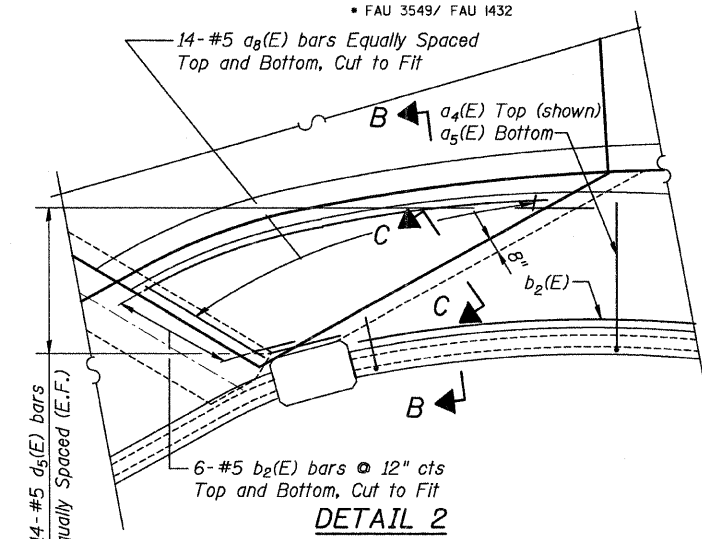
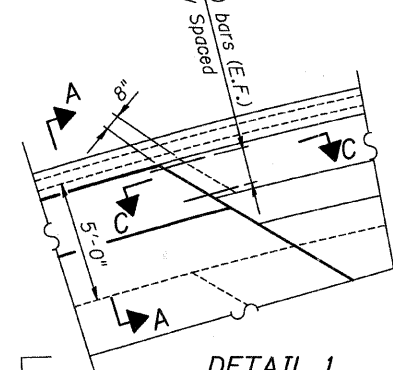
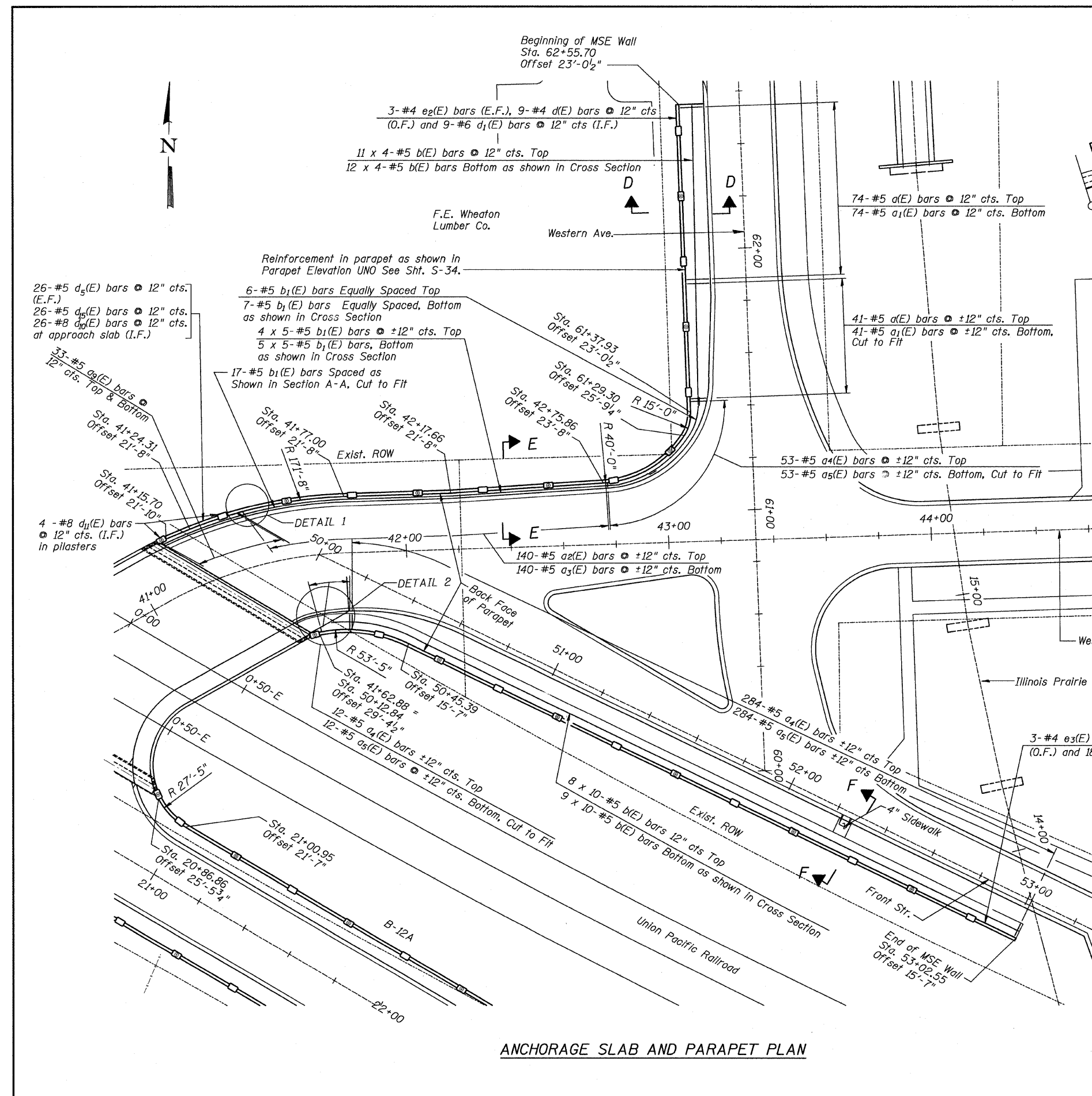


FISCAL YEAR	COUNTY	COUNTY HIGHWAY	TOTAL SHEETS	SHEET NO.
2007	DUPAGE		241	134
CONTRACT NUMBER 83908				
SECTION 97-00084-00-BR				
FAU 3549/ FAU 1432				



MIN LAP
#5 - 1'-10"

- Notes:
1. See Sht. S-34 for Pilaster and parapet reinforcement.
 2. Bars indicated thus 9 x 2-#5 etc. indicates 9 lines of bars with 2 lengths per line.
 3. For Section D-D, E-E, and F-F, See Sht. S-32.
 4. For approach slab reinforcement, see Sht. S-25.

ANCHORAGE SLAB AND PARAPET PLAN

CITY OF WHEATON	
MANCHESTER ROAD/ WESLEY STREET OVER UNION PACIFIC RAILROAD	
MSE RETAINING WALL WESLEY ST. AND FRONY ST.	
DRAWN	JM
CHECKED	VEVS
APPROVED	BSK
DATE	06/04/2008
SCALE	NONE
SHEET NO. S-31	

