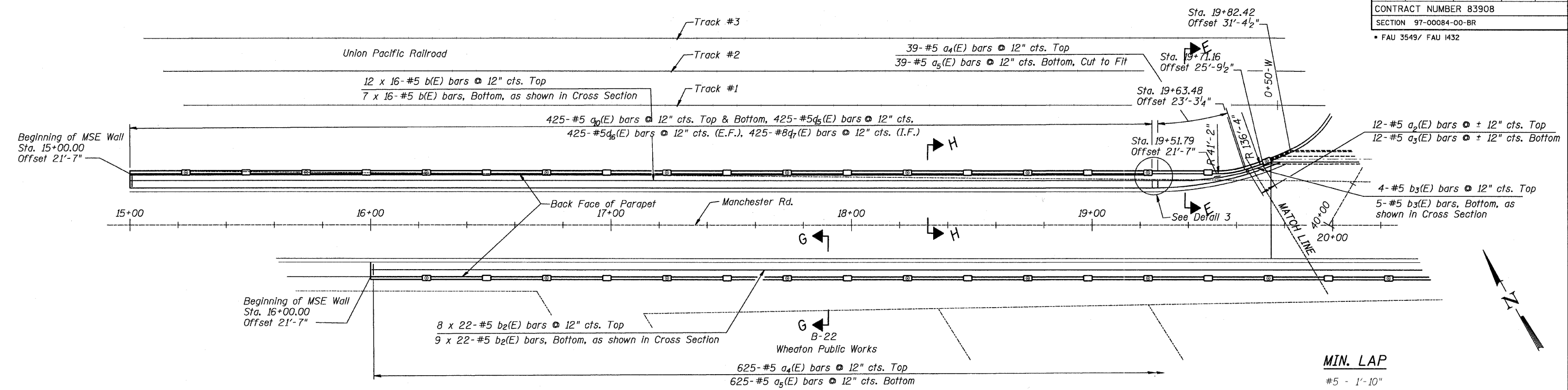
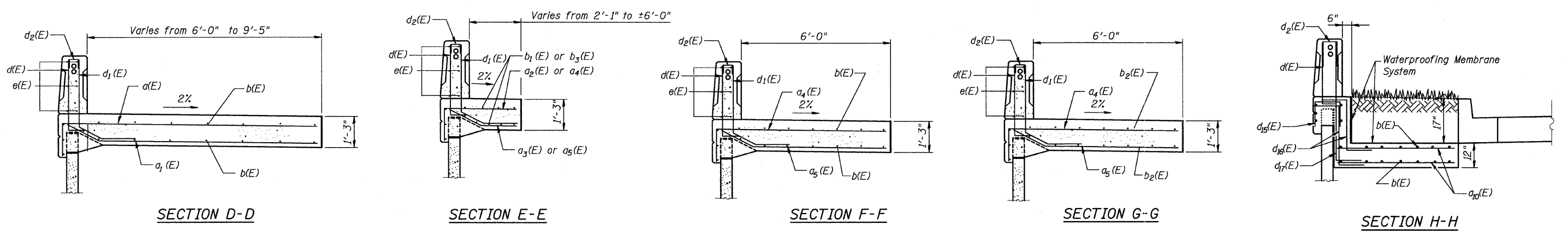


FISCAL YEAR	COUNTY	COUNTY HIGHWAY	TOTAL SHEETS	SHEET NO.
2007	DUPAGE	•	241	135
CONTRACT NUMBER 83908				
SECTION 97-00084-00-BR				
• FAU 3549/ FAU 1432				



**ANCHORAGE SLAB AND PARAPET PLAN**



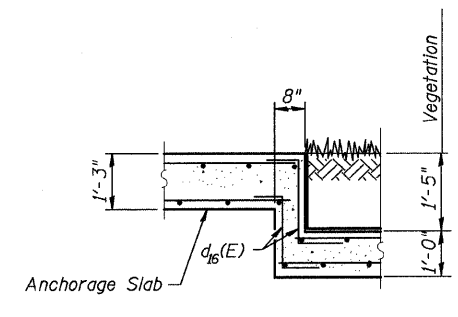
SECTION D-D

SECTION E-E

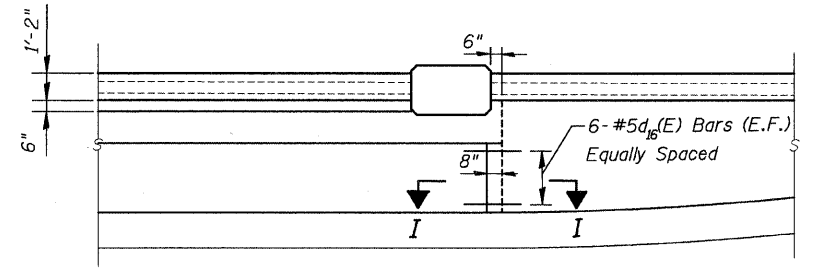
SECTION F-F

SECTION G-G

SECTION H-H



SECTION I-I



DETAIL 3

- Notes:
- See Sht. S-34 for Pilaster and parapet reinforcement.
  - Bars indicated thus 9 x 2-#5 etc. indicates 9 lines of bars with 2 lengths per line.

CITY OF WHEATON		
MANCHESTER ROAD/ WESLEY STREET OVER UNION PACIFIC RAILROAD		
<b>MSE RETAINING WALL MANCHESTER RD.</b>		
DRAWN	JM	SHEET NO.
CHECKED	VEVS	<b>S-32</b>
APPROVED	BSK	
DATE	06/04/2008	
SCALE	NONE	

**HDR**  
HDR Engineering, Inc.