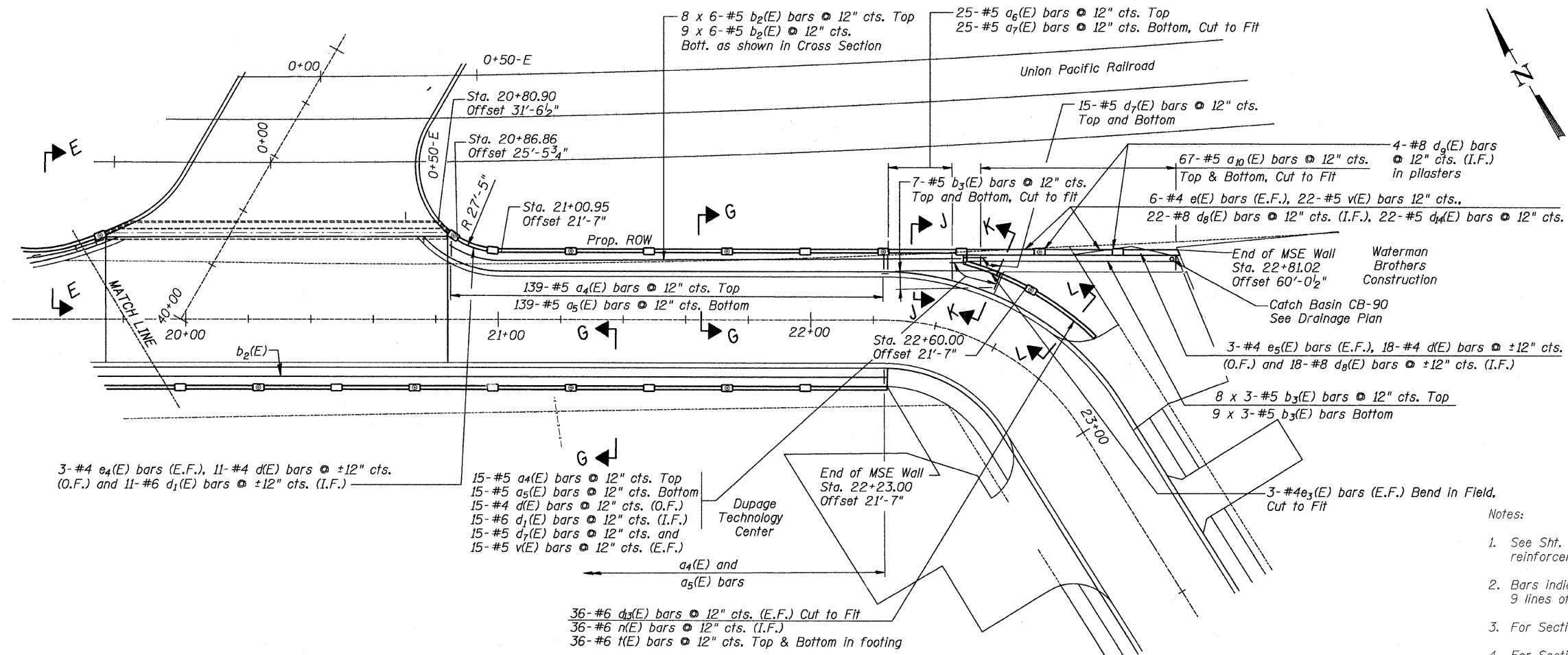


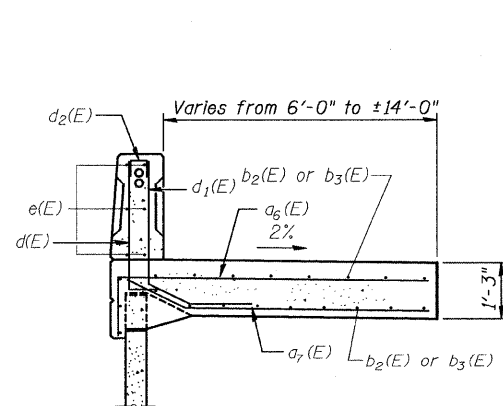
FISCAL YEAR	COUNTY	COUNTY HIGHWAY	TOTAL SHEETS	SHEET NO.
2007	DUPAGE	*	241	136
CONTRACT NUMBER 83908				
SECTION 97-00084-00-BR				
* FAU 3549/ FAU 1432				



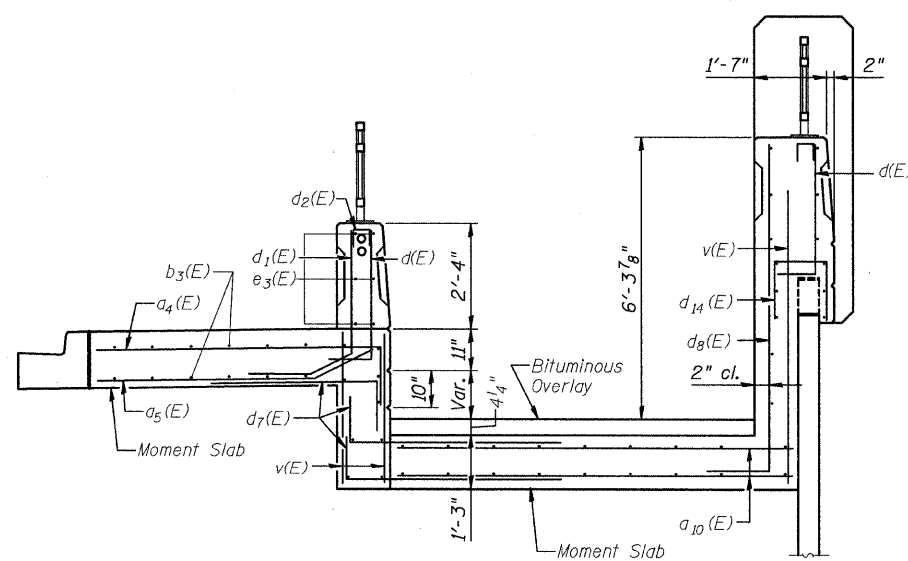
**ANCHORAGE SLAB AND PARAPET PLAN**

- Notes:
1. See Sht. S-34 for Pilaster and parapet reinforcement.
  2. Bars indicated thus 9 x 2-#5 etc. indicates 9 lines of bars with 2 lengths per line
  3. For Section E-E, and G-G, See Sht. S-32.
  4. For Section A-A thru Catch Basin, See Drainage Plans.

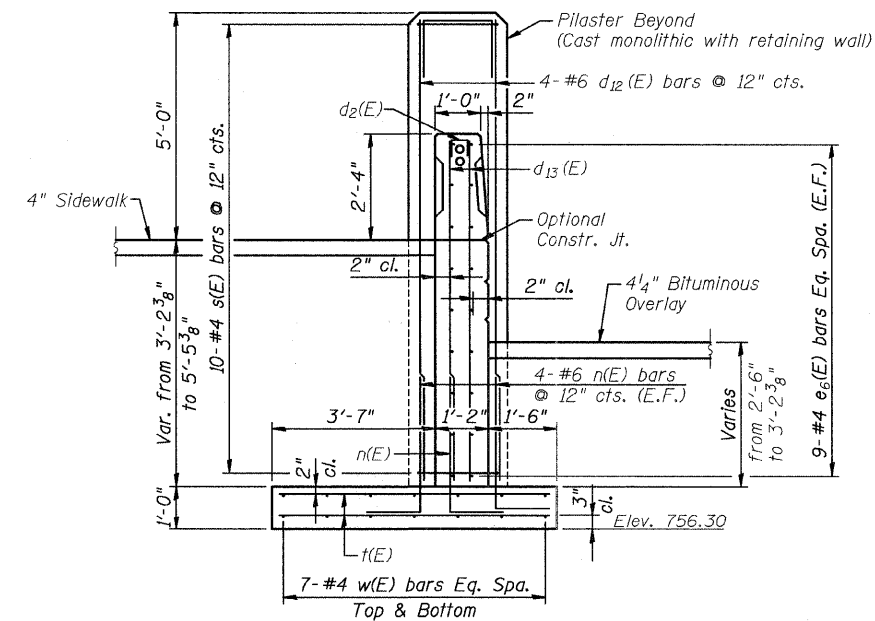
**MIN. LAP**  
#5 - 1'-10"



**SECTION J-J**



**SECTION K-K**



**SECTION L-L**

CITY OF WHEATON		
MANCHESTER ROAD/ WESLEY STREET OVER UNION PACIFIC RAILROAD		
<b>MSE RETAINING WALL MANCHESTER RD.</b>		
DRAWN	JM	SHEET NO.
CHECKED	VEVS	<b>S-33</b>
APPROVED	BSK	
DATE	06/04/2008	
SCALE	NONE	

**HDR**  
HDR Engineering, Inc.