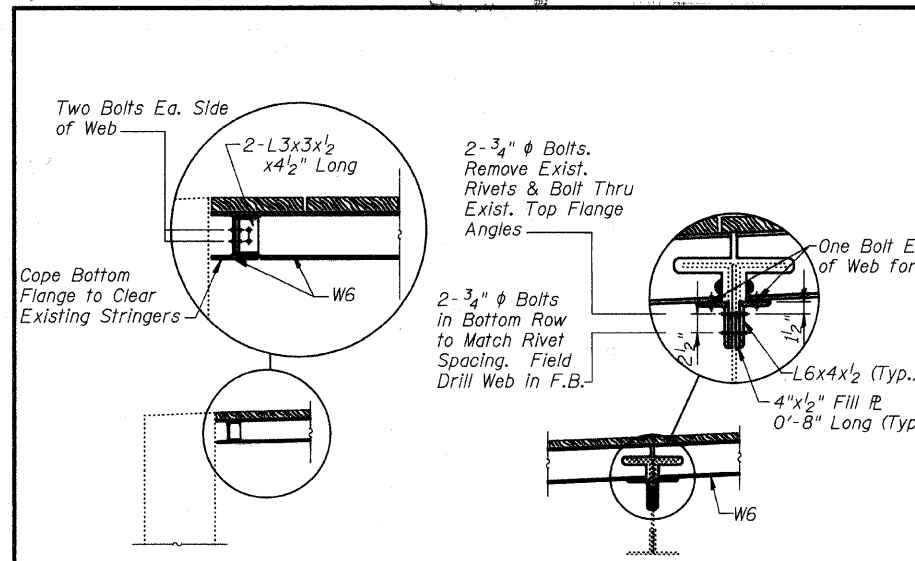
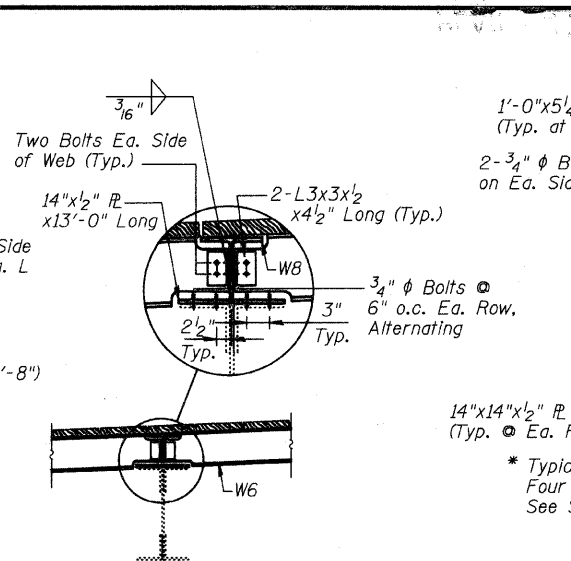


FISCAL YEAR	COUNTY	COUNTY HIGHWAY	TOTAL SHEETS	SHEET NO.
2007	DUPAGE		241	144
CONTRACT NUMBER 83908				
SECTION 97-00084-00-BR				
• FAU 3549/ FAU 1432				

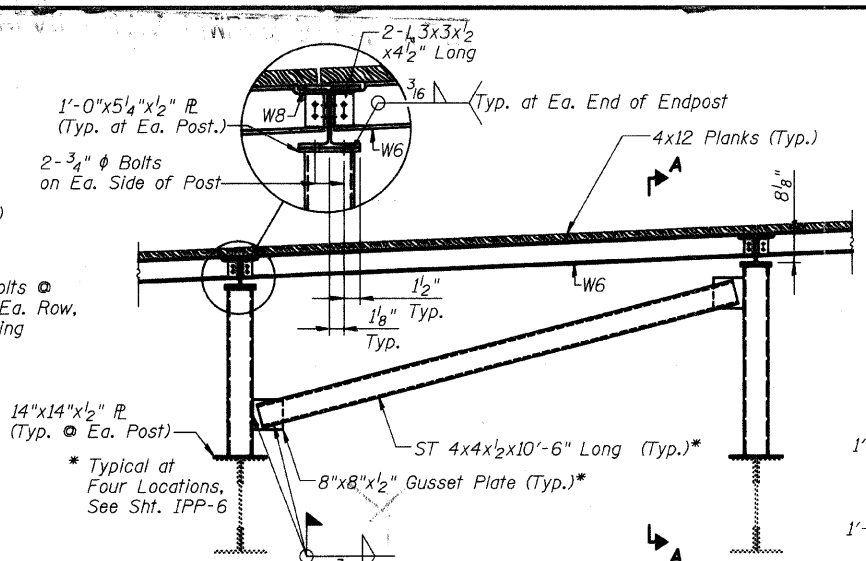


FRAMING DETAIL
(at S. Abutment)

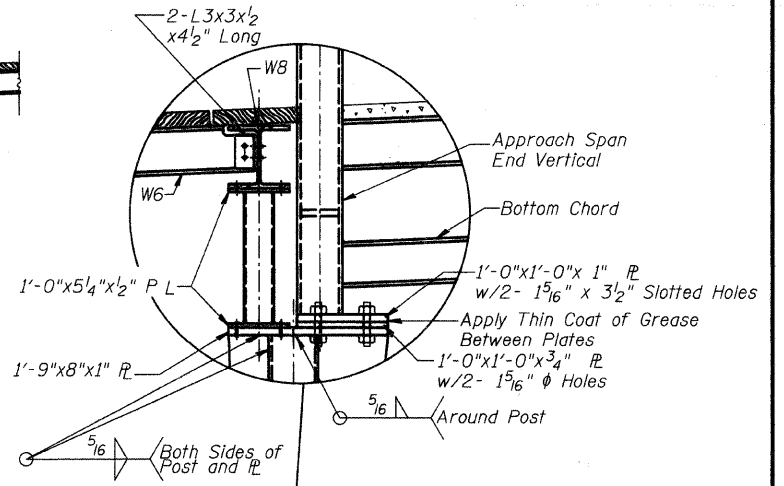
FRAMING DETAIL
(at FB1)



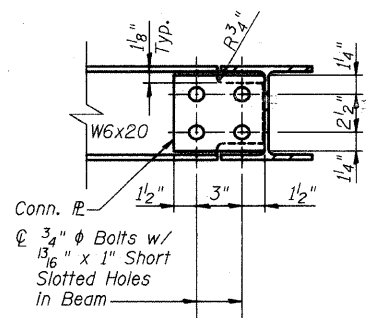
FRAMING DETAIL
(at FB2)



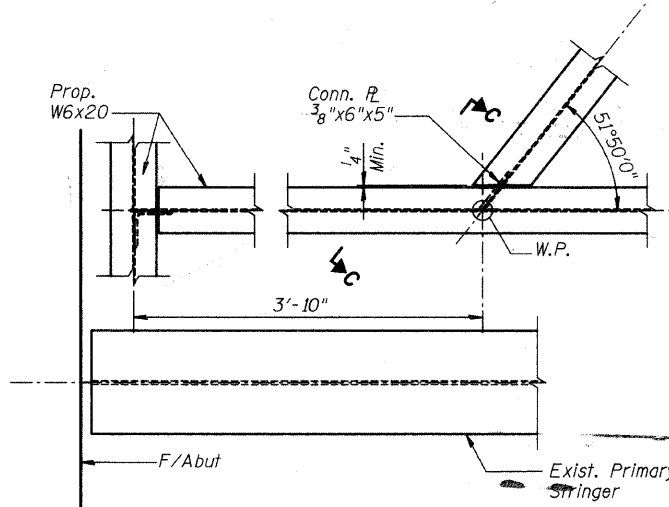
FRAMING DETAIL
(at FB3 thru FB13)



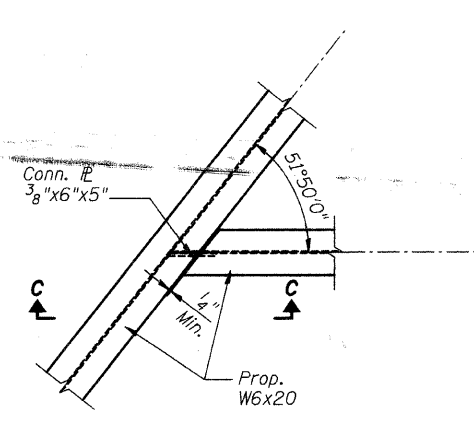
FRAMING DETAIL
(at FB14)



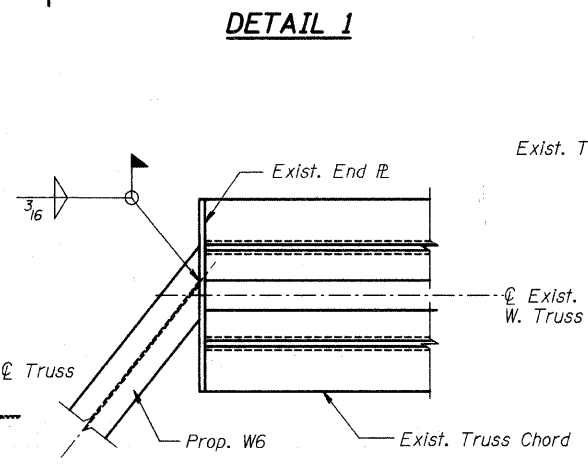
SECTION C-C
Detail 1 shown. Detail 2 opposite.



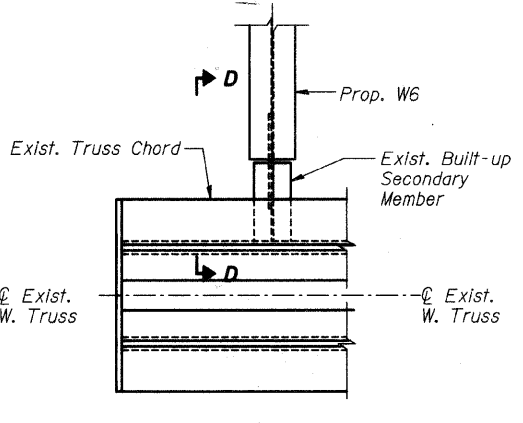
DETAIL 1



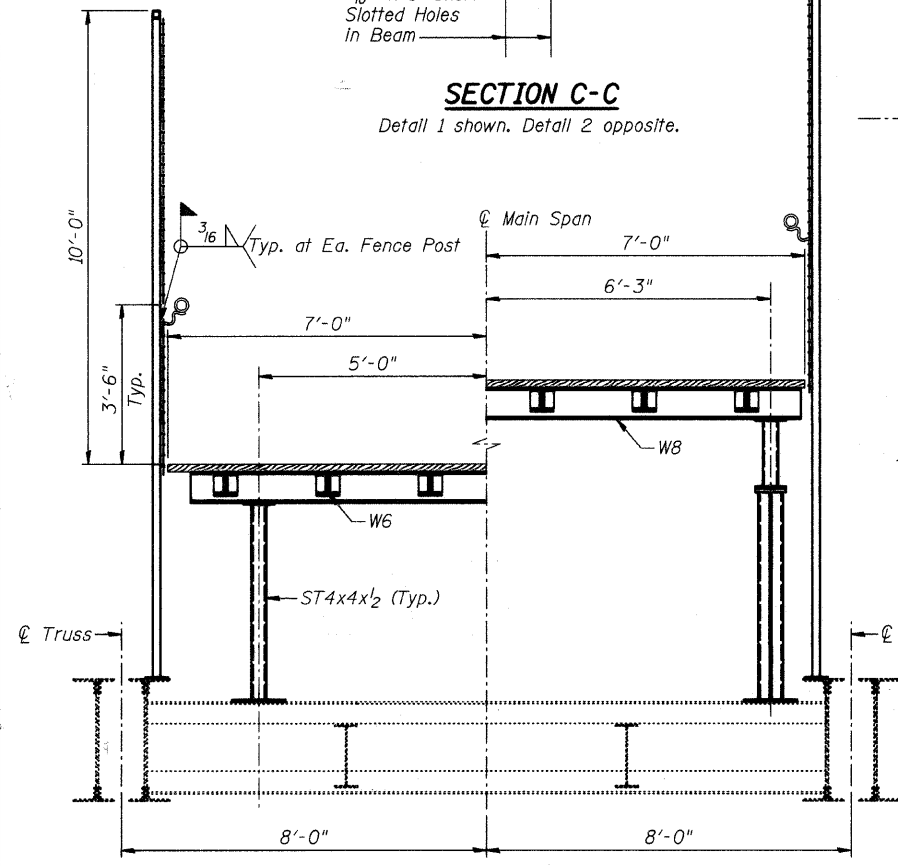
DETAIL 2



DETAIL 3

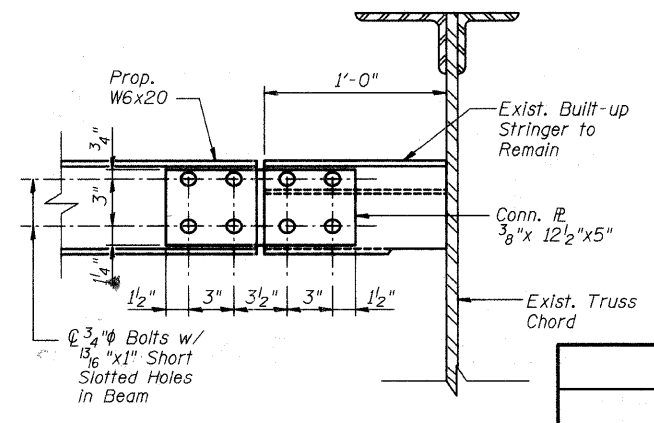


DETAIL 4



SECTION A-A
(Looking North)

SECTION B-B
(Looking North)



SECTION D-D

CITY OF WHEATON		
ILLINOIS PRAIRIE PATH BRIDGE OVER UNION PACIFIC RAILROAD, FRONT STREET AND WESLEY STREET MAIN SPAN PROPOSED DECK MODIFICATIONS DETAILS I		
DRAWN	JM/PES/TV	SHEET NO.
CHECKED	VEVS	IPP-7
APPROVED	BSK	
DATE	06/04/2008	
SCALE	NONE	



I:\Projects\2008\83908\83908-144.dwg 6/2/2008 3:27:28 PM