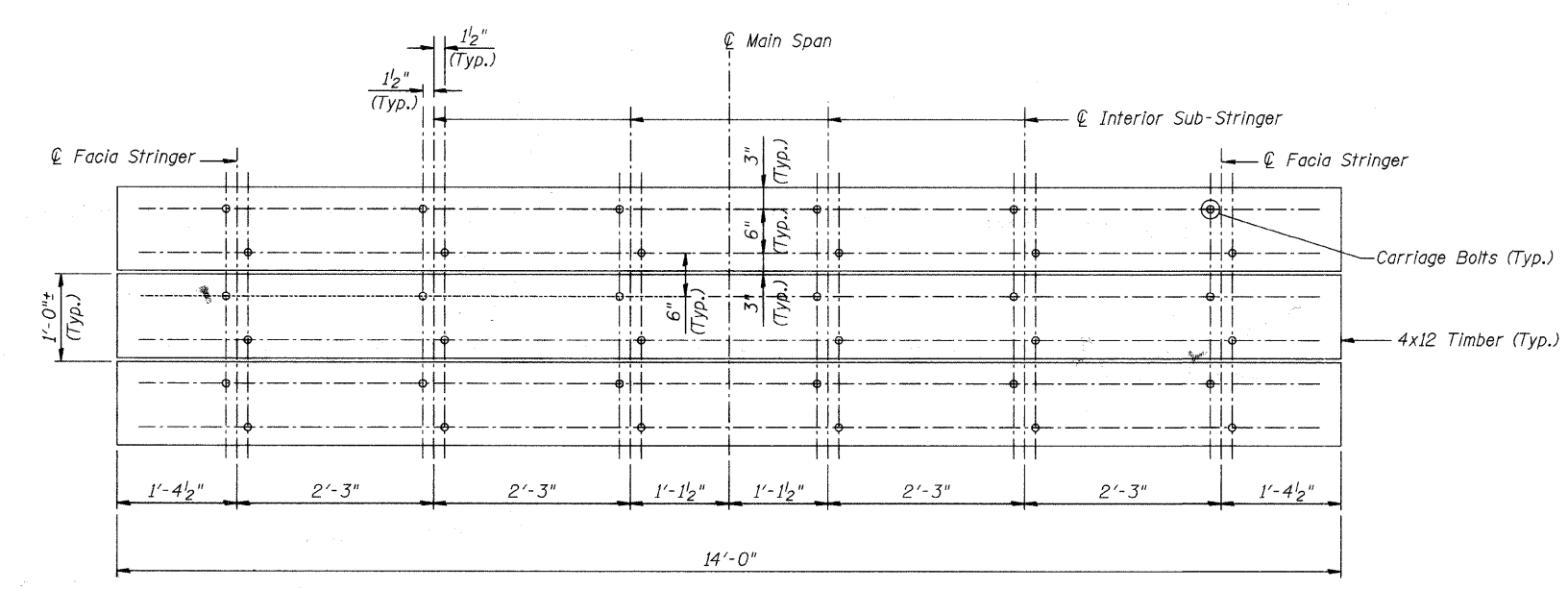


TYP. FENCE DETAILS

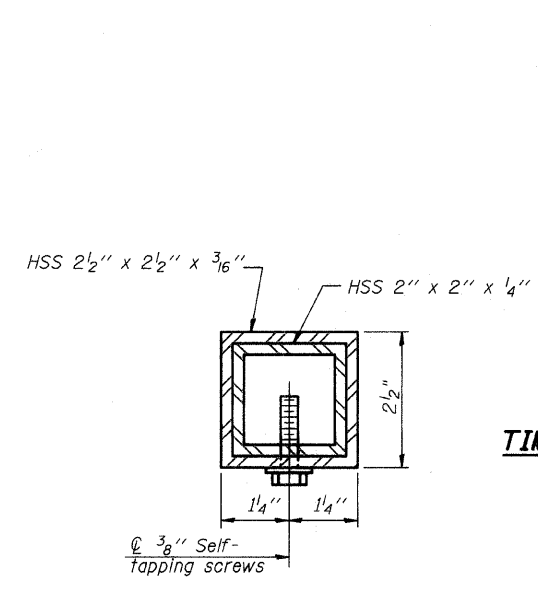


PLAN - TYP. TIMBER ATTACHMENT

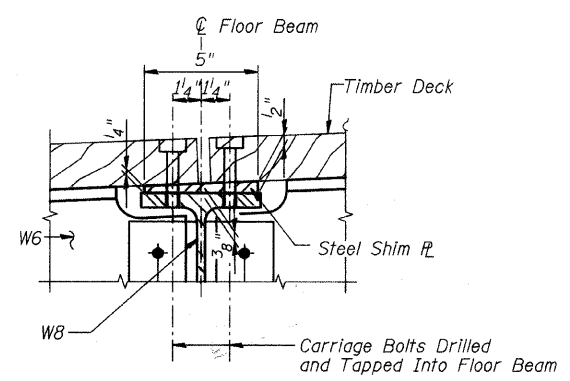
- NOTES:**
1. Cost for Carriage Bolts included in cost for Timber Deck.
 2. The contractor shall field verify the existing fence post size and provide new posts that will fit snug over the existing posts.

BILL OF MATERIAL

| Item | Unit | Quantity |
|--------------------------------|--------|----------|
| Treated Timber | F.B.M. | 8,558 |
| Bicycle Railing, Special | Ft. | 318 |
| Chain Link Fence 10' (Special) | Ft. | 318 |

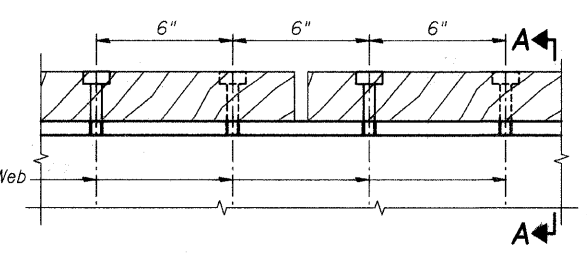


SECTION B-B

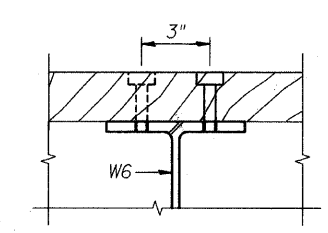


TIMBER ATTACHMENT DETAIL AT FLOOR BEAM

Carriage Bolts Drilled and Tapped Into Stringer, Staggered Across Stringer Web



TIMBER ATTACHMENT DETAIL AT STRINGER



SECTION A-A



| | | |
|--|------------|--------------|
| CITY OF WHEATON | | |
| ILLINOIS PRAIRIE PATH BRIDGE OVER UNION PACIFIC RAILROAD, FRONT STREET AND WESLEY STREET MAIN SPAN PROPOSED DECK MODIFICATIONS DETAILS II | | |
| DRAWN | JM/PES/TV | SHEET NO. |
| CHECKED | VEVS | IPP-8 |
| APPROVED | BSK | |
| DATE | 06/04/2008 | |
| SCALE | NONE | |