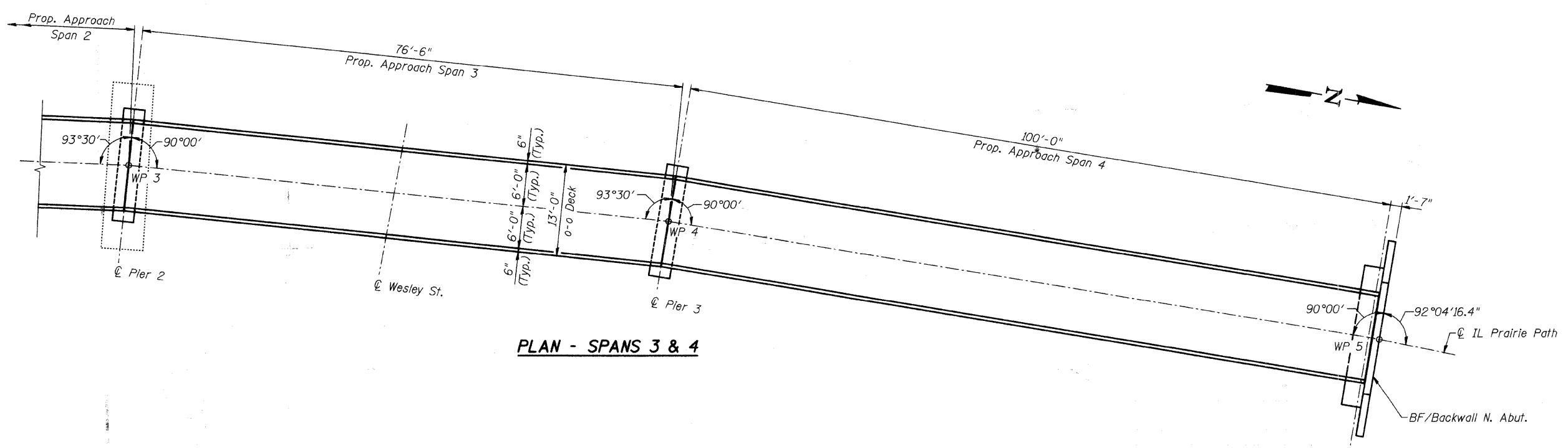
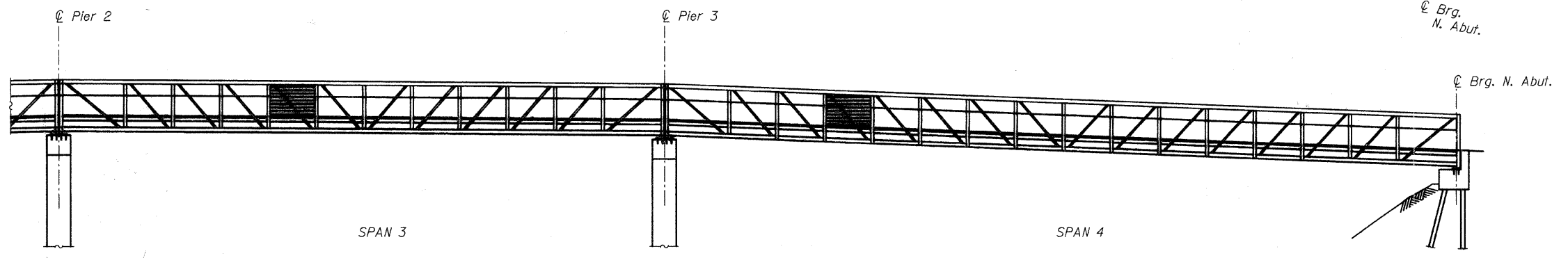


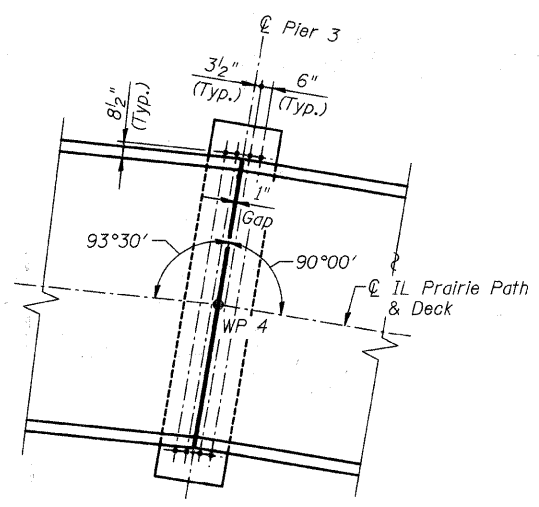
| | | | | |
|------------------------|--------|----------------|--------------|-----------|
| FISCAL YEAR | COUNTY | COUNTY HIGHWAY | TOTAL SHEETS | SHEET NO. |
| 2007 | DUPAGE | * | 241 | 147 |
| CONTRACT NUMBER 83908 | | | | |
| SECTION 97-00084-00-BR | | | | |
| • FAU 3549/ FAU 1432 | | | | |



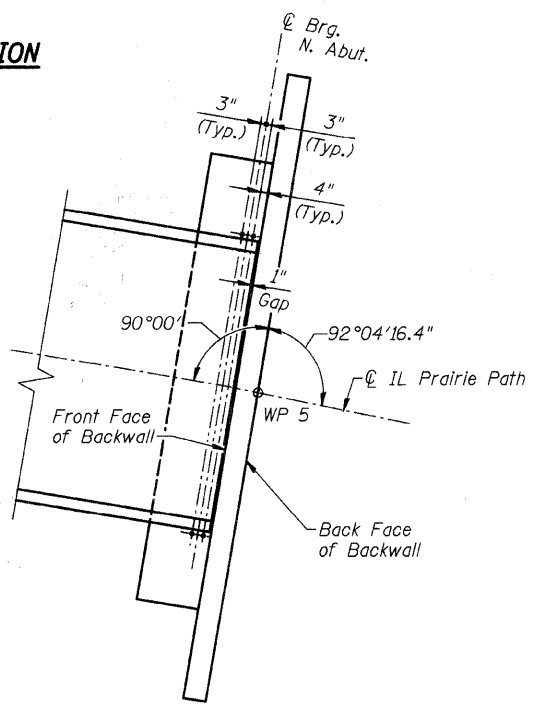
PLAN - SPANS 3 & 4



ELEVATION



DETAIL AT PIER 3



DETAIL AT N. ABUTMENT

NOTES:

1. Final location of Bearing Anchor Bolts to be specified by the Superstructure Manufacture.
2. All new steel shall be painted within 15'-0" of each support pier or abutment in accordance with the Special Provisions.



| | | |
|--|------------|---------------|
| CITY OF WHEATON | | |
| ILLINOIS PRAIRIE PATH BRIDGE OVER UNION PACIFIC RAILROAD, FRONT STREET AND WESLEY STREET | | |
| APPROACH SPANS 3 & 4 PLAN & ELEVATION | | |
| DRAWN | JM/PES/TV | SHEET NO. |
| CHECKED | VEVS | IPP-10 |
| APPROVED | BSK | |
| DATE | 06/04/2008 | |
| SCALE | NONE | |