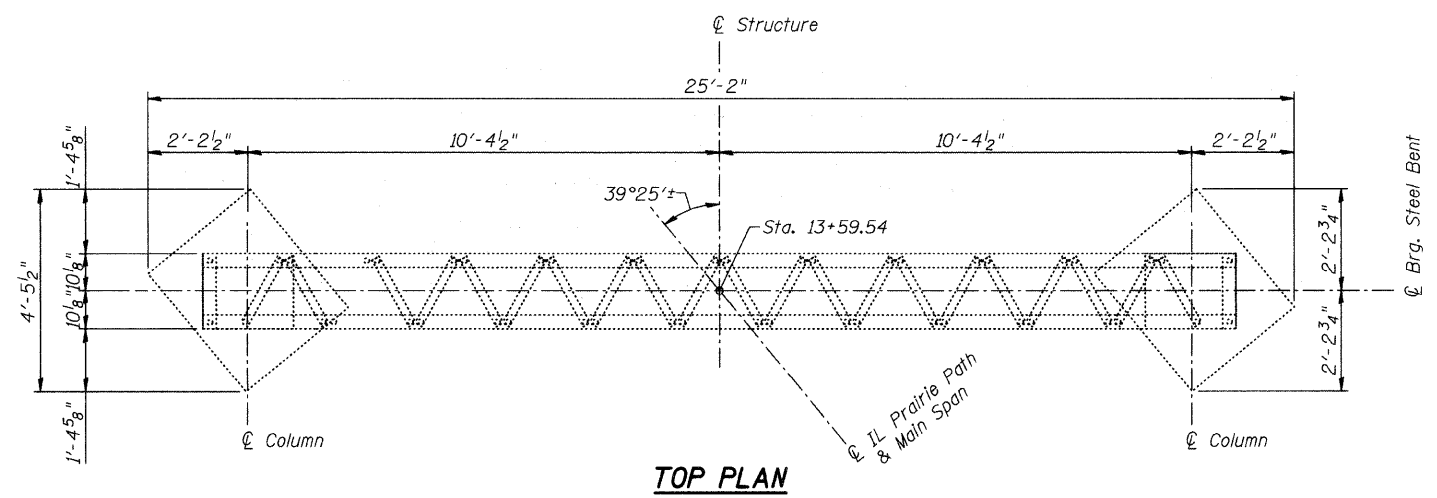


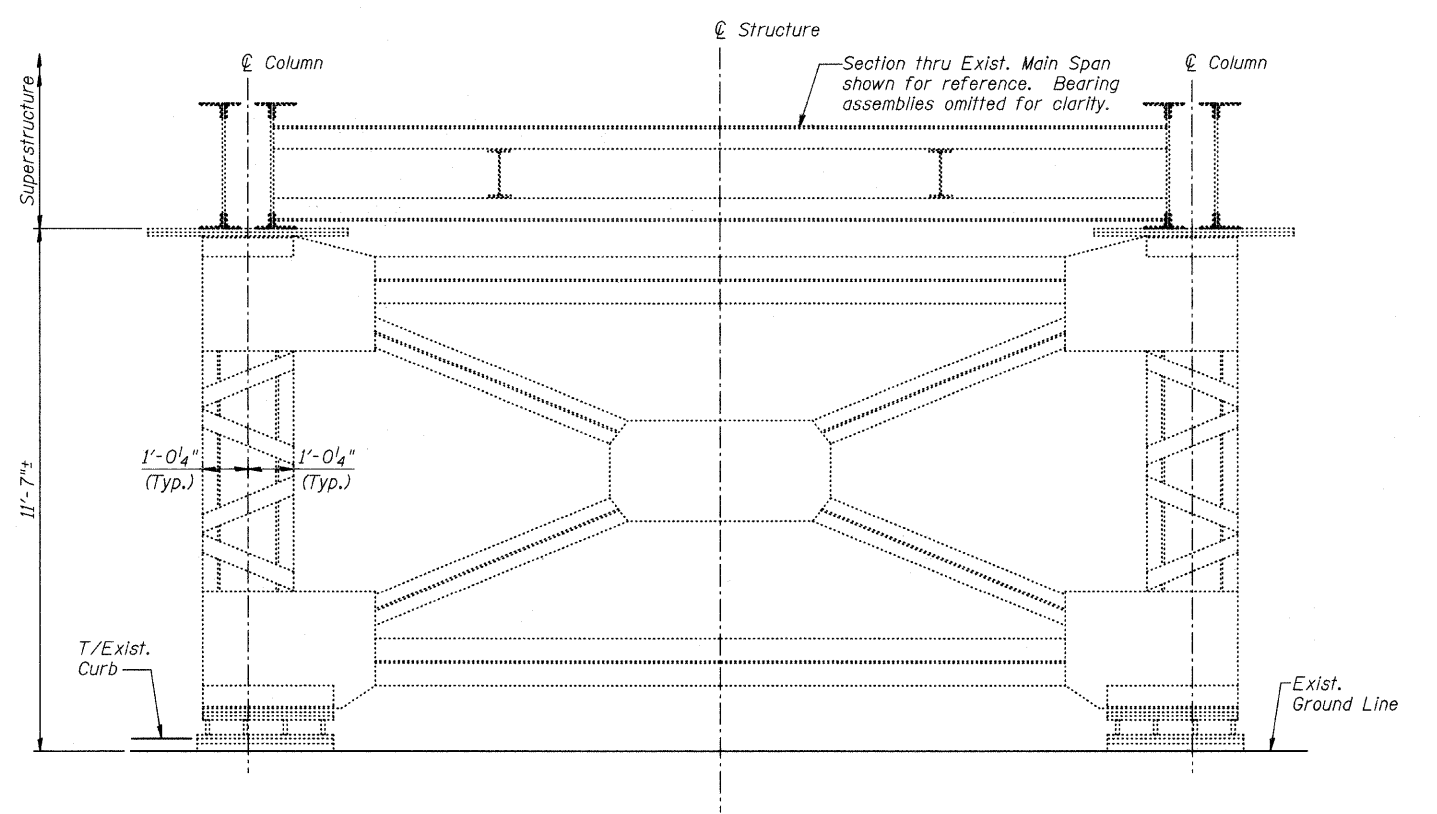
FISCAL YEAR	COUNTY	COUNTY HIGHWAY	TOTAL SHEETS	SHEET NO.
2007	DUPAGE	*	241	155

CONTRACT NUMBER 83908
SECTION 9T-00084-00-BR

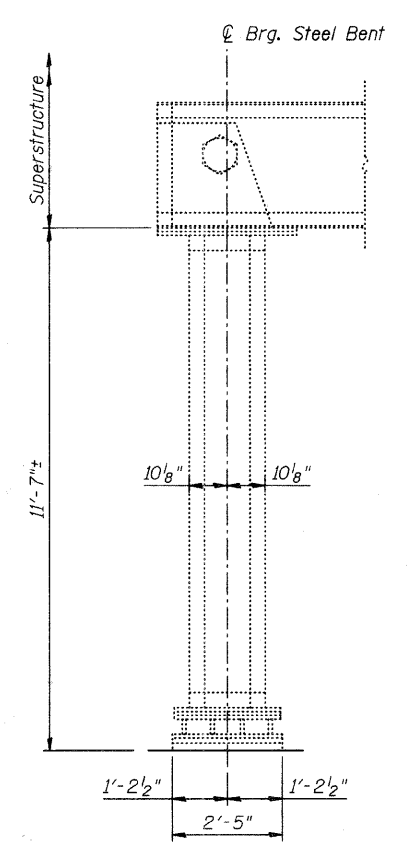
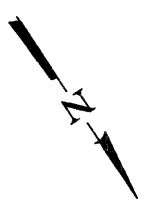
* FAU 3549/ FAU 1432



TOP PLAN



STEEL BENT ELEVATION
(Looking South)



END VIEW

- FOR INFORMATION ONLY -



CITY OF WHEATON	
ILLINOIS PRAIRIE PATH BRIDGE OVER UNION PACIFIC RAILROAD, FRONT STREET AND WESLEY STREET	
EXISTING STEEL BENT DETAILS	
DRAWN	JM/PES/TV
CHECKED	VEVS
APPROVED	BSK
DATE	06/04/2008
SCALE	NONE
SHEET NO. IPP-18	

C:\p07\3031\IPP-18\BENT-DETAIL.DWG 07/27/08 3:28:33 PM