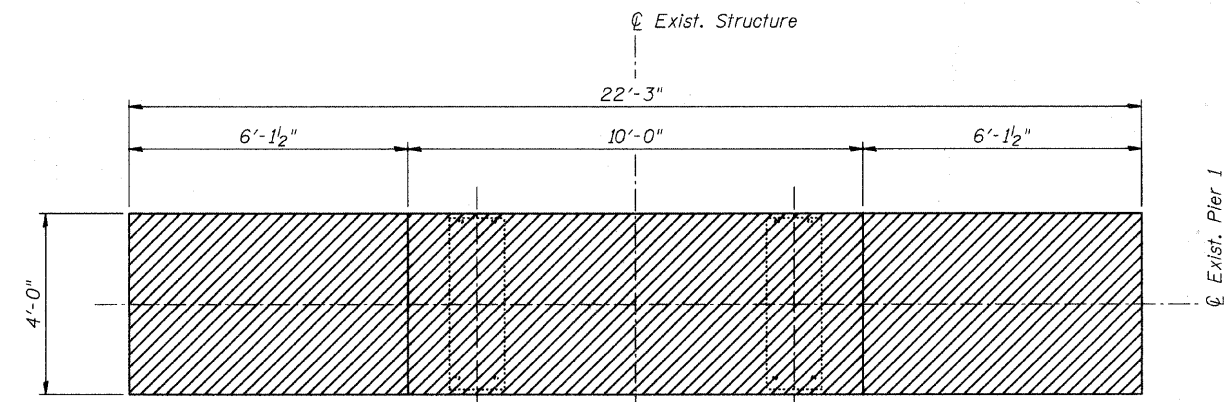


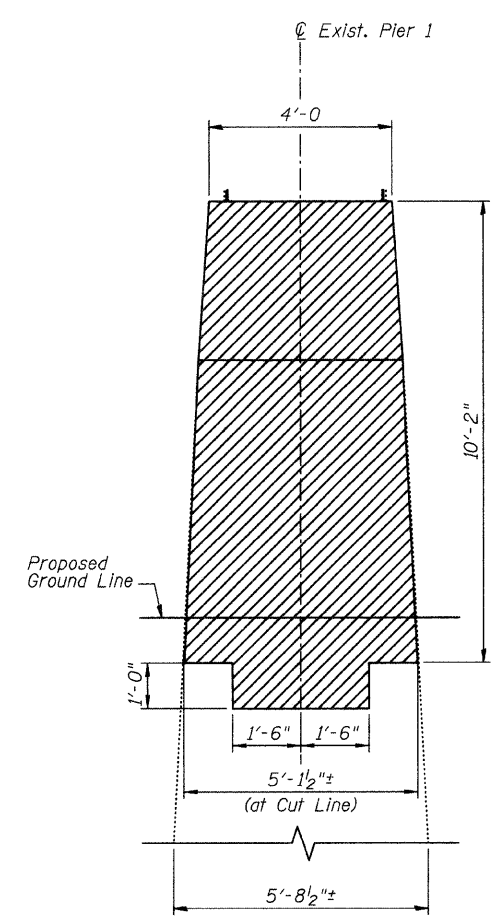
FISCAL YEAR	COUNTY	COUNTY HIGHWAY	TOTAL SHEETS	SHEET NO.
2007	DUPAGE	*	241	157

CONTRACT NUMBER 83908
SECTION 97-00084-00-BR

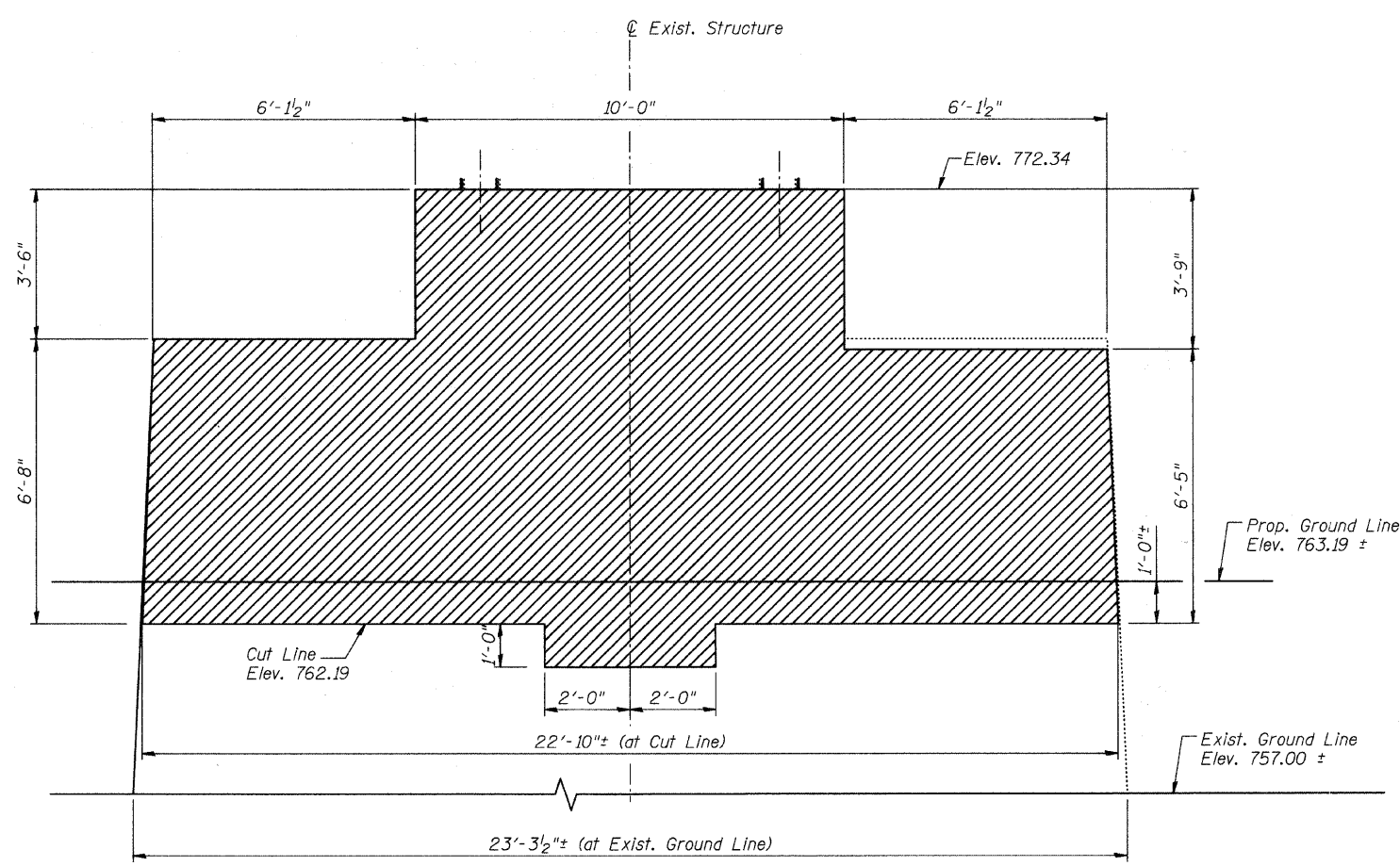
• FAU 3549/ FAU 1432



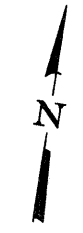
TOP VIEW



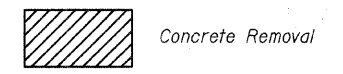
END VIEW



ELEVATION
(Looking North)



LEGEND:



BILL OF MATERIAL

Item	Unit	Quantity
Concrete Removal	Cu. Yd.	32.3

CITY OF WHEATON

ILLINOIS PRAIRIE PATH BRIDGE
OVER UNION PACIFIC RAILROAD,
FRONT STREET AND WESLEY STREET

PIER 1 REMOVAL DETAILS

DRAWN	JM/PES/TV	SHEET NO.
CHECKED	VEVS	IPP-20
APPROVED	BSK	
DATE	06/04/2008	
SCALE	NONE	



D:\PROJECTS\2007\IPP-20\PIER 1\PIER 1.dwg 6/27/2008 3:28:53 PM