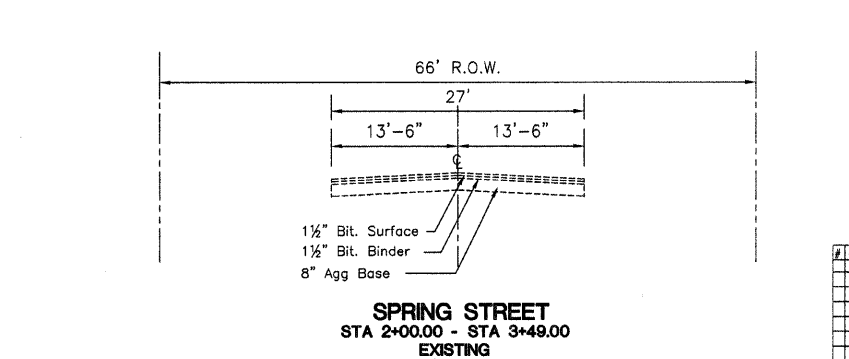
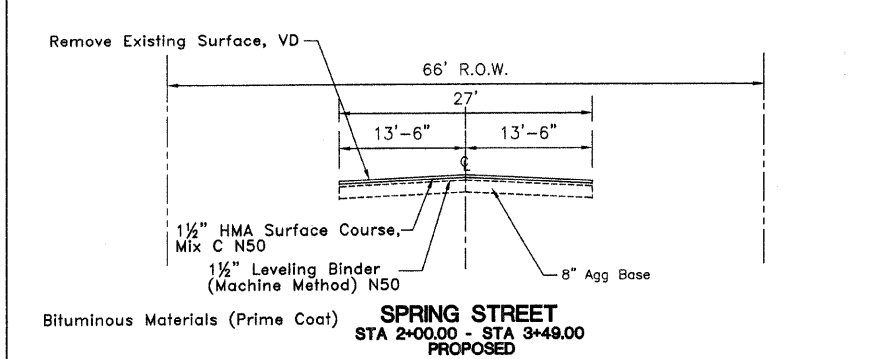
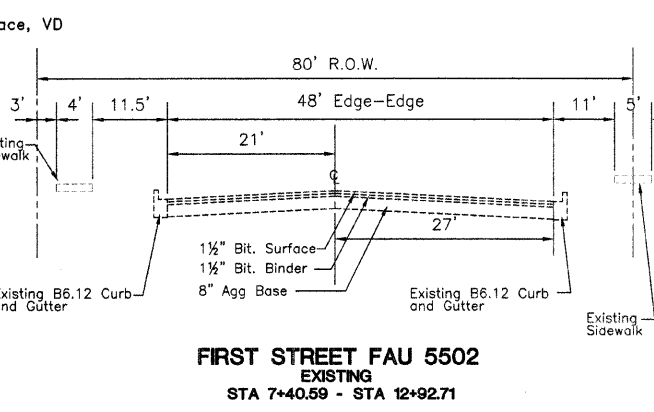
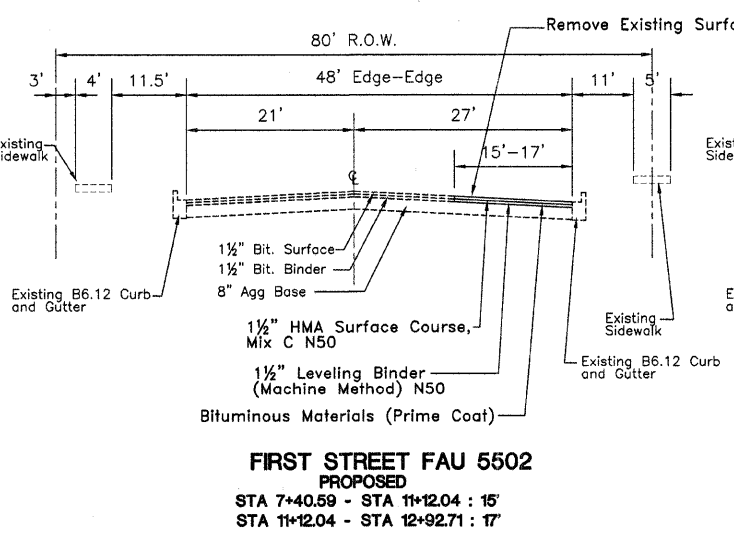
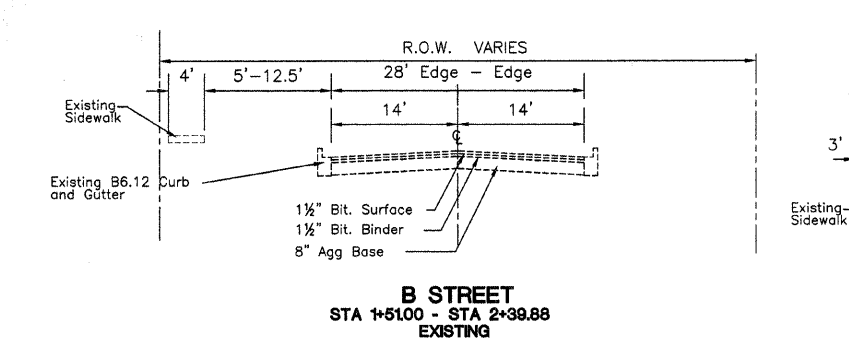
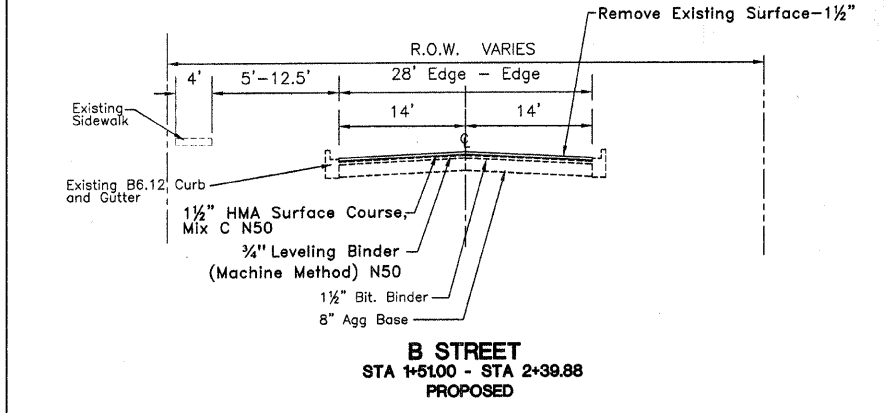
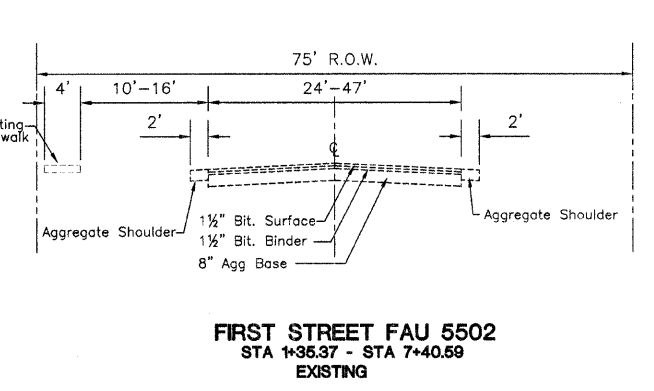
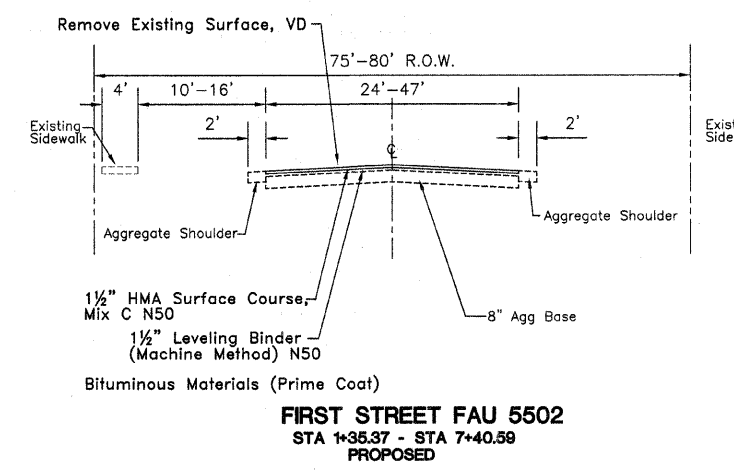
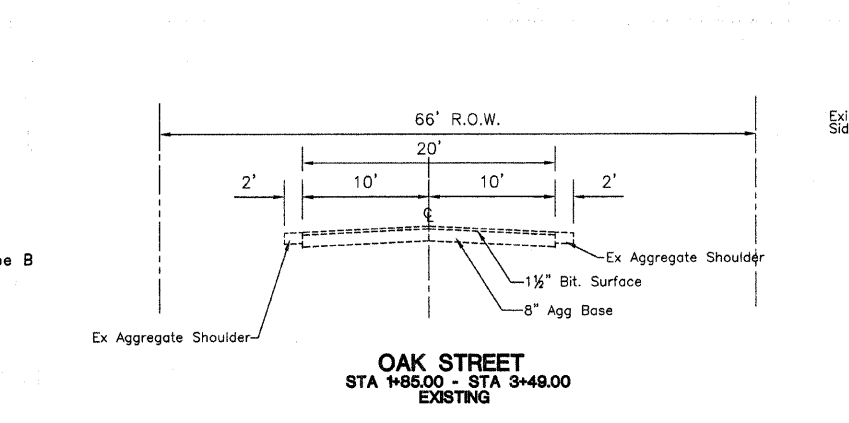
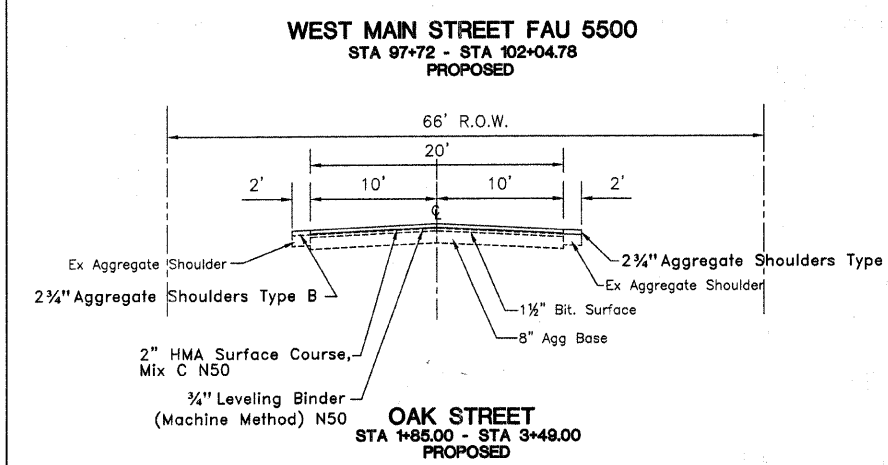
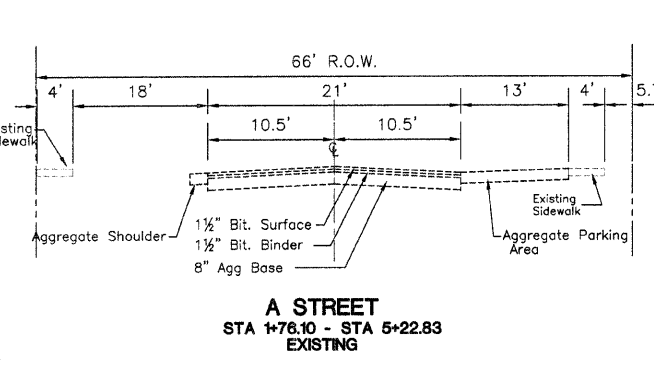
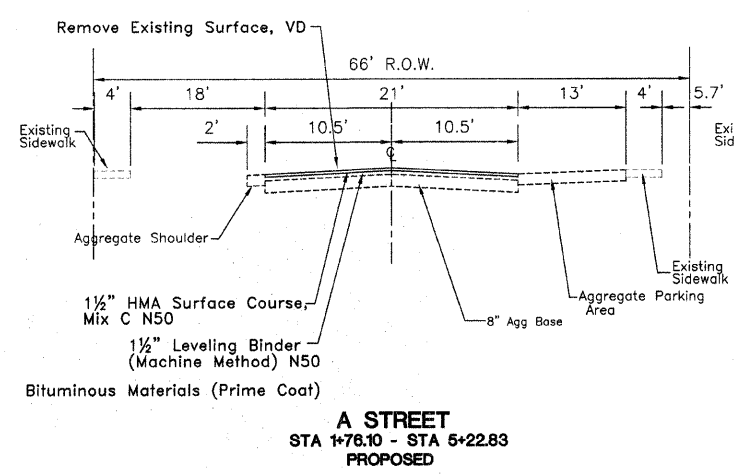
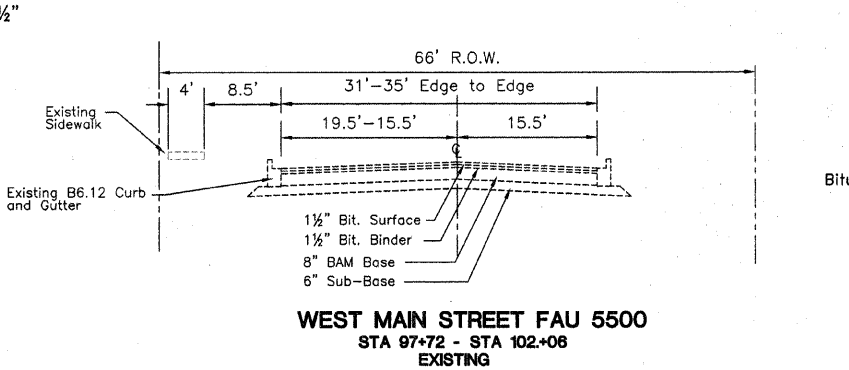
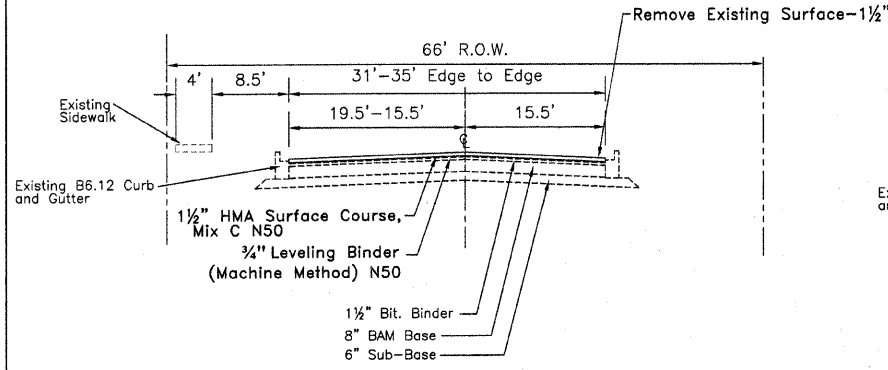
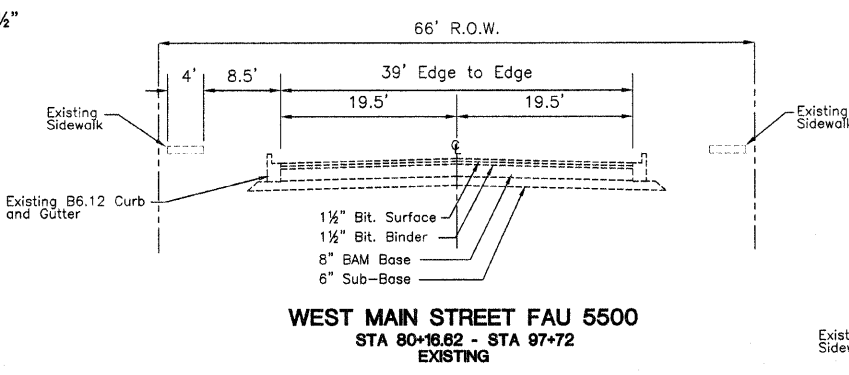
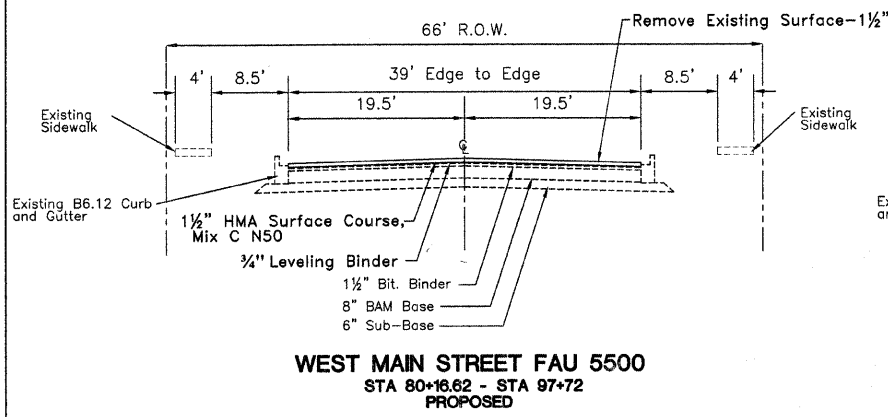


ROUTE NO.	LOCAL AGENCY	COUNTY	SECTION	TOTAL SHEETS	SHEET NO.
FAU 5500 FAU 5502	Genoa	DeKalb	19	14	3
LOCAL AGENCY PAVEMENT PRESERVATION					
CONTRACT: 87405			SECTION: 09-00031-01-RS		



#	DATE	REMARKS

SCHEFLOW ENGINEERS
1814 GRANDSTAND PLACE
ELGIN, ILLINOIS 60123
(847) 697-7095
Firm License No. 184-001104

City of Genoa
LAPP 09-00031-01 RS
West Main Street Resurfacing
Typical Sections

SCALE	DATE
None	3-31-09
DRAWN BY	FILE NO.
E.K.M.	4434
CHECKED BY	SHEET NO.
F.C.C.	3 of 14