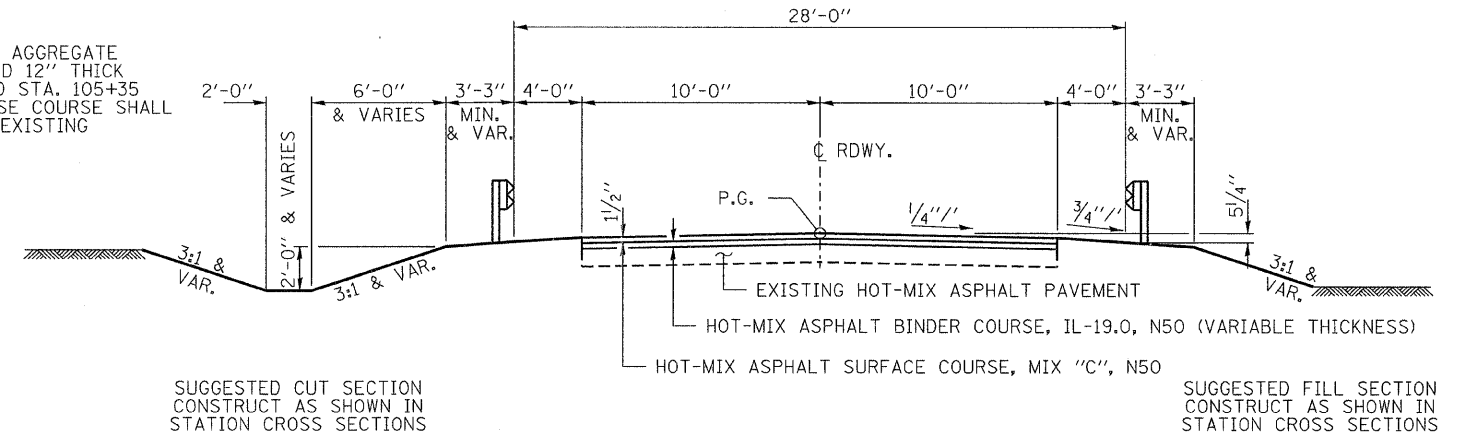


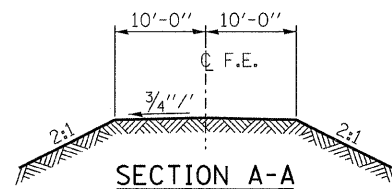
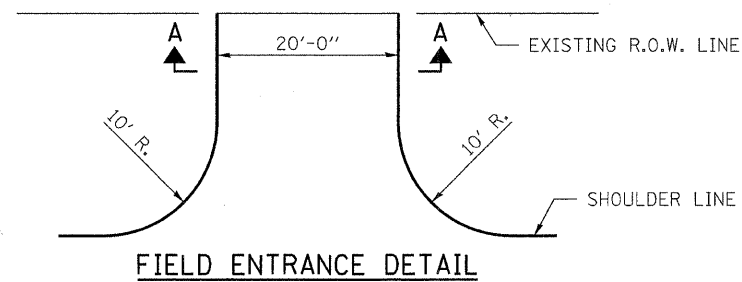
* THE CONTRACTOR SHALL CONSTRUCT AN AGGREGATE BASE COURSE, TYPE B, 22'-0" WIDE AND 12" THICK FROM STA. 104+85 TO STA. 104+95 AND STA. 105+35 TO STA. 105+45. THE TOP OF THE BASE COURSE SHALL BE CONSTRUCTED TO THE TOP OF THE EXISTING PAVEMENT.



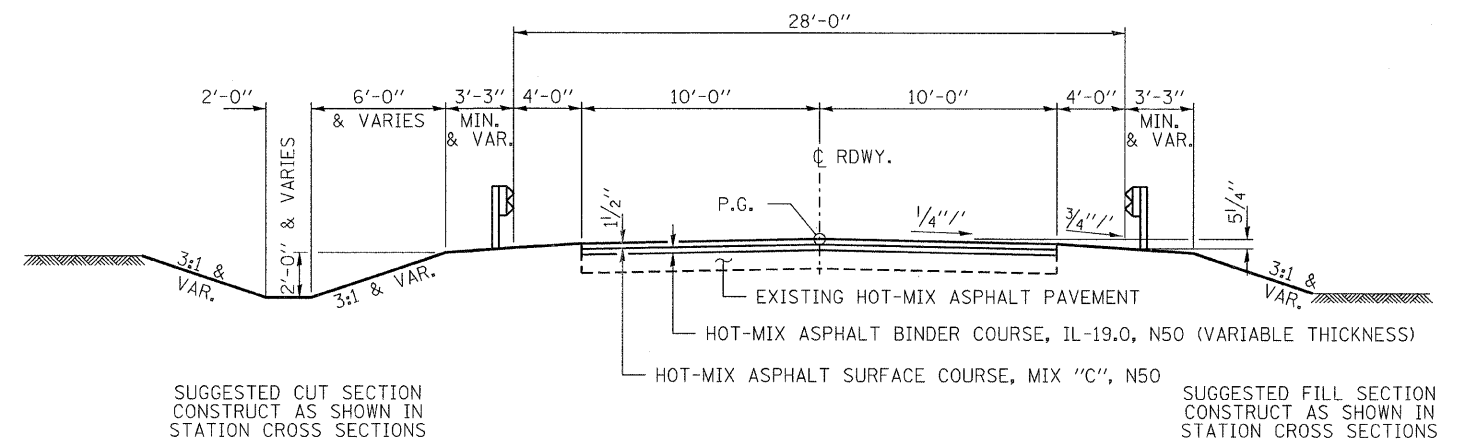
TYPICAL CROSS SECTION - SEC. 09-00106-00-BR

STA. 102+75 TO 107+75*

TRANSITION FROM THE PROPOSED ROADWAY TO THE EXISTING ROADWAY IS TO BE CONSTRUCTED FROM STA. 102+75 TO 103+00 AND STA. 107+50 TO 107+75. SEE SHEET 13 FOR TRANSITION AT BRIDGE.



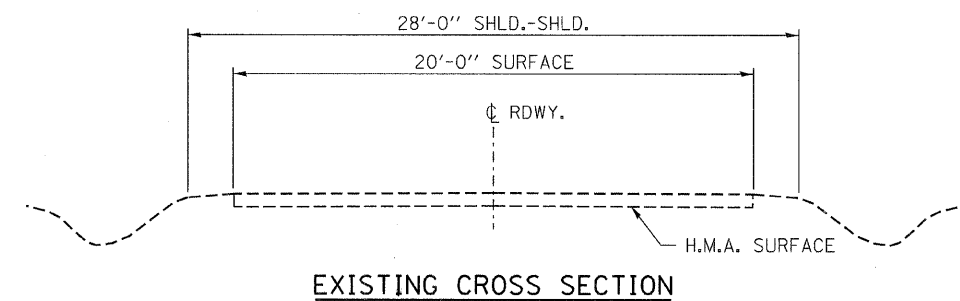
** THE CONTRACTOR SHALL CONSTRUCT AN AGGREGATE BASE COURSE, TYPE B, 22'-0" WIDE AND 12" THICK FROM STA. 4+84.50 TO STA. 4+94.50 AND FROM STA. 5+39.50 TO STA. 5+49.50. THE TOP OF THE BASE COURSE SHALL BE CONSTRUCTED TO THE TOP OF THE EXISTING PAVEMENT.



TYPICAL CROSS SECTION - SEC. 09-00107-00-BR

STA. 3+25 TO 7+25**

TRANSITION FROM THE PROPOSED ROADWAY TO THE EXISTING ROADWAY IS TO BE CONSTRUCTED FROM STA. 3+25 TO 3+50 AND STA. 7+00 TO 7+25. SEE SHEET 22 FOR TRANSITION AT BRIDGE.



FILE NAME = 070432-shl-typsections.dgn	USER NAME =	DESIGNED - J.W.F.	REVISED -
		DRAWN - D.A.B.	REVISED - TWK
	PLOT SCALE =	CHECKED - M.G.B.	REVISED - L.F.S.
	PLOT DATE = 5/6/2009	DATE - 03/31/09	REVISED - 04/22/09

STATE OF ILLINOIS
 FORD COUNTY HIGHWAY DEPARTMENT

HLR HAMPTON, LENZINI & RENWICK, INC.
 CIVIL & STRUCTURAL ENGINEERS
 LAND SURVEYORS

TYPICAL SECTIONS

F.A.S.	SECTION	COUNTY	TOTAL SHEETS	SHEET NO.
340	09-00106-00-BR / 09-00107-00-BR	FORD	32	4
CONTRACT NO. 87411				
FED. ROAD DIST. NO. [ILLINOIS] FED. AID PROJECT				

SCALE: SHEET NO. 1 OF 1 SHEETS STA. TO STA.