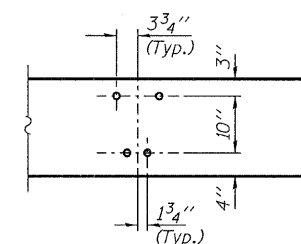
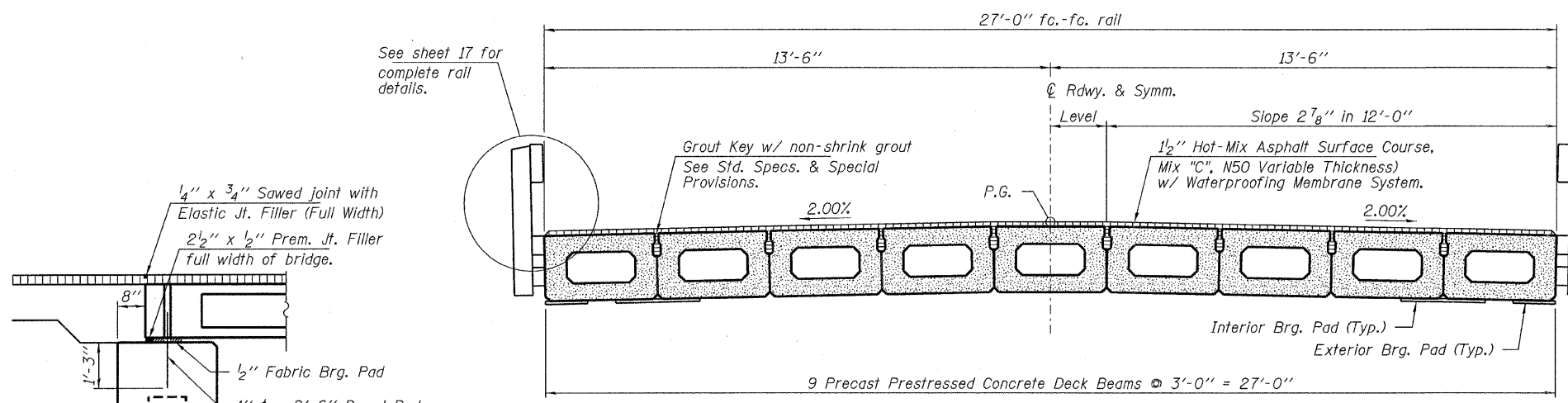


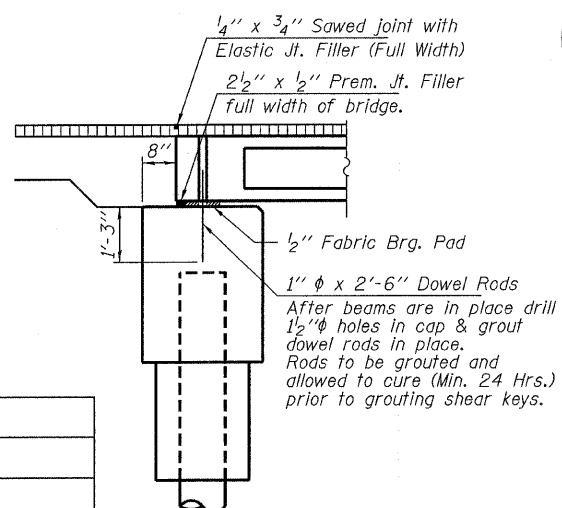
**ELEVATION**  
Showing Rail Post Spaces  
See sheet 17 for Railing Details.



**DETAIL A**



**CROSS SECTION**  
See sheets 14 & 15 for Superstructure.



**SECTION AT ABUTMENTS**

© Rt. L's

DESIGNED - A.S.L.
CHECKED - M.G.B.
DRAWN - D.T.M.
CHECKED - D.A.B.

**SUPERSTRUCTURE DETAILS**  
**STRUCTURE NO. 027-3438**

<b>HAMPTON, LENZINI &amp; RENWICK, INC.</b> CIVIL & STRUCTURAL ENGINEERS LAND SURVEYORS 3085 STEVENSON DRIVE, SUITE 201 SPRINGFIELD, ILLINOIS 62703 (217) 546-3400 PROJECT NUMBER: 07.0432.130    DATE: 03/31/09	F.A.S.	SECTION	COUNTY	TOTAL SHEETS	SHEET NO.
	340	09-00106-00-BR	FORD	32	17
CONTRACT NO. 87411					
FED. ROAD DIST. NO.		ILLINOIS	FED. AID PROJECT		