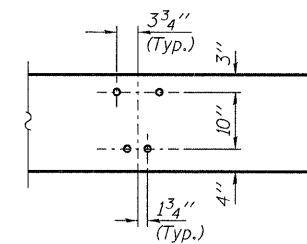
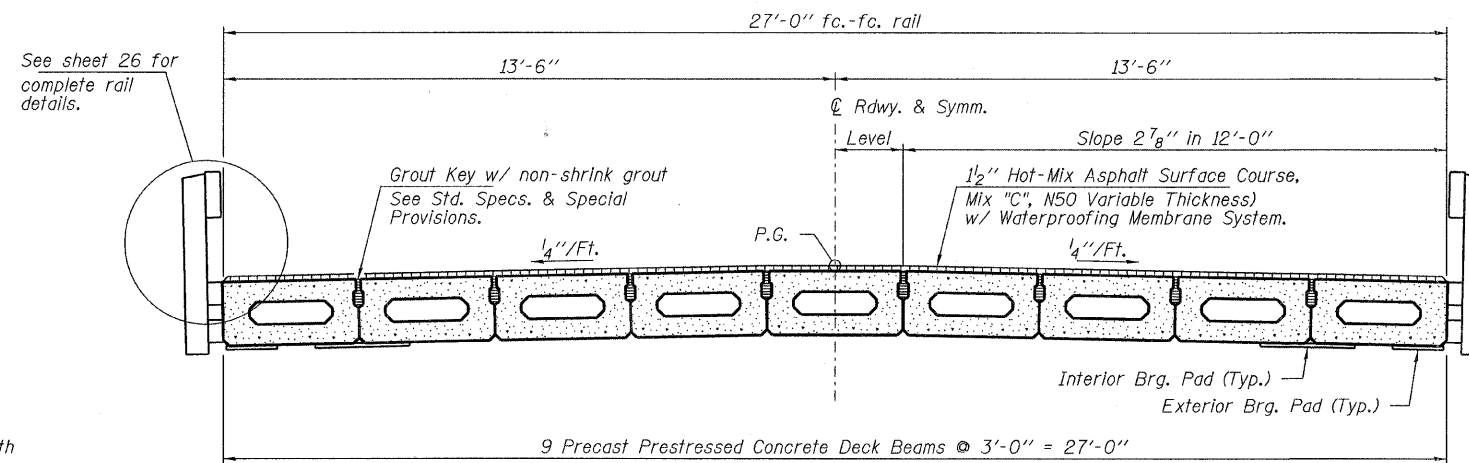


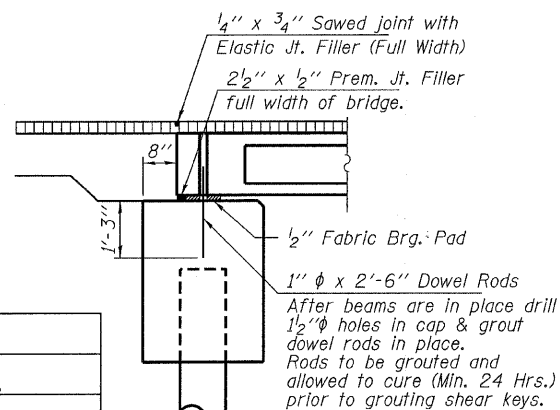
**ELEVATION**  
Showing Rail Post Spaces  
See sheet 26 for Railing Details.



**DETAIL A**



**CROSS SECTION**  
See sheets 23 & 24 for Superstructure.



**SECTION AT ABUTMENTS**

© Rt. L's

DESIGNED - A.S.L.
CHECKED - M.G.B.
DRAWN - D.A.B.
CHECKED - D.T.M.

**SUPERSTRUCTURE DETAILS**  
STRUCTURE NO. 027-3439

<b>HAMPTON, LENZINI &amp; RENWICK, INC.</b> CIVIL & STRUCTURAL ENGINEERS LAND SURVEYORS <b>HLR</b> 3085 STEVENSON DRIVE, SUITE 201 SPRINGFIELD, ILLINOIS 62703 (217) 546-3400 PROJECT NUMBER: 07.0435.130 DATE: 03/31/09	F.A.S.	SECTION	COUNTY	TOTAL SHEETS	SHEET NO.
	340	09-00107-00-BR	FORD	32	26
CONTRACT NO. 87411					
FED. ROAD DIST. NO.		ILLINOIS FED. AID PROJECT			