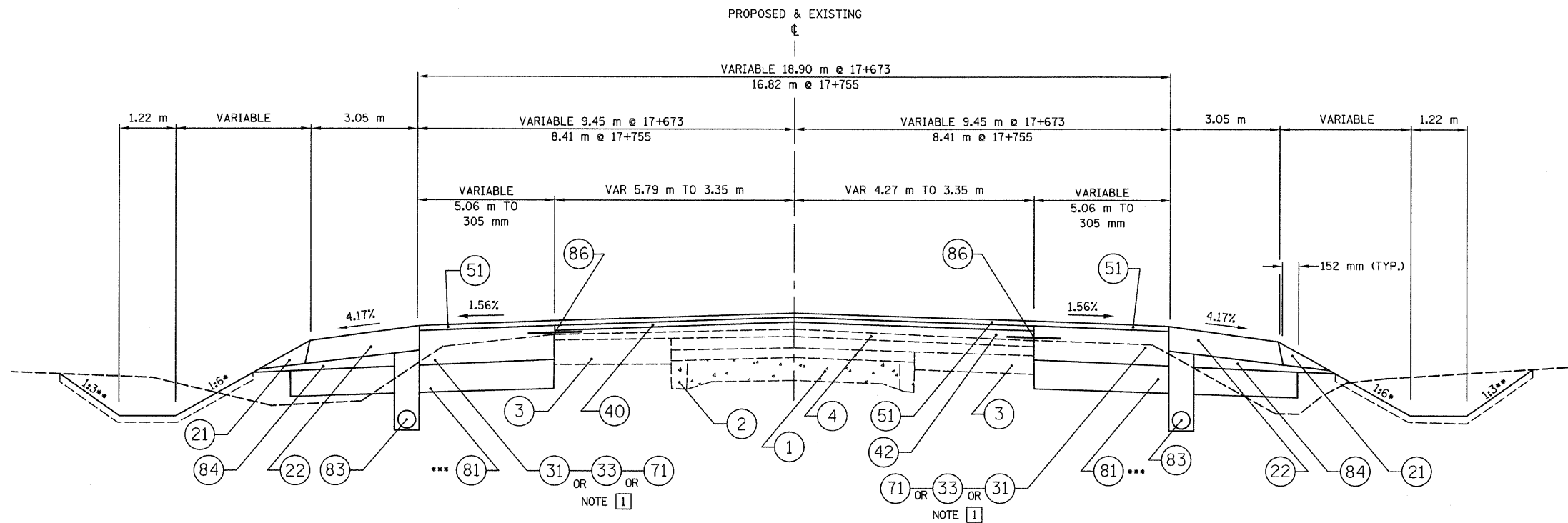


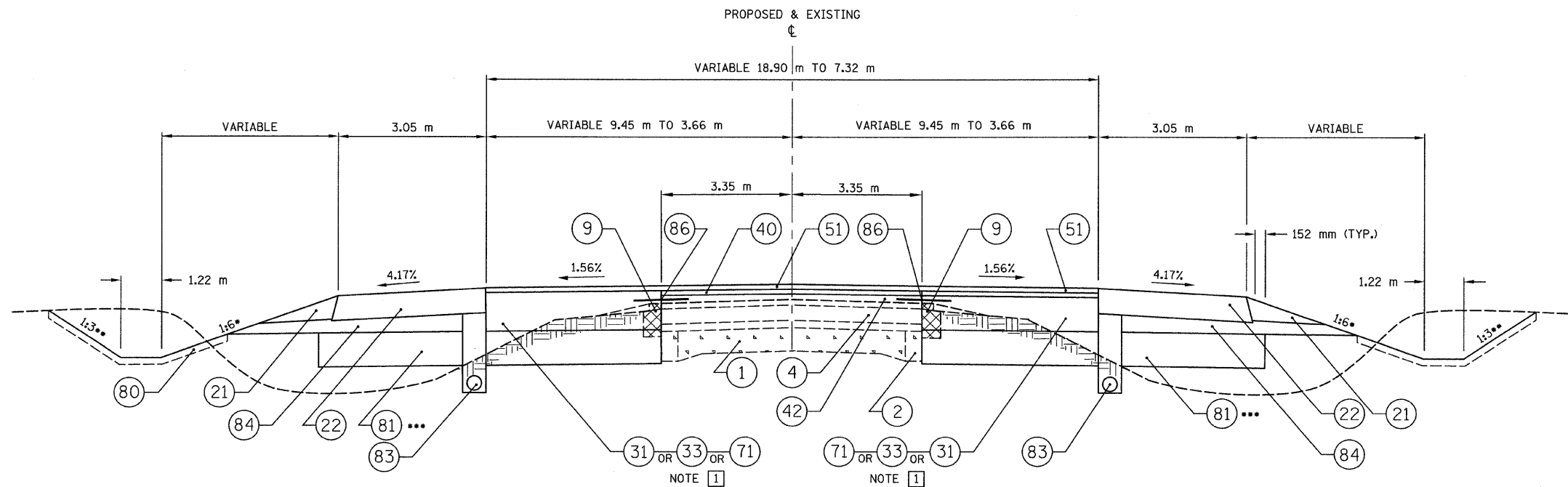
RTE NO.	SECTION	COUNTY	TOTAL	SHEET #
FA 646	125W-1, RS-2	PEORIA	256	11



STATION 17+673 TO 17+755

NOTE 1: WHEN (31) OR (33) IS SPECIFIED (40) AND (51) SHALL ALSO BE CONSTRUCTED. HMA BASE COURSE SHALL BE USED >1.8 m TO 3.66 m WIDTH. HMA PAVEMENT (FULL DEPTH) SHALL BE USED FOR WIDTHS >3.66 m

• OR AS SHOWN ON CROSS SECTIONS (1:4 MAX)
 ** OR AS SHOWN ON CROSS SECTIONS (1:3 MAX)
 *** 460 mm THICKNESS



STATION 17+755 TO 17+960

LEGEND - EXISTING

- (1) P.C.C. PAVEMENT
- (2) P.C.C. WIDENING
- (3) FLEXIBLE PAVEMENT
- (4) HOT-MIX ASPHALT OVERLAY, VARIABLE DEPTH
- REMOVAL (XXXXXX)
- (8) PAVEMENT REMOVAL
- (9) PAVED SHOULDER REMOVAL (SPECIAL)
- (11) MEDIAN REMOVAL
- (12) COMBINATION CURB & GUTTER REMOVAL
- (13) HOT-MIX ASPHALT SURFACE REMOVAL (VARIABLE DEPTH)

LEGEND - PROPOSED SHOULDERS

- (20) AGGREGATE SHOULDERS, TYPE B 150MM
- (21) AGGREGATE SHOULDERS, TYPE B, (METRIC TON)
- (22) HOT-MIX ASPHALT SHOULDERS, 200MM
- (23) HOT-MIX ASPHALT SHOULDERS (M TON)

BASE COURSE

- (30) HOT-MIX ASPHALT BASE COURSE, 200MM
- (31) HOT-MIX ASPHALT BASE COURSE, 250MM
- (32) HOT-MIX ASPHALT BASE COURSE WIDENING, 250MM
- (33) HOT-MIX ASPHALT BASE COURSE WIDENING, 200MM
- (34) HOT-MIX ASPHALT BASE COURSE WIDENING, 200MM

BINDER COURSE & LEVELING BINDER COURSE

- (40) POLYMERIZED HOT-MIX ASPHALT BINDER COURSE, IL-19.0, N70 (38 mm)
- (41) POLYMERIZED HOT-MIX ASPHALT BINDER COURSE, IL-19.0, N70 (51 mm)
- (42) POLYMERIZED LEVELING BINDER (MACHINE METHOD), IL-4.75, N50 (VARIABLE DEPTH)
- (43) POLYMERIZED HOT-MIX ASPHALT BINDER COURSE, IL-19.0, N70 (VARIABLE DEPTH)

SURFACE COURSE

- (50) POLYMERIZED HOT-MIX ASPHALT SURFACE COURSE, MIX "D", N70 (38 mm)
- (51) POLYMERIZED HOT-MIX ASPHALT SURFACE COURSE, MIX "D", N70 (51 mm)

FULL DEPTH PAVEMENT

- (71) HOT-MIX ASPHALT PAVEMENT (FULL-DEPTH), 290MM

MISC & STANDARDS

- (80) TOPSOIL FURNISH AND PLACE, 100MM
- (81) SUB-BASE GRANULAR MATERIAL, TYPE A
- (82) COMBINATION CONC C&G, TYPE B-15.60
- (83) PIPE UNDERDRAINS 100MM
- (84) REFER TO STANDARD 482001 (TYPE C SUBBASE)
- (86) STRIP REFLECTIVE CRACK CONTROL

REVISIONS	
NAME	DATE

ILLINOIS DEPARTMENT OF TRANSPORTATION

TYPICAL SECTIONS ILLINOIS ROUTE 40

SCALE: NONE
DATE: 3/13/09

DRAWN BY: JRC, JDU
CHECKED BY: ECM

T-4