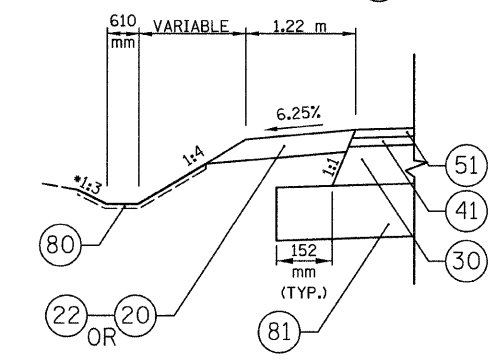
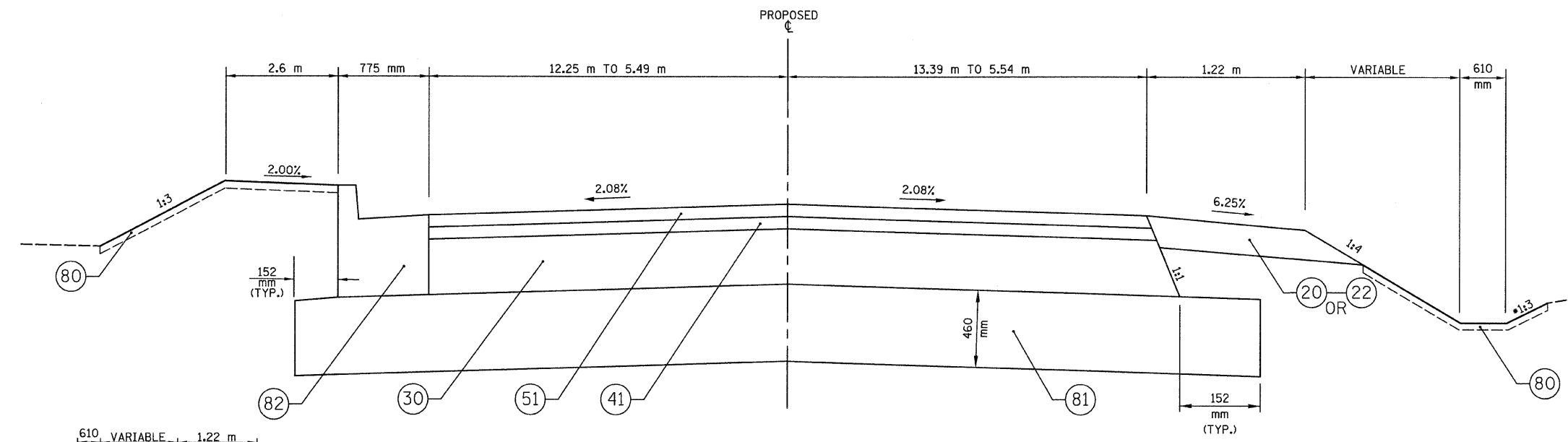


RTE NO.	SECTION	COUNTY	TOTAL	SHEET #
FA 646	125W-1, RS-2	PEORIA	256	12

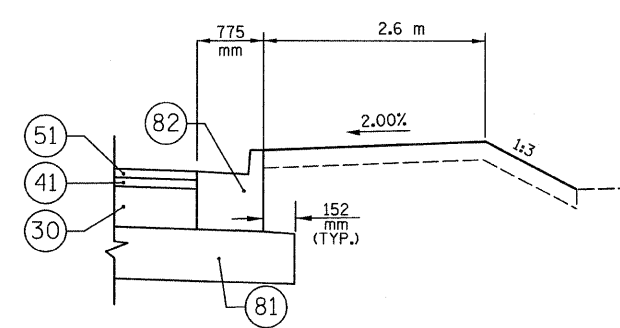


STA. 1+007.356 TO 1+047.500± LT.

HICKORY GROVE ROAD

STA. 0+959.530 TO 0+983.396 LT.
 STA. 0+978.150 TO 0+986.555 RT.

STA. 1+032.719 TO 1+047.5± RT.



STA. 1+010.707 TO 1+032.719 RT.

- LEGEND - EXISTING**
- ① P.C.C. PAVEMENT
 - ② P.C.C. WIDENING
 - ③ FLEXIBLE PAVEMENT
 - ④ HOT-MIX ASPHALT OVERLAY, VARIABLE DEPTH
- REMOVAL** [XXXXXX]
- ⑧ PAVEMENT REMOVAL
 - ⑨ PAVED SHOULDER REMOVAL (SPECIAL)
 - ⑪ MEDIAN REMOVAL
 - ⑫ COMBINATION CURB & GUTTER REMOVAL
 - ⑬ HOT-MIX ASPHALT SURFACE REMOVAL (VARIABLE DEPTH)

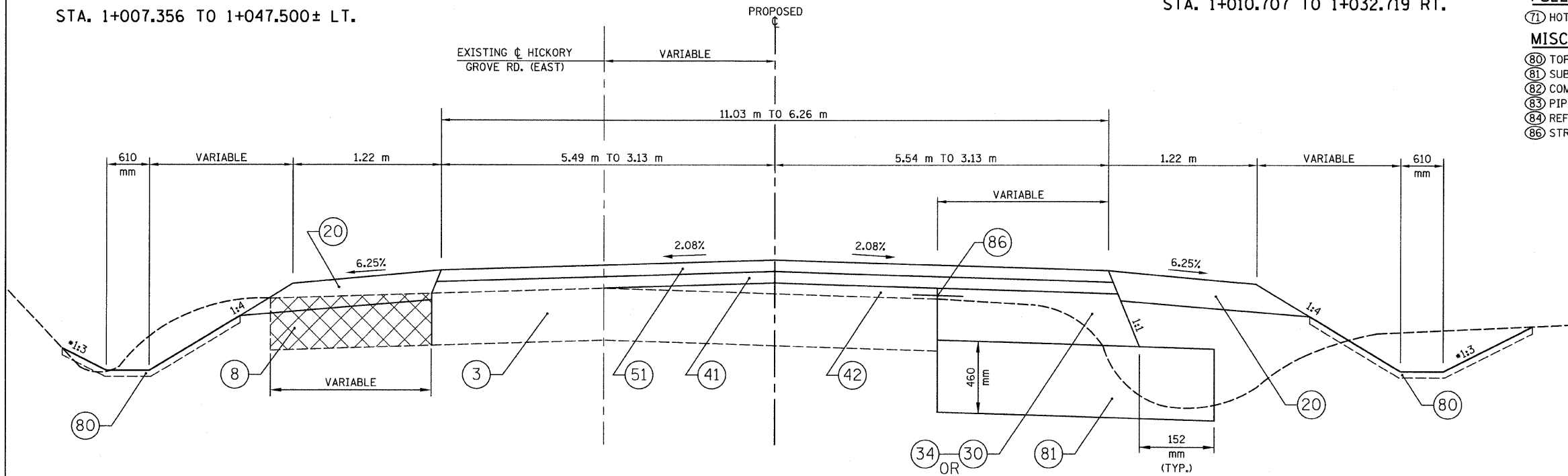
- LEGEND - PROPOSED**
- SHOULDERS**
- ⑳ AGGREGATE SHOULDERS, TYPE B 150MM
 - ㉑ AGGREGATE SHOULDERS, TYPE B, (METRIC TON)
 - ㉒ HOT-MIX ASPHALT SHOULDERS, 200MM
 - ㉓ HOT-MIX ASPHALT SHOULDERS (M TON)
- BASE COURSE**
- ㉔ HOT-MIX ASPHALT BASE COURSE, 200MM
 - ㉕ HOT-MIX ASPHALT BASE COURSE, 250MM
 - ㉖ HOT-MIX ASPHALT BASE COURSE WIDENING, 250MM
 - ㉗ HOT-MIX ASPHALT BASE COURSE WIDENING, 200MM

- BINDER COURSE & LEVELING BINDER COURSE**
- ㉘ POLYMERIZED HOT-MIX ASPHALT BINDER COURSE, IL-19.0, N70 (38 mm)
 - ㉙ POLYMERIZED HOT-MIX ASPHALT BINDER COURSE, IL-19.0, N70 (51 mm)
 - ㉚ POLYMERIZED LEVELING BINDER (MACHINE METHOD), IL-4.75, N50 (VARIABLE DEPTH)
 - ㉛ POLYMERIZED HOT-MIX ASPHALT BINDER COURSE, IL-19.0, N70 (VARIABLE DEPTH)

- SURFACE COURSE**
- ㉜ POLYMERIZED HOT-MIX ASPHALT SURFACE COURSE, MIX "D", N70 (38 mm)
 - ㉝ POLYMERIZED HOT-MIX ASPHALT SURFACE COURSE, MIX "D", N70 (51 mm)

- FULL DEPTH PAVEMENT**
- ㉞ HOT-MIX ASPHALT PAVEMENT (FULL-DEPTH), 290MM

- MISC & STANDARDS**
- ㉟ TOPSOIL FURNISH AND PLACE, 100MM
 - ㊱ SUB-BASE GRANULAR MATERIAL, TYPE A
 - ㊲ COMBINATION CONC C&G, TYPE B-15.60
 - ㊳ PIPE UNDERDRAINS 100MM
 - ㊴ REFER TO STANDARD 482001 (TYPE C SUBBASE)
 - ㊵ STRIP REFLECTIVE CRACK CONTROL



• SEE CROSS SECTIONS

HICKORY GROVE ROAD (EAST)

STA. 1+047.5± TO 1+197.000

REVISIONS	
NAME	DATE

ILLINOIS DEPARTMENT OF TRANSPORTATION

**TYPICAL SECTIONS
HICKORY GROVE RD.
(EAST)**

SCALE: NONE
DATE: 3/13/09

DRAWN BY: JRC, JDU
CHECKED BY: ECM