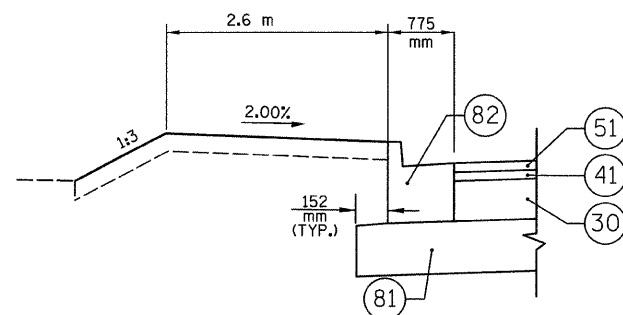


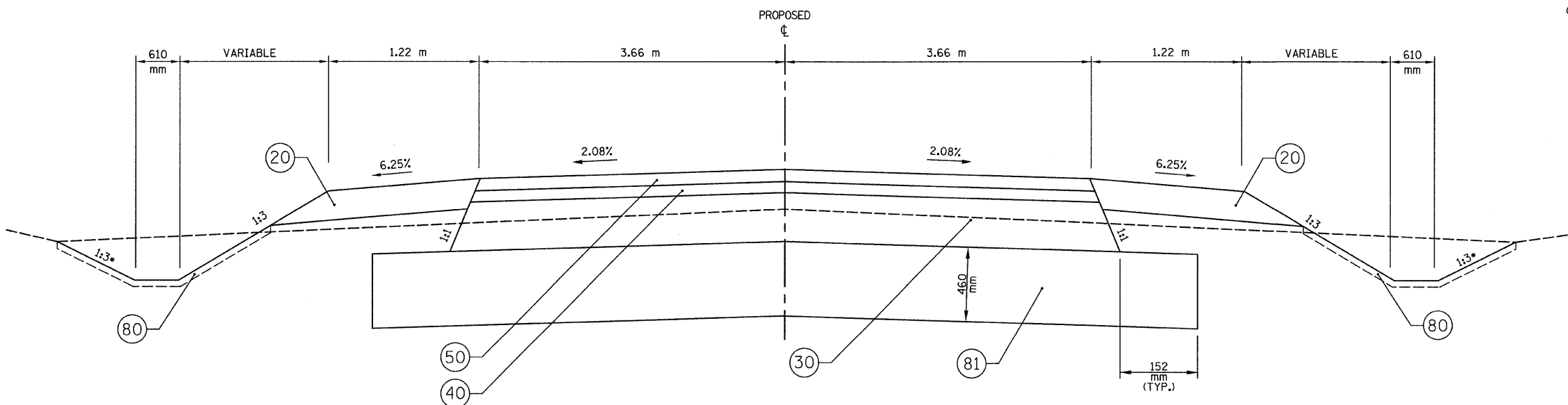
*SEE CROSS SECTIONS

HICKORY GROVE ROAD (WEST)

STA. 0+925.780 TO 0+953.440 LT.
STA. 0+925.780 TO 0+978.150 RT.



STA. 0+953.440 TO 0+959.530 LT.



FRONTAGE ROAD NO. 3 FROM HICKORY ROAD TO EXISTING IL. 40

STA. 1+004 TO 1+285

- LEGEND - EXISTING**
- ① P.C.C. PAVEMENT
 - ② P.C.C. WIDENING
 - ③ FLEXIBLE PAVEMENT
 - ④ HOT-MIX ASPHALT OVERLAY, VARIABLE DEPTH
- REMOVAL** XXXXXX
- ⑧ PAVEMENT REMOVAL
 - ⑨ PAVED SHOULDER REMOVAL (SPECIAL)
 - ⑪ MEDIAN REMOVAL
 - ⑫ COMBINATION CURB & GUTTER REMOVAL
 - ⑬ HOT-MIX ASPHALT SURFACE REMOVAL (VARIABLE DEPTH)
- LEGEND - PROPOSED**
- SHOULDERS**
- ⑳ AGGREGATE SHOULDERS, TYPE B 150MM
 - ㉑ AGGREGATE SHOULDERS, TYPE B, (METRIC TON)
 - ㉒ HOT-MIX ASPHALT SHOULDERS, 200MM
 - ㉓ HOT-MIX ASPHALT SHOULDERS (M TON)
- BASE COURSE**
- ㉔ HOT-MIX ASPHALT BASE COURSE, 200MM
 - ㉕ HOT-MIX ASPHALT BASE COURSE, 250MM
 - ㉖ HOT-MIX ASPHALT BASE COURSE WIDENING, 250MM
 - ㉗ HOT-MIX ASPHALT BASE COURSE WIDENING, 200MM
- BINDER COURSE & LEVELING BINDER COURSE**
- ㉘ POLYMERIZED HOT-MIX ASPHALT BINDER COURSE, IL-19.0, N70 (38 mm)
 - ㉙ POLYMERIZED HOT-MIX ASPHALT BINDER COURSE, IL-19.0, N70 (51 mm)
 - ㉚ POLYMERIZED LEVELING BINDER (MACHINE METHOD), IL-4.75, N50 (VARIABLE DEPTH)
 - ㉛ POLYMERIZED HOT-MIX ASPHALT BINDER COURSE, IL-19.0, N70 (VARIABLE DEPTH)
- SURFACE COURSE**
- ㉜ POLYMERIZED HOT-MIX ASPHALT SURFACE COURSE, MIX "D", N70 (38 mm)
 - ㉝ POLYMERIZED HOT-MIX ASPHALT SURFACE COURSE, MIX "D", N70 (51 mm)
- FULL DEPTH PAVEMENT**
- ㉞ HOT-MIX ASPHALT PAVEMENT (FULL-DEPTH), 290MM
- MISC & STANDARDS**
- ㉟ TOPSOIL FURNISH AND PLACE, 100MM
 - ㊱ SUB-BASE GRANULAR MATERIAL, TYPE A
 - ㊲ COMBINATION CONC C&G, TYPE B-15.60
 - ㊳ PIPE UNDERDRAINS 100MM
 - ㊴ REFER TO STANDARD 482001 (TYPE C SUBBASE)
 - ㊵ STRIP REFLECTIVE CRACK CONTROL

REVISIONS	
NAME	DATE

ILLINOIS DEPARTMENT OF TRANSPORTATION
TYPICAL SECTIONS
HICKORY GROVE RD (WEST)
FRONTAGE ROAD No. 3

SCALE: NONE
DATE: 3/13/09
DRAWN BY: JRC, JDU
CHECKED BY: ECM

T-6