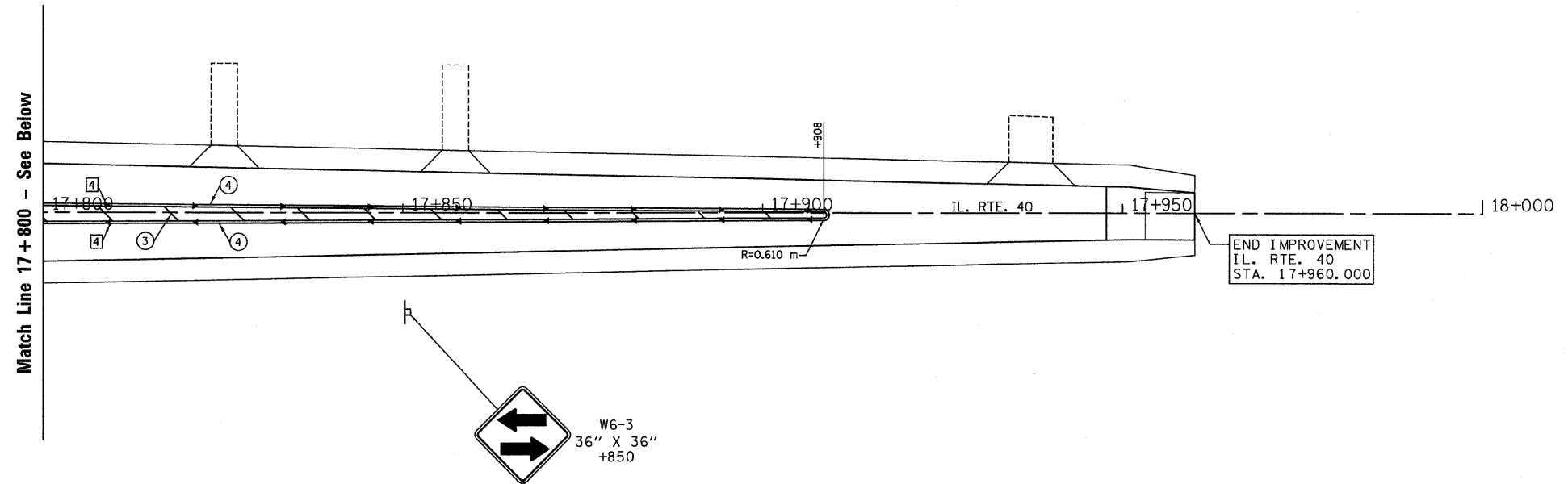
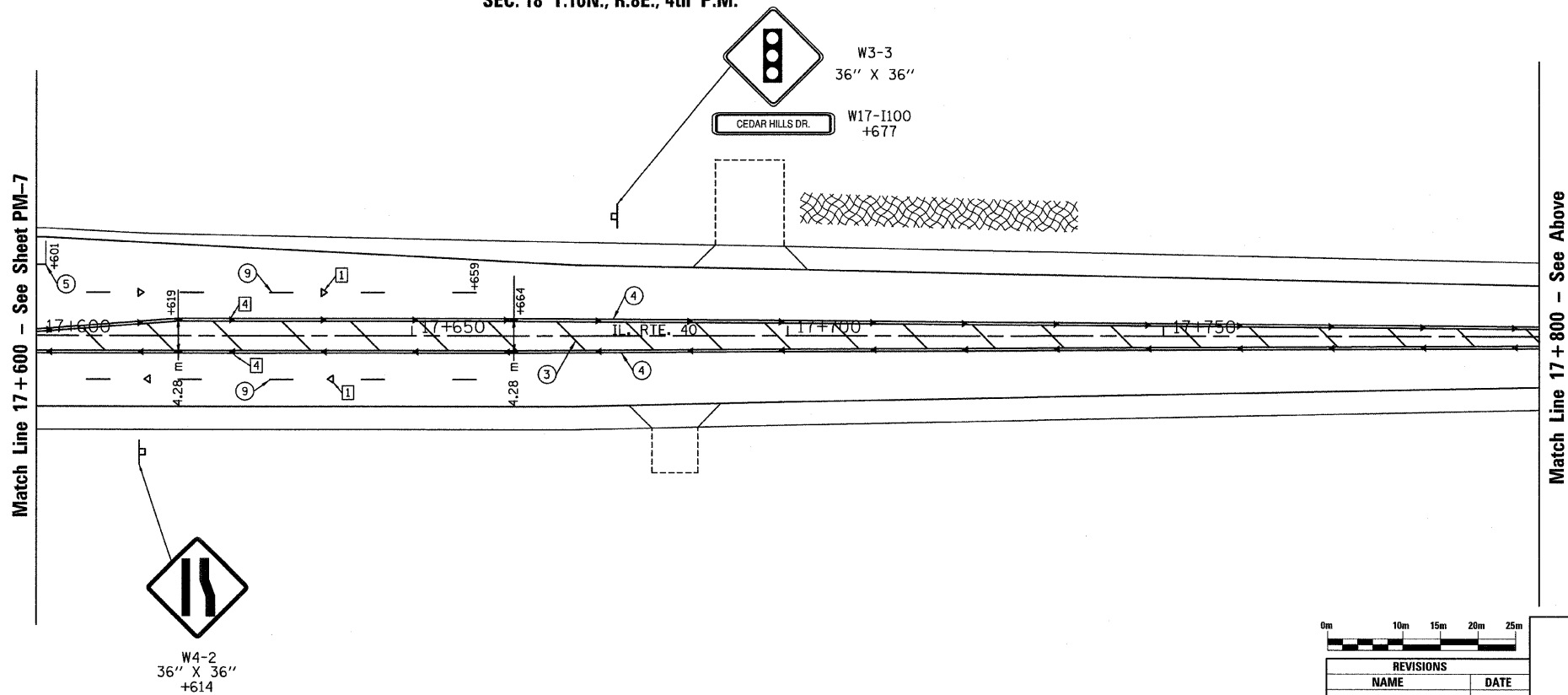


SEC. 18 T.10N., R.8E., 4th P.M.

RTE NO.	SECTION	COUNTY	TOTAL	SHEET #
FA 646	125W-1, RS-2	PEORIA	256	132
STATION 17+600 TO STATION 17+960				



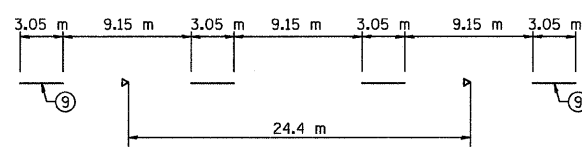
SEC. 18 T.10N., R.8E., 4th P.M.



RAISED REFLECTIVE PAVEMENT MARKERS (RRPM)

- ① ONE-WAY RRPM CRYSTAL MARKER AT 24.4 m CENTERS
- ② ONE-WAY RRPM CRYSTAL MARKER AT 12.2 m CENTERS
- ③ TWO-WAY RRPM AMBER MARKER AT 12.2 m
- ④ ONE-WAY RRPM AMBER MARKER AT 12.2 m

IL RTE 40 CENTERLINE SPACING



PAVEMENT MARKING LEGEND

- ① 100 mm Yellow
 - ② 100 mm White
 - ③ 300 mm Yellow
 - ④ (2) 100 mm Yellow
 - ⑤ 200 mm White
 - ⑥ 300 mm White
 - ⑦ 600 mm White
 - ⑧ Letters and Symbols
 - ⑨ 150 mm White Skip Dash
 - ⑩ 150 mm Yellow
 - ⑪ 100 mm Yellow Skip Dash
-

0m 10m 15m 20m 25m

REVISIONS	
NAME	DATE

ILLINOIS DEPARTMENT OF TRANSPORTATION
**PAVEMENT MARKINGS
 AND SIGNING PLAN**
 ILLINOIS ROUTE 40

SCALE: 1:400
 DATE: 03/13/09

DRAWN BY: JRC, JDJ
 CHECKED BY: ECM