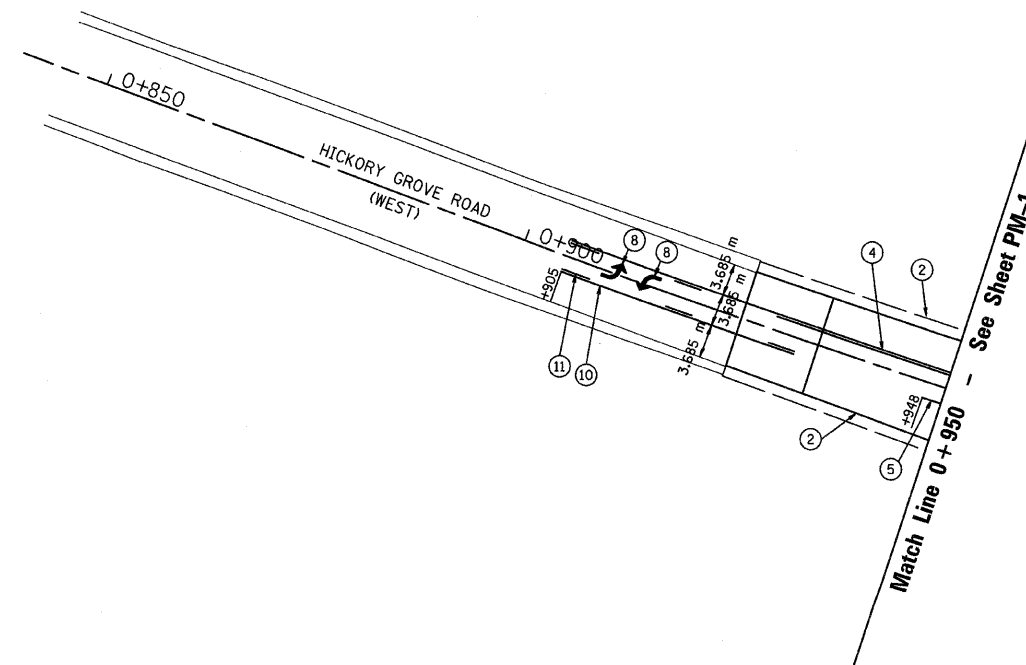
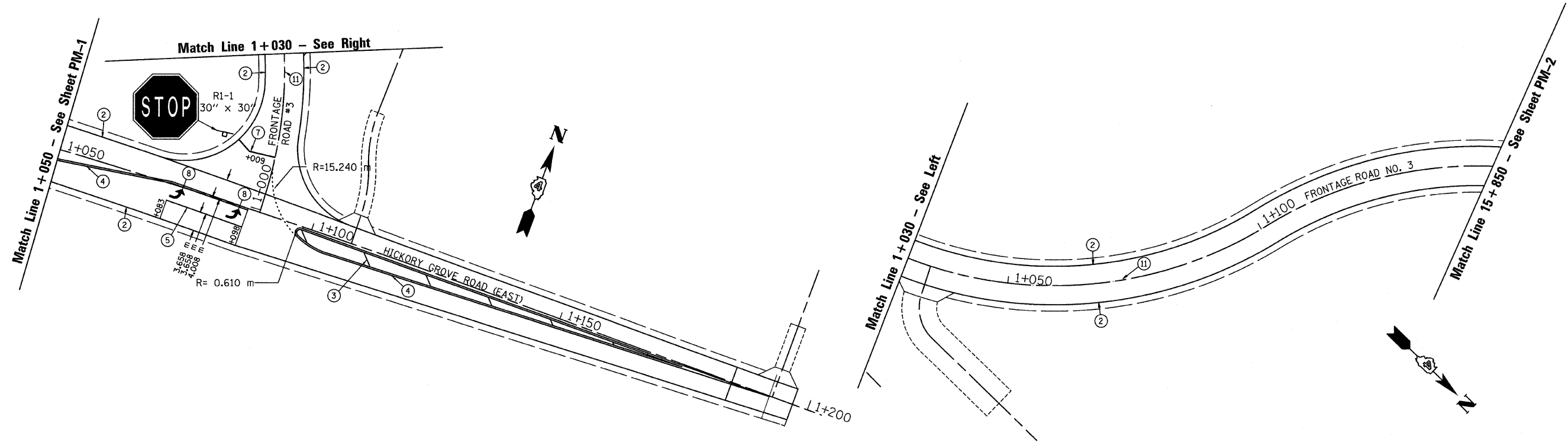


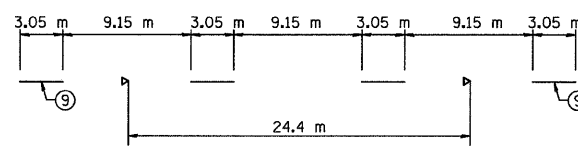
RTE NO.	SECTION	COUNTY	TOTAL	SHEET #
FA 646	125W-1, RS-2	PEORIA	256	133
STATION 0+828 TO STATION 1+132				



RAISED REFLECTIVE PAVEMENT MARKERS (RRPM)

- 1 ◀ ONE-WAY RRPM CRYSTAL MARKER AT 24.4 m CENTERS
- 2 ◀ ONE-WAY RRPM CRYSTAL MARKER AT 12.2 m CENTERS
- 3 ▶ TWO-WAY RRPM AMBER MARKER AT 12.2 m
- 4 ◀ ONE-WAY RRPM AMBER MARKER AT 12.2 m

IL RTE 40 CENTERLINE SPACING



PAVEMENT MARKING LEGEND

- 1 100 mm Yellow
  - 2 100 mm White
  - 3 300 mm Yellow
  - 4 (2) 100 mm Yellow
  - 5 200 mm White
  - 6 300 mm White
  - 7 600 mm White
  - 8 Letters and Symbols
  - 9 150 mm White Skip Dash
  - 10 150 mm Yellow
  - 11 100 mm Yellow Skip Dash
- 



REVISIONS	
NAME	DATE

ILLINOIS DEPARTMENT OF TRANSPORTATION  
**PAVEMENT MARKINGS  
 AND SIGNING PLAN  
 ILLINOIS ROUTE 40**

SCALE: 1:400  
 DATE: 03/13/09

DRAWN BY: JRC, JDU  
 CHECKED BY: ECM