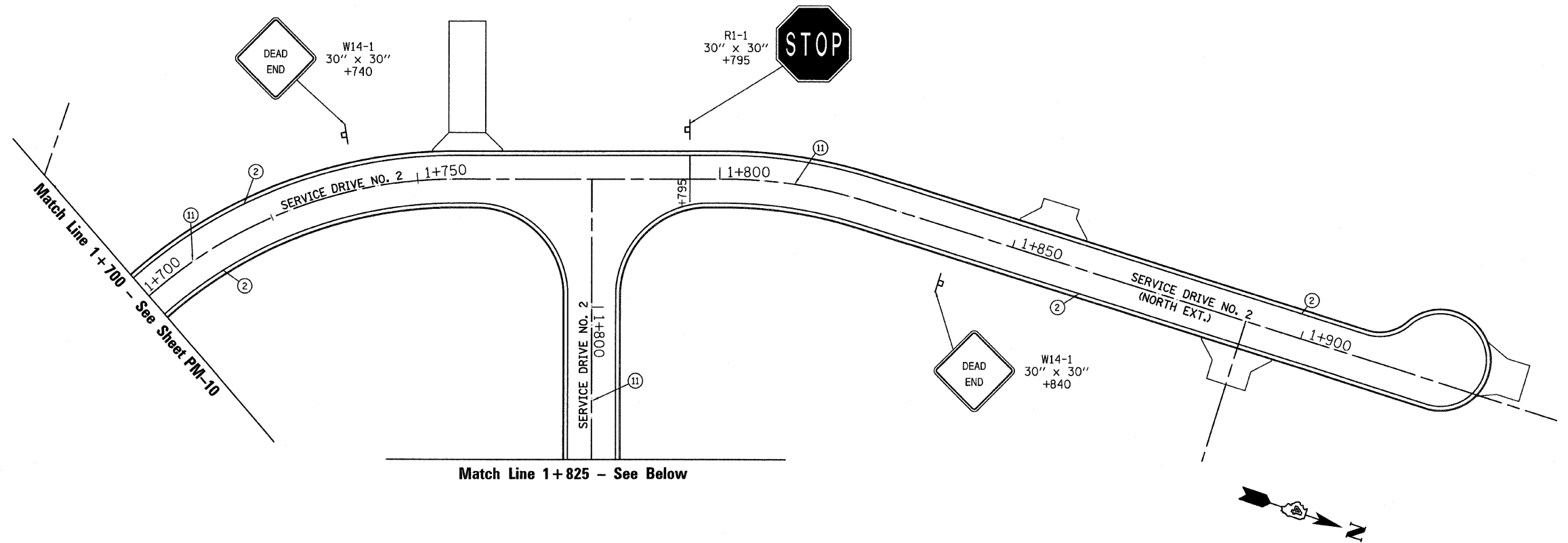
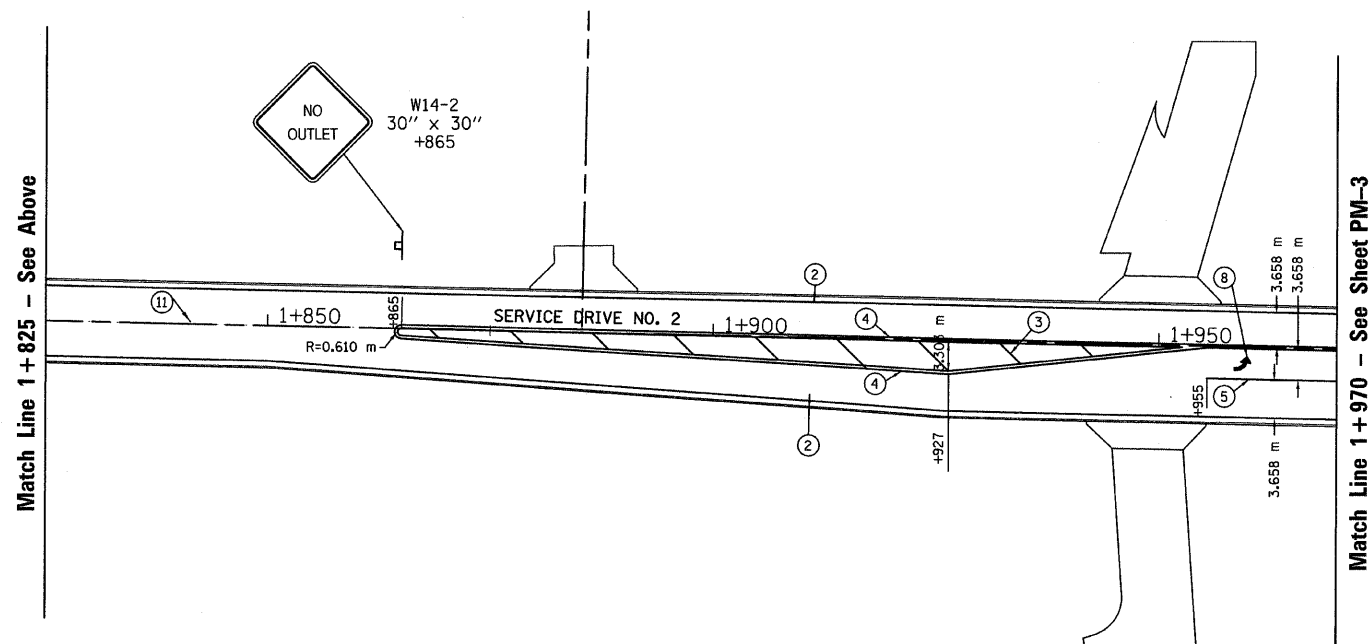


SEC.29&32 T.10N., R.8E., 4th P.M.

RTE NO.	SECTION	COUNTY	TOTAL	SHEET #
FA 646	125W-1, RS-2	PEORIA	256	135
STATION 1+700 TO		STATION 1+970		



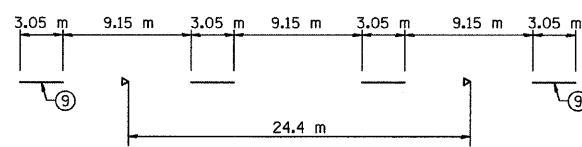
SEC. 20 T.10N., R.8E., 4th P.M.



RAISED REFLECTIVE PAVEMENT MARKERS (RRPM)

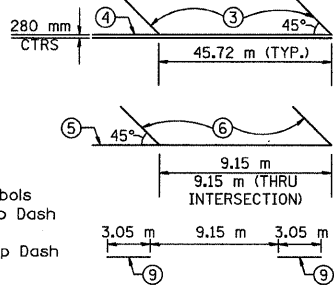
- ① ONE-WAY RRPM CRYSTAL MARKER AT 24.4 m CENTERS
- ② ONE-WAY RRPM CRYSTAL MARKER AT 12.2 m CENTERS
- ③ TWO-WAY RRPM AMBER MARKER AT 12.2 m
- ④ ONE-WAY RRPM AMBER MARKER AT 12.2 m

IL RTE 40 CENTERLINE SPACING



PAVEMENT MARKING LEGEND

- ① 100 mm Yellow
- ② 100 mm White
- ③ 300 mm Yellow
- ④ (2) 100 mm Yellow
- ⑤ 200 mm White
- ⑥ 300 mm White
- ⑦ 600 mm White
- ⑧ Letters and Symbols
- ⑨ 150 mm White Skip Dash
- ⑩ 150 mm Yellow
- ⑪ 100 mm Yellow Skip Dash



REVISIONS	
NAME	DATE

ILLINOIS DEPARTMENT OF TRANSPORTATION
PAVEMENT MARKINGS AND SIGNING PLAN
ILLINOIS ROUTE 40

SCALE: 1:400
 DATE: 03/13/09

DRAWN BY: JRC, JDU
 CHECKED BY: ECM