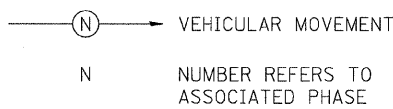
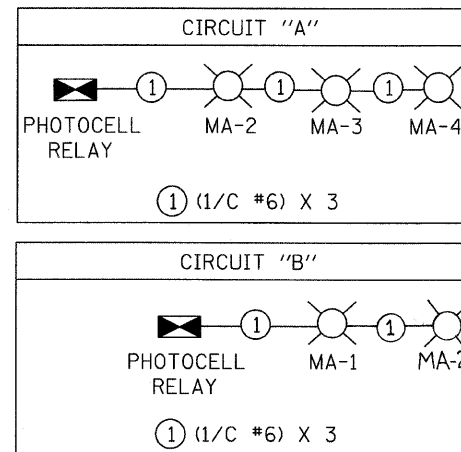


LEGEND



REFERRING TO STANDARD 857001, THE VEHICULAR PHASES USED ARE DESIGNATED BELOW.
CONTROLLER SPECIFIED: ECONOLITE AEC/3 TS-2 TYPE 2 IN TYPE IV CABINET.

LIGHTING CIRCUIT DIAGRAM



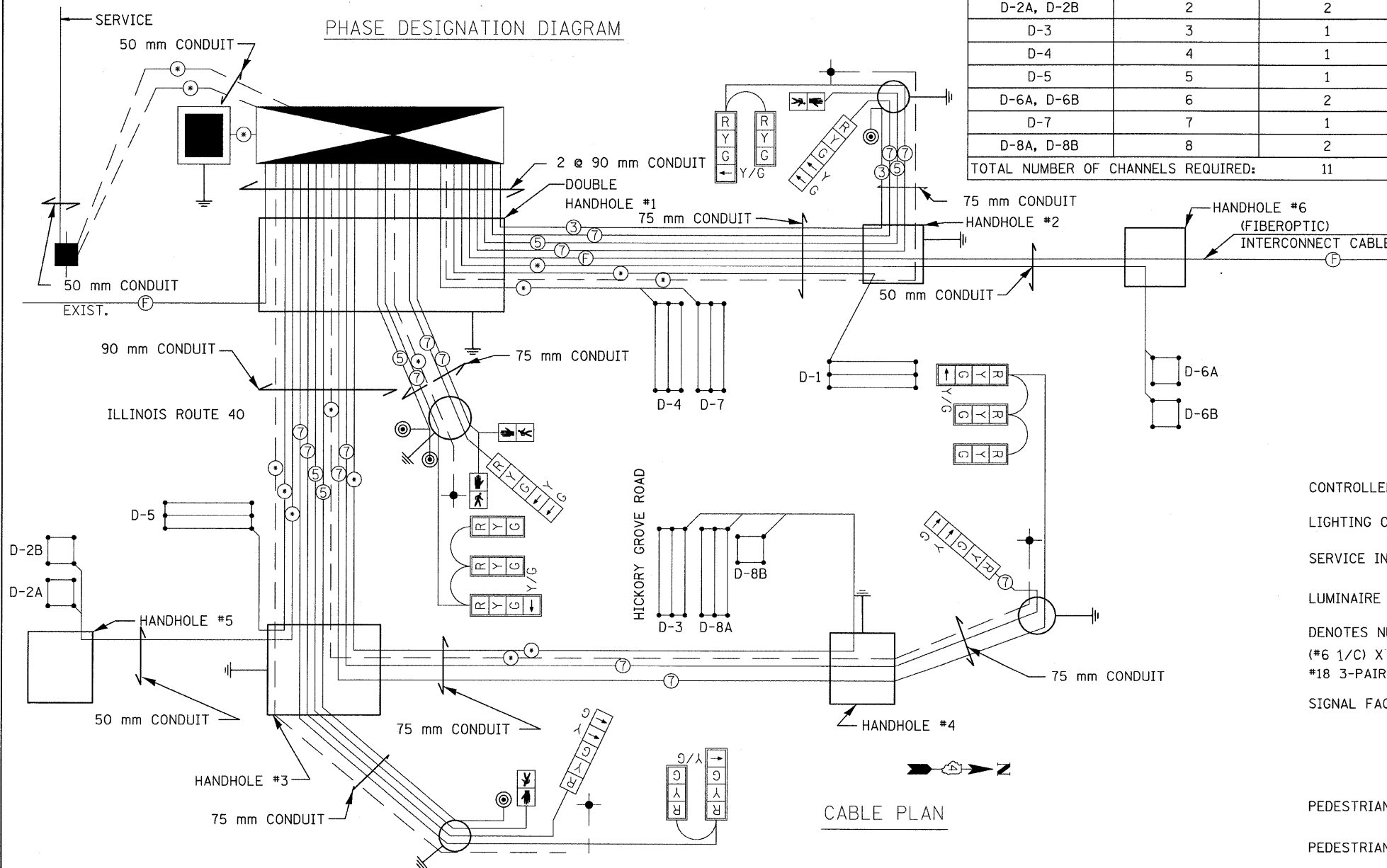
SCHEDULE OF QUANTITIES

CONDUIT IN TRENCH, 90mm DIA., PVC	22 M
CONDUIT IN TRENCH, 75mm DIA., PVC	39.5 M
CONDUIT IN TRENCH, 50mm DIA., PVC	935.5 M
CONDUIT PUSHED, 90mm DIA., PVC	19 M
CONDUIT PUSHED, 75mm DIA., PVC	44.5 M
HANDHOLE	10 EA.
DOUBLE HANDHOLE	1 EA.
ELECTRIC CABLE IN CONDUIT, 600v (XLP-TYPE USE) 1/C NO.6	771 M
ELECTRIC CABLE IN CONDUIT, LEAD-IN NO. 18, 3 PAIR	1,090 M
ELECTRIC CABLE IN CONDUIT, GROUNDING NO. 6 1C	361 M
ELECTRIC CABLE IN CONDUIT, SIGNAL NO. 14 3C	126 M
ELECTRIC CABLE IN CONDUIT, SIGNAL NO. 14 5C	163 M
ELECTRIC CABLE IN CONDUIT, SIGNAL NO. 14 7C	475 M
INDUCTIVE LOOP DETECTOR	11 EA.
DETECTOR LOOP, TYPE 1	403 M
FIBER OPTIC CABLE IN CONDUIT, NO. 62.5/125, MM12F	1811 M
STEEL COMBINATION MAST ARM ASSEMBLY AND POLE 12.80 METER	1 EA.
STEEL COMBINATION MAST ARM ASSEMBLY AND POLE 15.24 METER	3 EA.
CONCRETE FOUNDATION, TYPE D	1.1 M
CONCRETE FOUNDATION, TYPE E, 900mm DIA.	17.8 M
SIGNAL HEAD, LED, 1-FACE, 3-SECTION, MAST ARM MOUNTED	6 EA.
SIGNAL HEAD, LED, 1-FACE, 5-SECTION, BRACKET MOUNTED	4 EA.
SIGNAL HEAD, LED, 1-FACE, 4-SECTION, MAST ARM MOUNTED	4 EA.
PEDESTRIAN SIGNAL HEAD, LED, 2-FACE, BRACKET MOUNTED	1 EA.
PEDESTRIAN PUSH BUTTON	4 EA.
TRAFFIC SIGNAL BACKPLATE, LOUVERED	10 EA.
LUMINAIRE, SODIUM VAPOR, HORIZONTAL MOUNT, 400 WATT	4 EA.
TEMPORARY TRAFFIC SIGNAL INSTALLATION, LOCATION NO. 1	1 EA.
LIGHTING CONTROLLER PHOTOCELL RELAY, INSTALL ONLY	1 EA.
SERVICE INSTALLATION, TYPE B	1 EA.
TRENCH AND BACKFILL FOR ELECTRICAL WORK	997 M
REMOVE EXISTING HANDHOLE	4 EA.
REMOVE EXISTING CONCRETE FOUNDATION	3 EA.
FULL-ACTUATED CONTROLLER AND TYPE IV CABINET, SPECIAL	1 EA.
PEDESTRIAN SIGNAL HEAD, LED, 1 FACE, BRACKET MOUNTED	2 EA.

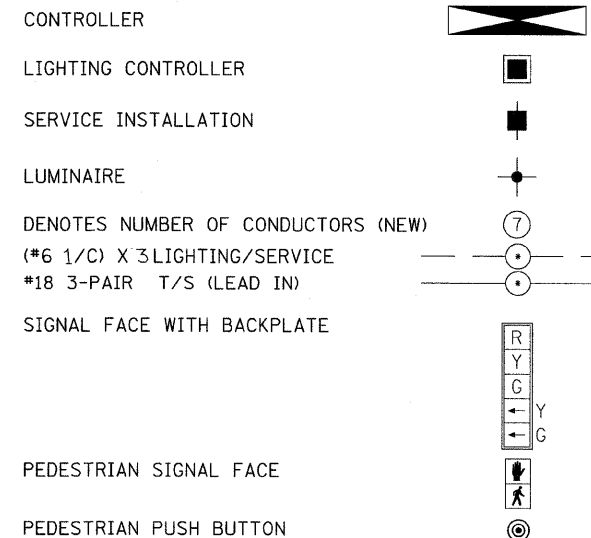
DETECTOR ASSIGNMENT SCHEDULE

DETECTOR LOOP	ASSIGNED PHASE	NO. OF CHANNELS REQUIRED
D-1	1	1
D-2A, D-2B	2	2
D-3	3	1
D-4	4	1
D-5	5	1
D-6A, D-6B	6	2
D-7	7	1
D-8A, D-8B	8	2
TOTAL NUMBER OF CHANNELS REQUIRED:		11

PHASE DESIGNATION DIAGRAM



CABLE PLAN LEGEND



ILLINOIS DEPARTMENT OF TRANSPORTATION
PROPOSED TRAFFIC WIRING DIAGRAM
F.A. RTE. 646 (IL. RTE. 40)
AND HICKORY GROVE ROAD
SECTION 125W-1, RS-2
PEORIA COUNTY

SCALE: NONE
DATE: 03/3/09

DRAWN BY: JRC, JDU
CHECKED BY: ECM