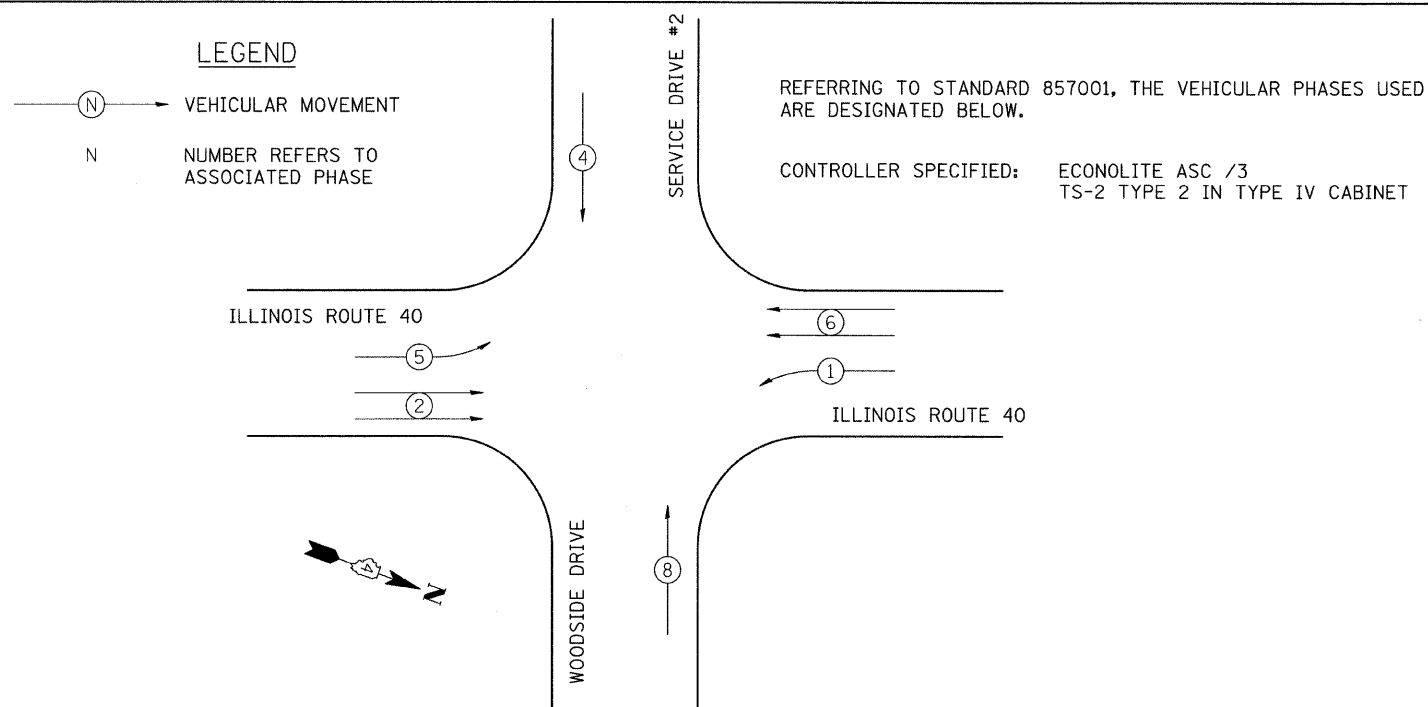


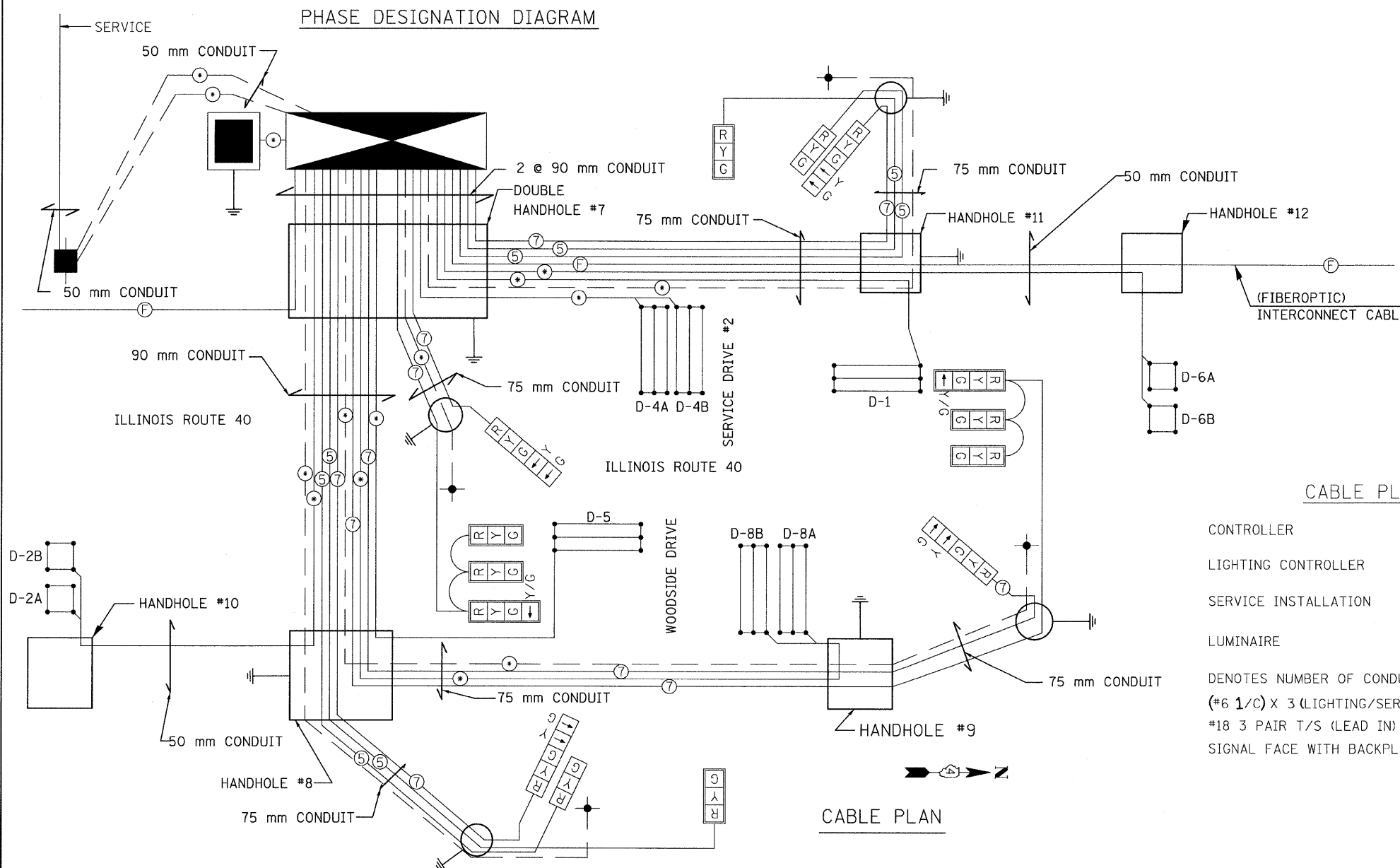
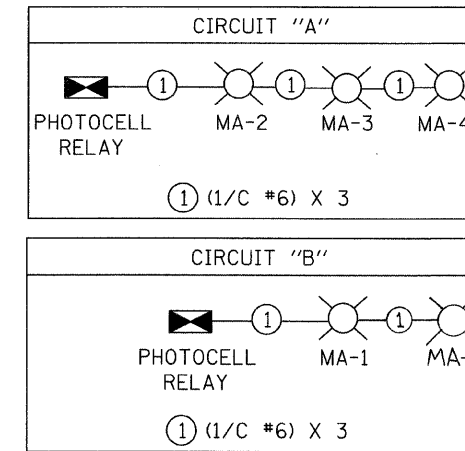
SCHEDULE OF QUANTITIES

CONDUIT IN TRENCH, 90mm DIA., PVC	11.5 M
CONDUIT IN TRENCH, 75mm DIA., PVC	30.0 M
CONDUIT IN TRENCH, 50mm DIA., PVC	1,231.5 M
CONDUIT PUSHED, 90mm DIA., PVC	26.5 M
CONDUIT PUSHED, 75mm DIA., PVC	37.0 M
HANDHOLE	12 EA.
DOUBLE HANDHOLE	1 EA.
FIBER OPTIC CABLE IN CONDUIT, NO. 62.5/125, MM12F	1020 M
ELECTRIC CABLE IN CONDUIT, 600V (XLP-TYPE USE) 1/C NO. 6	763 M
ELECTRIC CABLE IN CONDUIT, SIGNAL NO. 14 5C	233 M
ELECTRIC CABLE IN CONDUIT, SIGNAL NO. 14 7C	311 M
ELECTRIC CABLE IN CONDUIT, LEAD-IN, NO. 18, 3 PAIR	913 M
ELECTRIC CABLE IN CONDUIT, GROUNDING, NO. 6 1/C	350 M
STEEL COMBINATION MAST ARM ASSEMBLY AND POLE 10.36 METER	1 EA.
STEEL COMBINATION MAST ARM ASSEMBLY AND POLE 10.97 METER	1 EA.
STEEL COMBINATION MAST ARM ASSEMBLY AND POLE 15.24 METER	2 EA.
CONCRETE FOUNDATION, TYPE D	1.1 M
CONCRETE FOUNDATION, TYPE E, 750mm DIA.	8.2 M
CONCRETE FOUNDATION, TYPE E, 900mm DIA.	9.2 M
SIGNAL HEAD, 1-FACE, 3-SECTION, MAST ARM MOUNTED	6 EA.
SIGNAL HEAD, 1-FACE, 5-SECTION, BRACKET MOUNTED	2 EA.
SIGNAL HEAD, 1-FACE, 4-SECTION, MAST ARM MOUNTED	2 EA.
SIGNAL HEAD, 1-FACE, 3-SECTION, BRACKET MOUNTED	2 EA.
TRAFFIC SIGNAL BACKPLATE, LOUVERED	8 EA.
LUMINAIRE, SODIUM VAPOR, HORIZONTAL MOUNT, 400 WATT	4 EA.
LIGHTING CONTROLLER PHOTOCELL RELAY	1 EA.
SERVICE INSTALLATION, TYPE B	1 EA.
TRENCH AND BACKFILL FOR ELECTRICAL WORK	1,273 M
INDUCTIVE LOOP DETECTOR	10 EA.
DETECTOR LOOP, TYPE 1	394 M
REMOVE EXISTING CONCRETE FOUNDATION	1 EA.
REMOVE EXISTING HANDHOLE	1 EA.
FULL ACTUATED CONTROLLER AND TYPE IV CABINET, SPECIAL	1 EA.

NOTE: QUANTITIES INCLUDE THE INTERCONNECT FROM WOODSIDE DR./SERVICE DR. #2 TO CEDAR HILLS DR.



LIGHTING CIRCUIT DIAGRAM



DETECTOR ASSIGNMENT SCHEDULE		
DETECTOR LOOP	ASSIGNED PHASE	NO. OF CHANNELS REQUIRED
D-1	1	1
D-2A, D-2B	2	2
D-4A, D-4B	4	2
D-5	5	1
D-6A, D-6B	6	2
D-8A, D-8B	8	2
TOTAL NUMBER OF CHANNELS REQUIRED:		10

ILLINOIS DEPARTMENT OF TRANSPORTATION

PROPOSED TRAFFIC WIRING DIAGRAM

F.A. RTE. 646 (IL. RTE. 40) &

WOODSIDE DRIVE/SERVICE DRIVE #2

SECTION 125W-1, RS-2

PEORIA COUNTY

DESIGNED BY: DATE: 03/13/09

DRAWN BY: JRC, JDU

CHECKED BY: ECM