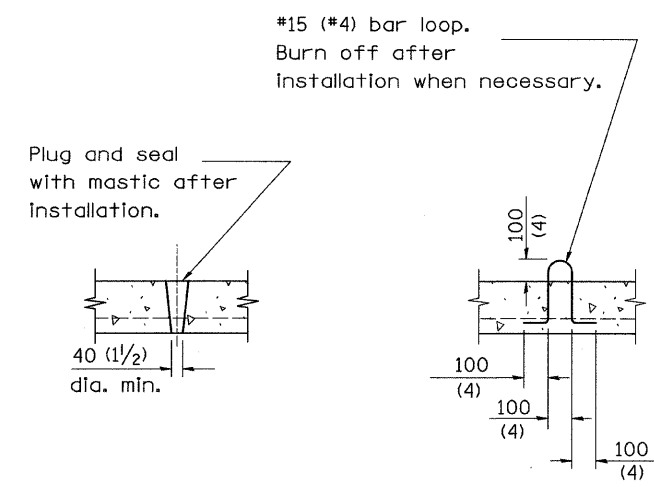
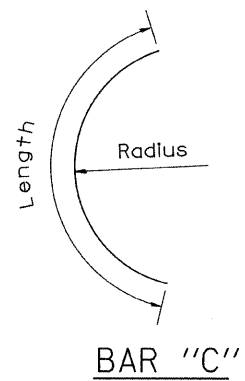


PLAN



LIFTING HOLE OR LIFTING LOOP
TYPICAL

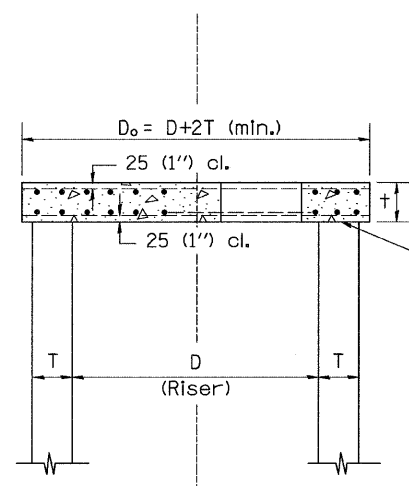
(3 required per slab)



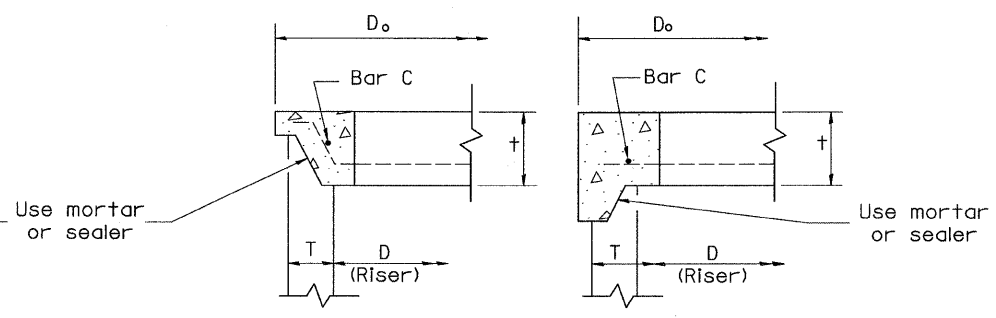
BAR "C"

TABLE

D	T	D _o (min.)	t	Reinforcement "As" W.W.F. each direction	Bar size	No. 15 (No. 4) Bar C	
						Length	Radius
1.2m (4')	125 (5)	1.5m (4'-10")	150 (6)	1480mm ³ / ₈ m (0.70 sq. inch/lin. ft.)	No. 15 (No. 5)	1.35m (4'-6")	660 (26)
1.5m (5')	150 (6)	1.8m (6'-0")	200 (8)	1480mm ³ / ₈ m (0.70 sq. inch/lin. ft.)	No. 15 (No. 5)	1.5m (5'-0")	810 (32)
1.8m (6')	195 (7 3/4)	2.2m (7'-3 1/2")	200 (8)	1860mm ³ / ₈ m (0.88 sq. inch/lin. ft.)	No. 20 (No. 6)	1.8m (6'-0")	965 (38)
2.4m (8')	225 (9)	2.9m (9'-6")	250 (10)	1860mm ³ / ₈ m (0.88 sq. inch/lin. ft.)	No. 20 (No. 6)	2.3m (7'-6")	1,27m (4'-2")



SECTION A-A



ALTERNATE JOINT CONFIGURATIONS

GENERAL NOTES

1. The precast reinforced concrete flat slab top shall be used with INLET-MANHOLE, TYPE G-1 and INLET-MANHOLE, TYPE G-1, SPECIAL.
2. Joint configuration and dimensions of flat slab top shall match and fit the riser joint detail.
3. Lifting devices shall be approved by the Engineer.

All dimensions are in millimeters (inches) unless otherwise noted.

ILLINOIS DEPARTMENT OF TRANSPORTATION
DISTRICT CADD STANDARD
PRECAST REINFORCED CONCRETE
FLAT SLAB TOP FOR
INLET-MANHOLE, TYPE G-1 AND
TYPE G-1, SPECIAL
CADD STANDARD 602101-D4
SCALE NOT TO SCALE
DATE **DATE**
DRAWN BY CADD
CHECKED BY

DATE	REVISIONS	BY
1-1-97	RENUM. B-4.07, NEW REVISION BOX	T.P.

\$\$\$DATE\$\$\$