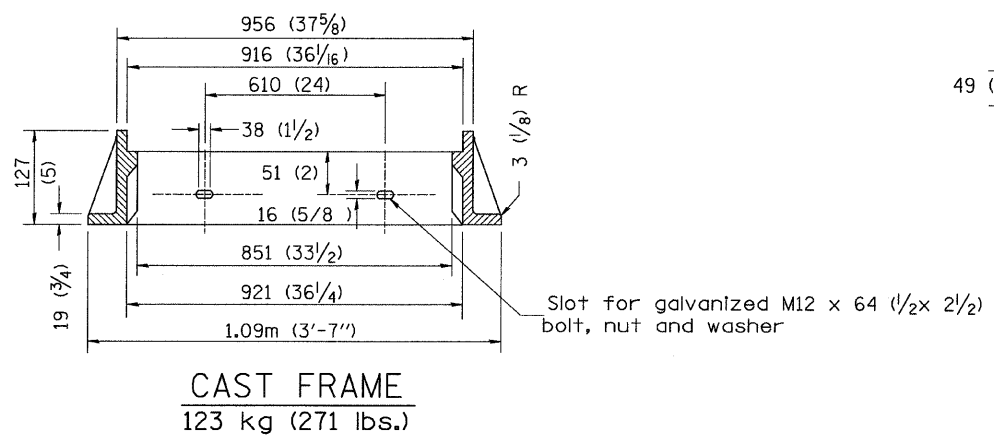
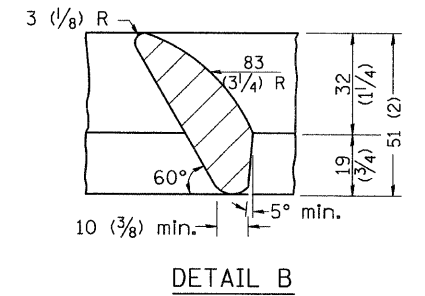
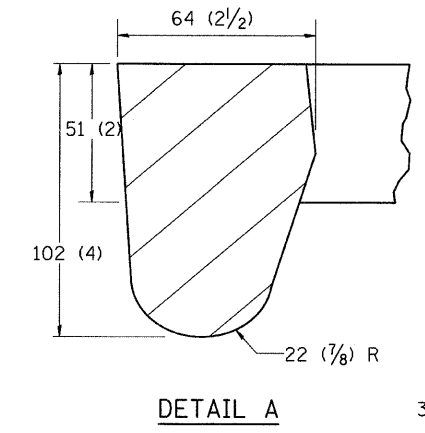
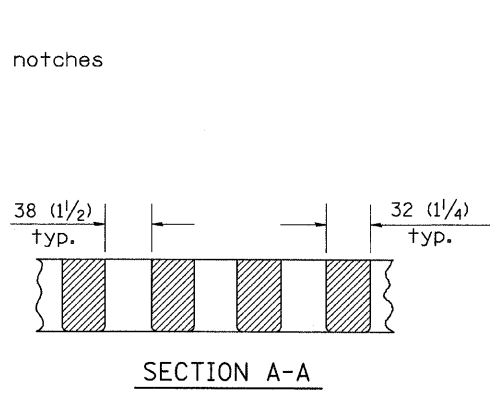


CAST VANE GRATES
(SPECIFY LEFT OR RIGHT FLOW)
104 KG (230 lbs.)



NOTE: Flow right shown

GENERAL NOTES

1. The frame and grate shown on this drawing are for use with all TYPE G-1 and TYPE G-1, SPECIAL DRAINAGE STRUCTURES. See plans for grate type and flow direction.
2. Flow direction: As viewed from street side.
3. Material: cast gray iron.

DATE	REVISIONS	BY
1-1-97	RENUM. B-10.01, NEW REVISION BOX	T.P.

All dimensions are in millimeters (Inches) unless otherwise noted.

ILLINOIS DEPARTMENT OF TRANSPORTATION
DISTRICT CADD STANDARD
FRAME AND GRATES FOR
TYPE G-1 AND TYPE G-1, SPECIAL
DRAINAGE STRUCTURES
CADD STANDARD 604001-D4
SCALE NOT TO SCALE
DATE **DATE**

DRAWN BY CADD
CHECKED BY

4. This drawing based upon "NEENAH" designs as follows: Inlet Frame: R-3246-A, Curb Box: R-3290, Reversible Diagonal Grates: R-3246-A, Vane Grates: R-3246-AL (flow left), R-3246-AL (flow right).