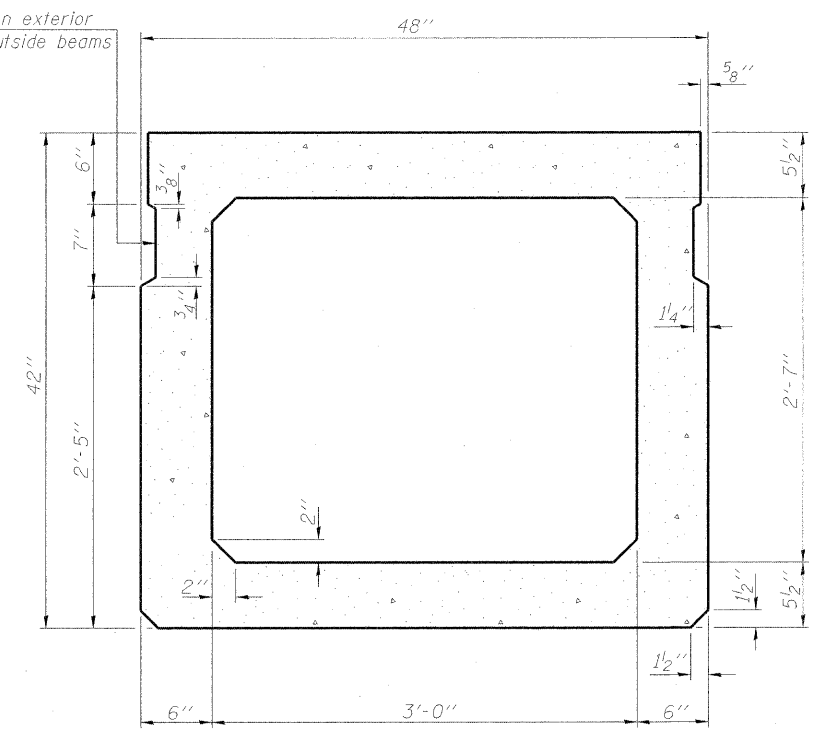
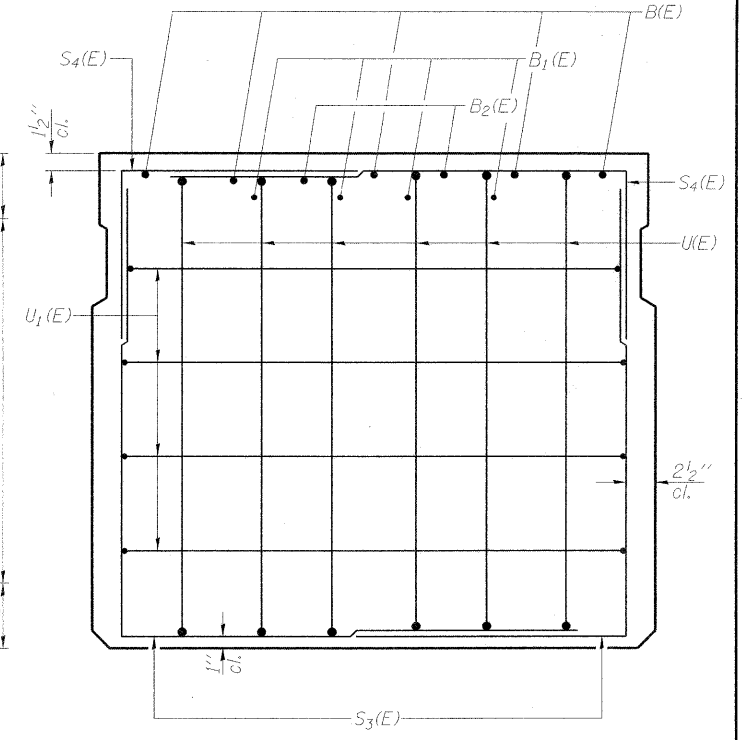


SECTION C-C

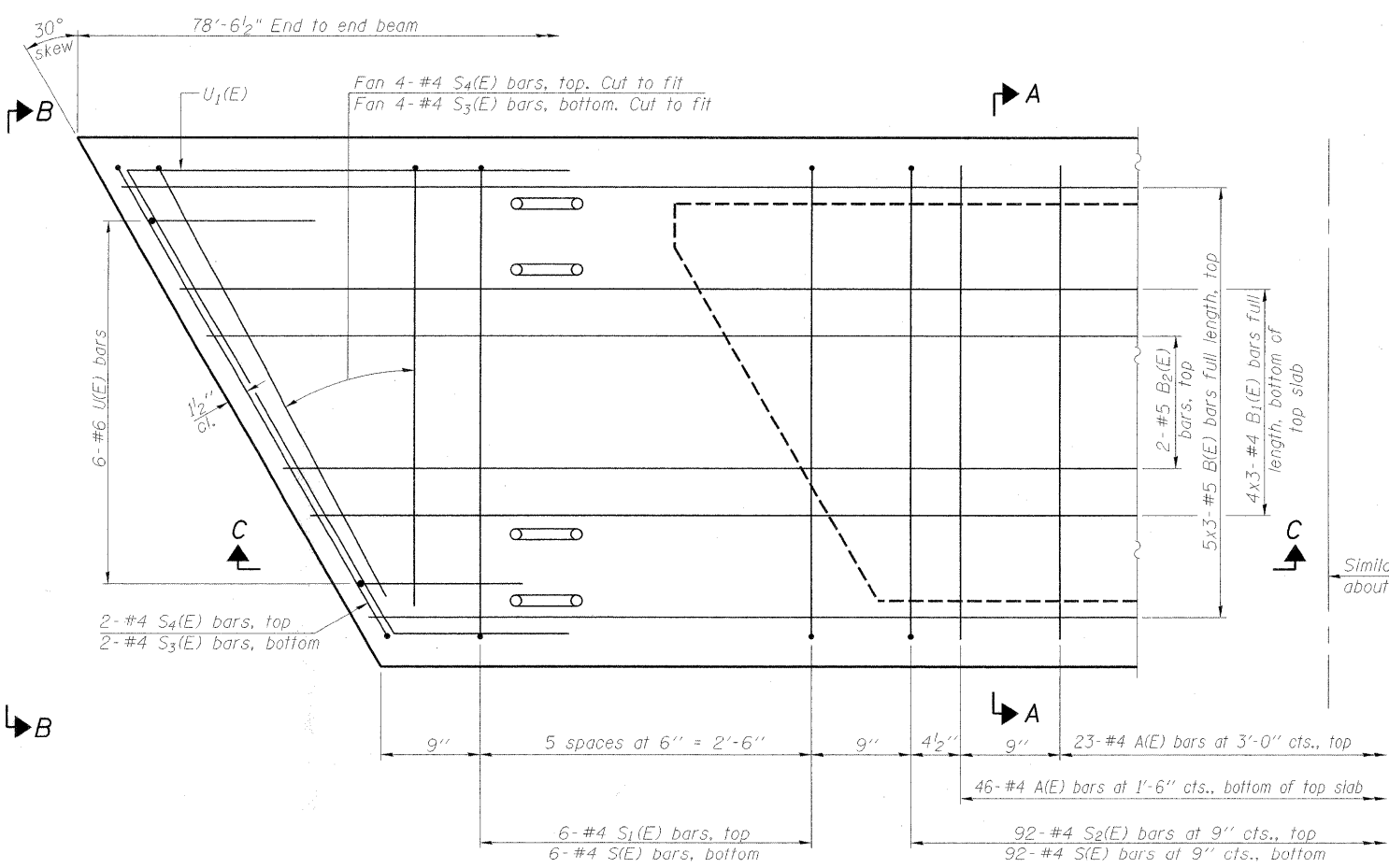
Omit key on exterior face of outside beams



SECTION A-A
(Showing dimensions)

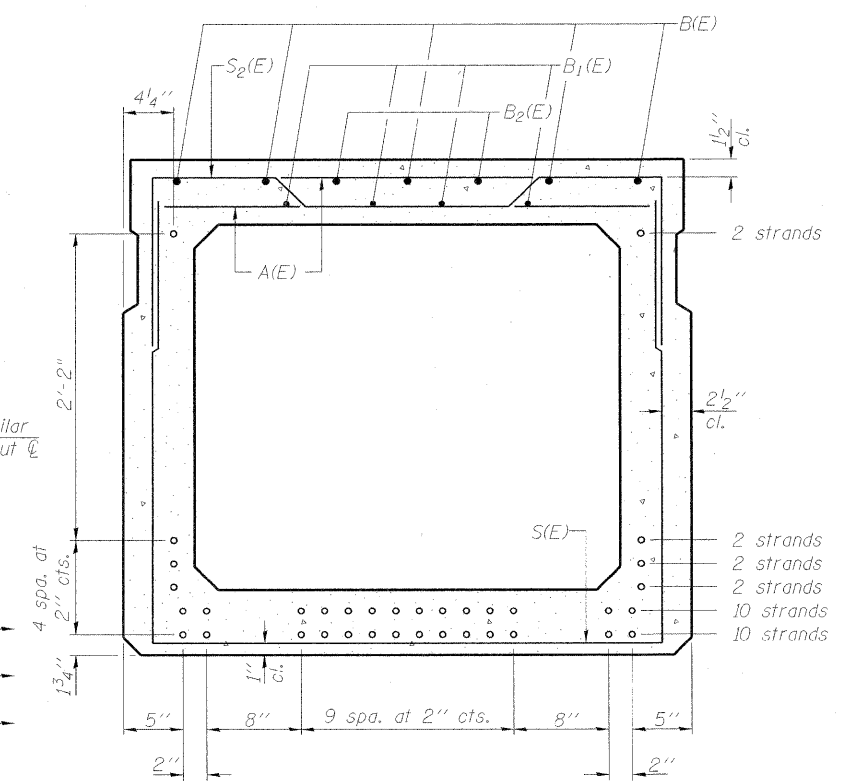


VIEW B-B



PLAN VIEW

Note: Spacing of S(E) and S2(E) bars may be adjusted up to 4" in the immediate area of the transverse tie diaphragms to miss the block outs for the transverse ties.



SECTION A-A
(Showing reinforcement and permissible strand locations)

Note: Place the number of strands specified in each row symmetrically about the centerline of beam in the permissible strand locations shown.

BAR LIST
ONE BEAM ONLY
(For information only)

Bar	No.	Size	Length	Shape
A(E)	69	#4	3'-7"	—
B(E)	15	#5	28'-2"	—
B1(E)	12	#4	27'-9"	—
B2(E)	4	#5	16'-0"	—
D(E)	28	#4	4'-4"	—
S(E)	104	#4	9'-11"	U
S1(E)	12	#4	7'-3"	U
S2(E)	92	#4	7'-6"	U
S3(E)	12	#4	7'-2"	U
S4(E)	12	#4	5'-10"	U
U(E)	12	#6	5'-9"	U
U1(E)	8	#4	8'-7"	U

* Fascia Beam only. See Sheet 6 of 11 for bar detail.

Note: See sheet 5 of 11 for additional details and Bill of Material.

PPC DECK BEAM DETAILS
TODD SCHOOL ROAD BRIDGE
OVER BRANCH OF COPPERAS CREEK
CH D56
SEC. 08-00041-02-BR
PEORIA COUNTY, ILLINOIS
STATION 37+55
STRUCTURE NO. 072-3144

05/21/2009
 I:\08\08106\08106\08106\Struct\Sheet\S-004-deck beam.dgn
 LAYOUT: JMR 01/14/09
 DRAWN: MDM 02/06/09
 REVIEWED: SAK 02/06/09

Corporate License Number 184-001-084
 © Copyright Hanson Professional Services Inc. 2009
 OBL0071
 DATE 02/06/09

SHEET NO. 4	CH D56	SECTION 08-00041-02-BR	COUNTY PEORIA	TOTAL SHEETS 25	SHEET NO. 12
11 SHEETS	CONTRACT NO. 89479				
FED. ROAD DIST. NO. 2 ILLINOIS FED. AID PROJECT					