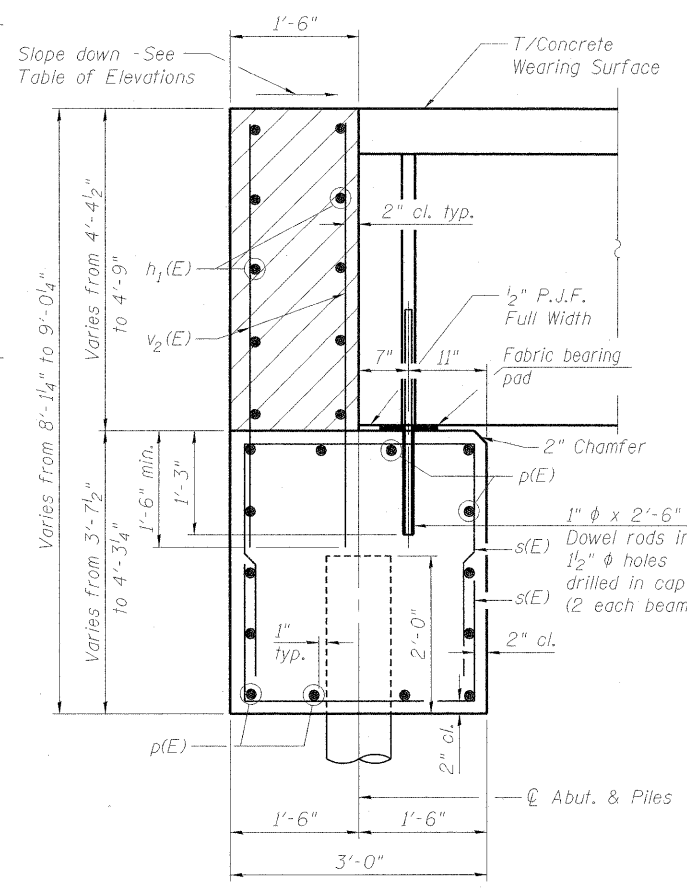


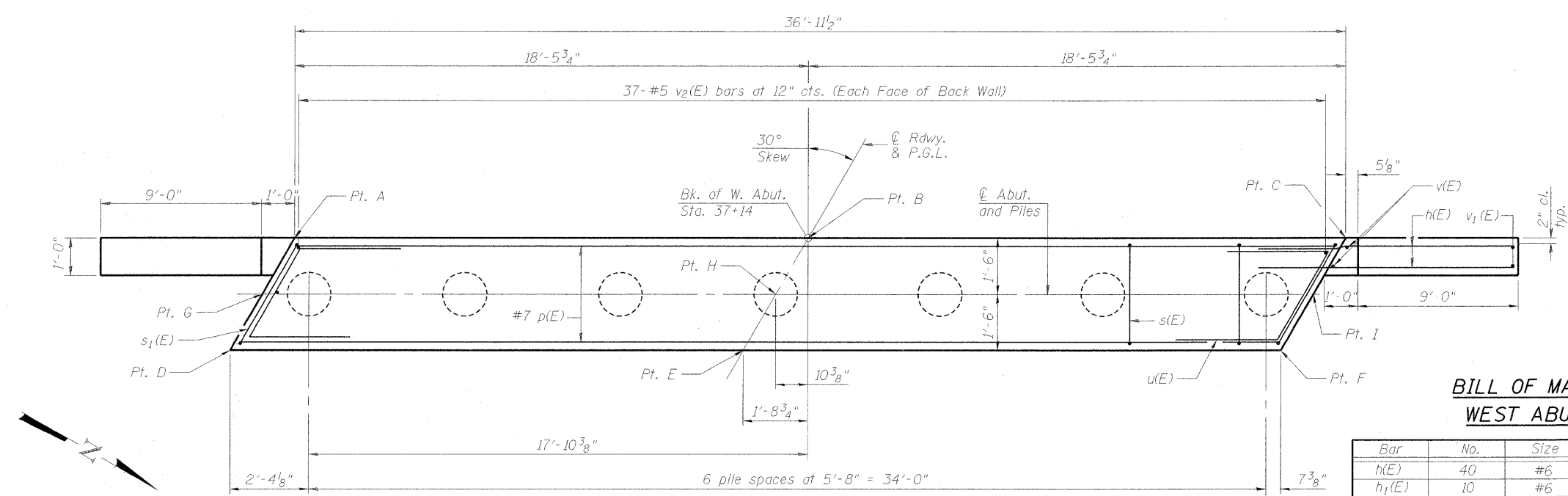
ELEVATION
(Looking West)

Dimensions given are at back of abutment



SECTION THRU ABUTMENT

All dimensions at Rt. L to cap.



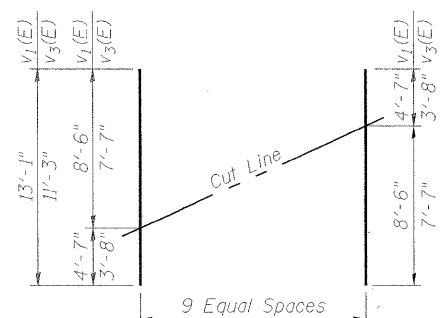
PLAN

TABLE OF ELEVATIONS - WEST ABUTMENT

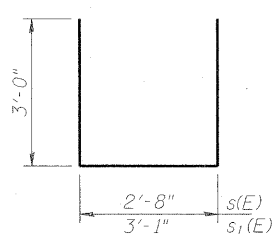
	Pt. A	Pt. B	Pt. C	Pt. D	Pt. E	Pt. F	Pt. G	Pt. H	Pt. I
T/Cap	546.03	546.59	546.68	545.91	546.47	546.56	—	—	—
T/Bk. Wall	550.51	550.96	551.43	—	—	—	549.43	550.87	551.34

PILE DATA

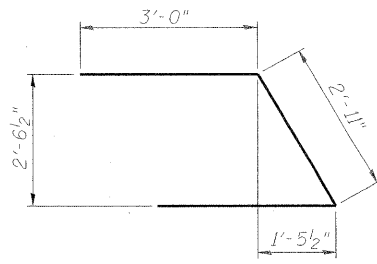
Type: Metal Shell - 14 in. dia. x 0.312 in. walls
 Nominal Required Bearing: 440 Kips
 Factored Resistance Available: 220 Kips
 Est. Length: 60 ft.
 No. Production Piles: 6
 No. Test Piles: 1



BARS v1(E) & v3(E)



BARS s(E) & s1(E)



BAR u(E)

**BILL OF MATERIAL
WEST ABUTMENT**

Bar	No.	Size	Length	Shape
h(E)	40	#6	13'-0"	—
h1(E)	10	#6	36'-7"	—
p(E)	14	#7	36'-7"	—
s(E)	84	#6	8'-8"	U
s1(E)	4	#6	9'-1"	U
u(E)	10	#6	8'-11"	—
v(E)	4	#4	8'-8"	—
v1(E)	10	#4	13'-1"	—
v2(E)	74	#5	6'-0"	—
v3(E)	10	#4	11'-3"	—

Structure Excavation	Cu. Yd.	119
Concrete Structures	Cu. Yd.	29.9
Reinforcement Bars, Epoxy Coated	Pound	4320
Furnishing Metal Shell Piles	Foot	360
Driving Piles	Foot	360
Test Pile, Metal Shell	Each	1

* Field cut as required in fit in S. Wing.

NOTES:

After beams have been erected, holes shall be drilled into substructure and anchor dowels placed. Dowel holes shall be filled with non-shrink grout to top of beam and allowed to cure min. 24 hrs. prior to grouting the shear keys.
 All horizontal dimensions are at right angles to beam ends. Hatched area to be poured after Concrete Wearing Surface is in place. See Section Thru Abutment on sheet 3 of 11. See sheet 5 of 11 for bearing pad details.
 Space cap reinforcement to miss Dowel Rods.

WEST ABUTMENT
TODD SCHOOL ROAD BRIDGE
OVER BRANCH OF COPPERAS CREEK
CH D56
SEC. 08-00041-02-BR
PEORIA COUNTY, ILLINOIS
STATION 37+55
STRUCTURE NO. 072-3144

08L0071 02/06/09	Corporate License Number 184-001-084 © Copyright Hanson Professional Services Inc. 2009		SHEET NO. 8 11 SHEETS	CH	SECTION	COUNTY	TOTAL SHEETS	SHEET NO.
	D56	08-00041-02-BR		PEORIA	25	16	CONTRACT NO. 89479	
				FED. ROAD DIST. NO. 2 ILLINOIS FED. AID PROJECT				

05/24/2009
 A:\08\00041-02\0071\08L0071\08L0071.dgn
 LAYOUT: MKR 10/14/09
 DRAWN: MCM 02/06/09
 REVIEWED: SMK 02/06/09