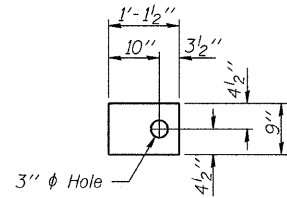


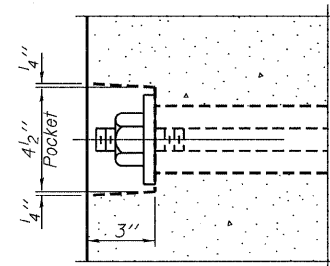
**FABRIC BEARING PAD**  
(Interior - 12 Req'd.)



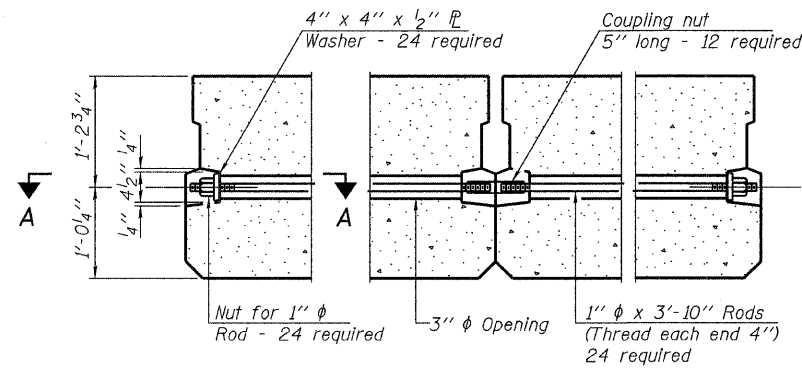
**FABRIC BEARING PAD**  
(Exterior - 4 Req'd.)

**FIXED**

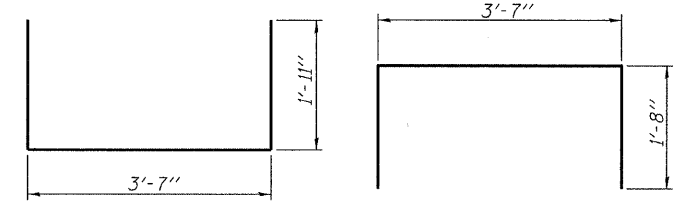
Note: Omit holes when using expansion bearings.



**SECTION A-A**

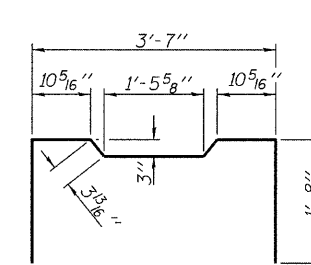


**TYPICAL TRANSVERSE TIE ASSEMBLY**

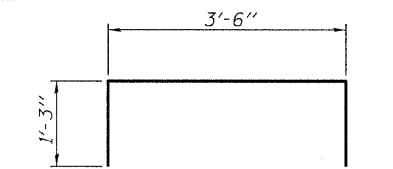


**BAR S1(E)**

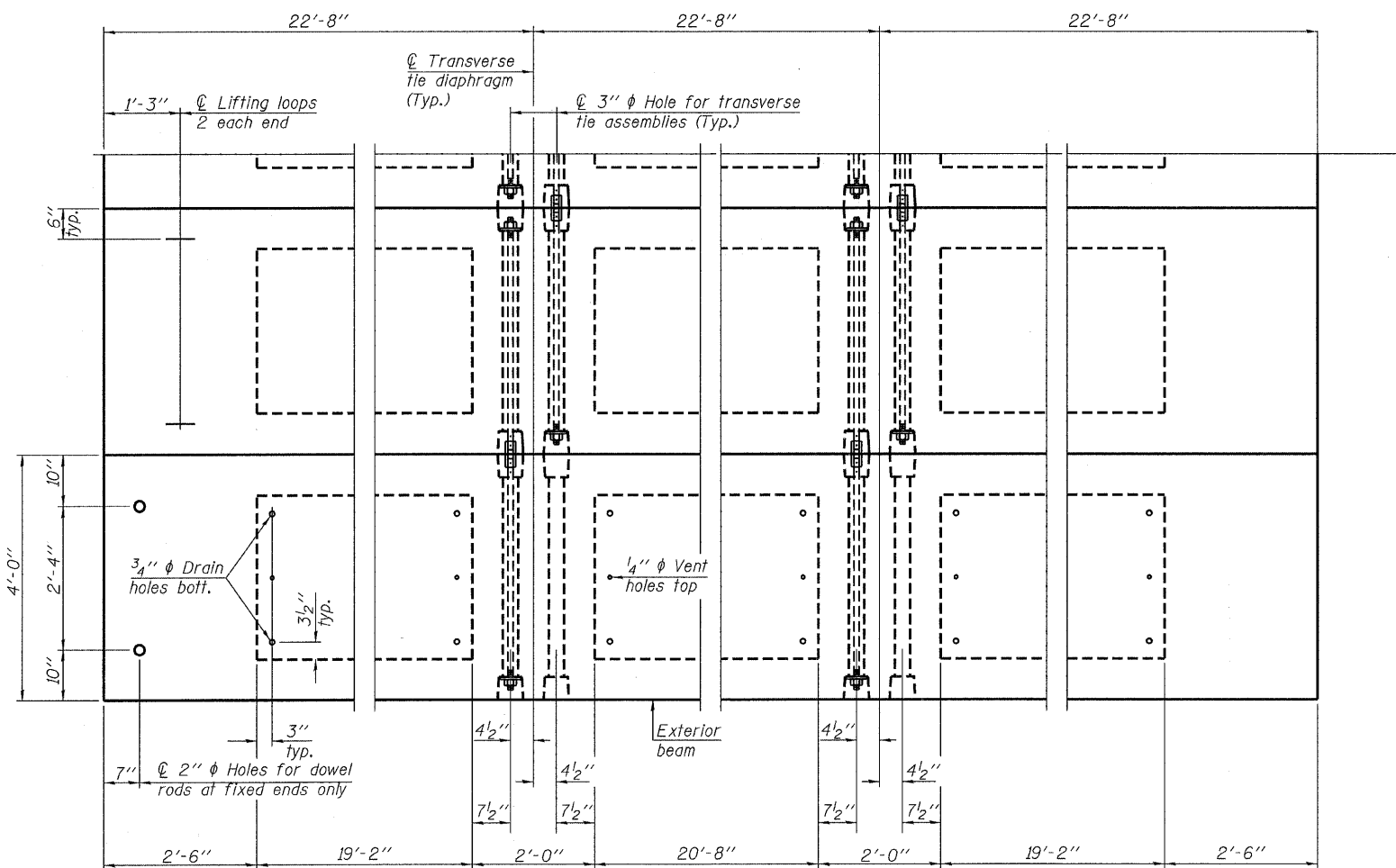
**BAR S2(E)**



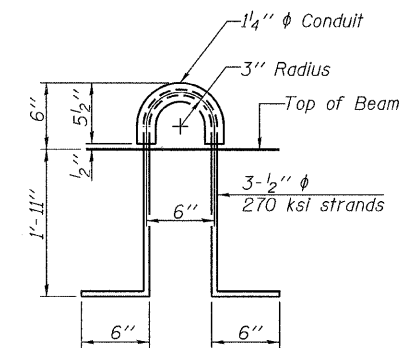
**BAR U1(E)**



**BAR U2(E)**



**PLAN VIEW**



**LIFTING LOOP DETAIL**

**NOTES**

- Prestressing steel shall be uncoated high strength, low relaxation 7-wire strand, Grade 270. The nominal diameter shall be 1/2 inch and the nominal cross-sectional area shall be 0.153 sq. in.
- The 1 inch rods in the transverse tie assembly shall be tightened to a snug fit and the threads set. Pockets on exterior faces of bridge shall be filled with grout after transverse tie assembly is in place.
- Reinforcement bars shall conform to ASTM A 706, Grade 60. (See Special Provisions).
- Two 1/8 inch fabric adjusting shims of the dimensions of the exterior bearing pad shall be provided for each bearing pad location.
- A minimum 2 1/2 inch diameter lifting pin shall be used to engage the lifting loops during handling.
- Corrosion Inhibitor, per Article 1020.05(b)(12) and 1021.06 of the Standard Specifications, shall be used in the concrete for precast prestressed concrete deck beams.
- Compressive strength of prestressed concrete, f'c, shall be 6000 psi.
- Compressive strength of prestressed concrete at release, f'cl, shall be 5000 psi.

Note: Connect beams in pairs with the transverse tie configuration shown.

DESIGNED - A.S.L.
CHECKED - S.W.M.
DRAWN - D.A.B.
CHECKED - D.T.M.

PD-2748-0D

10-1-08

**BILL OF MATERIAL**

Precast Prestressed Conc. Deck Bms. (27" depth)	Sq. Ft.	1,904
---	---------	-------

**SUPERSTRUCTURE DETAILS**  
**27" x 48" PPC DECK BEAM DETAILS**  
**STRUCTURE NO. 088-3223**

 HAMPTON, LENZINI & RENWICK, INC. CIVIL & STRUCTURAL ENGINEERS LAND SURVEYORS 3085 STEVENSON DRIVE, SUITE 201 SPRINGFIELD, ILLINOIS 62703 (217) 548-3400	C.H.	SECTION	COUNTY	TOTAL SHEETS	SHEET NO.
	23	08-00158-00-BR	STARK	23	16
PROJECT NUMBER: 08.0274.130			DATE: 05/13/09		
FED. ROAD DIST. NO.		ILLINOIS FED. AID PROJECT		CONTRACT NO. 89509	