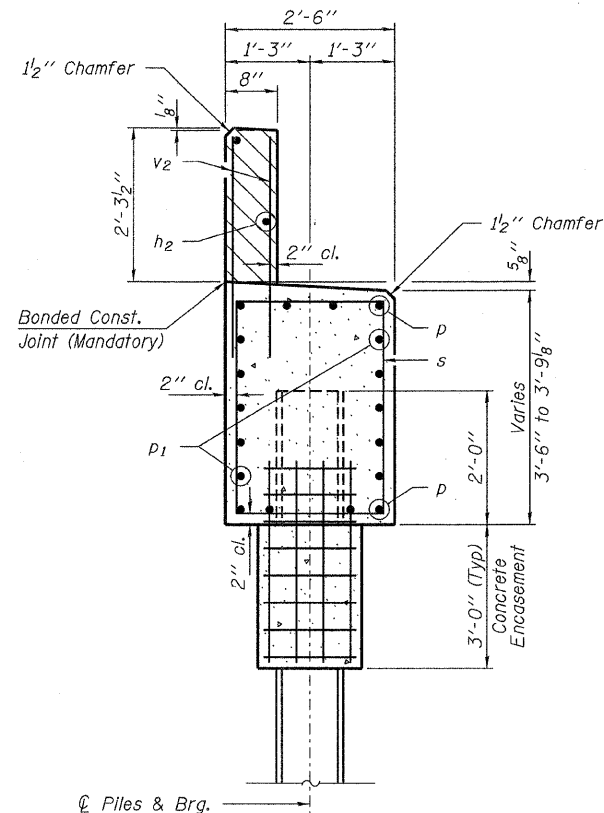
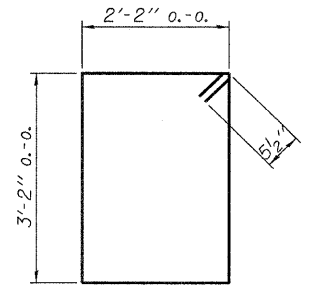


PLAN

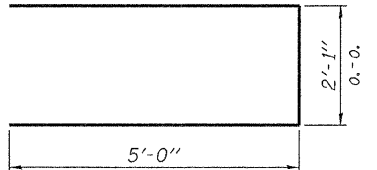


SECTION A-A

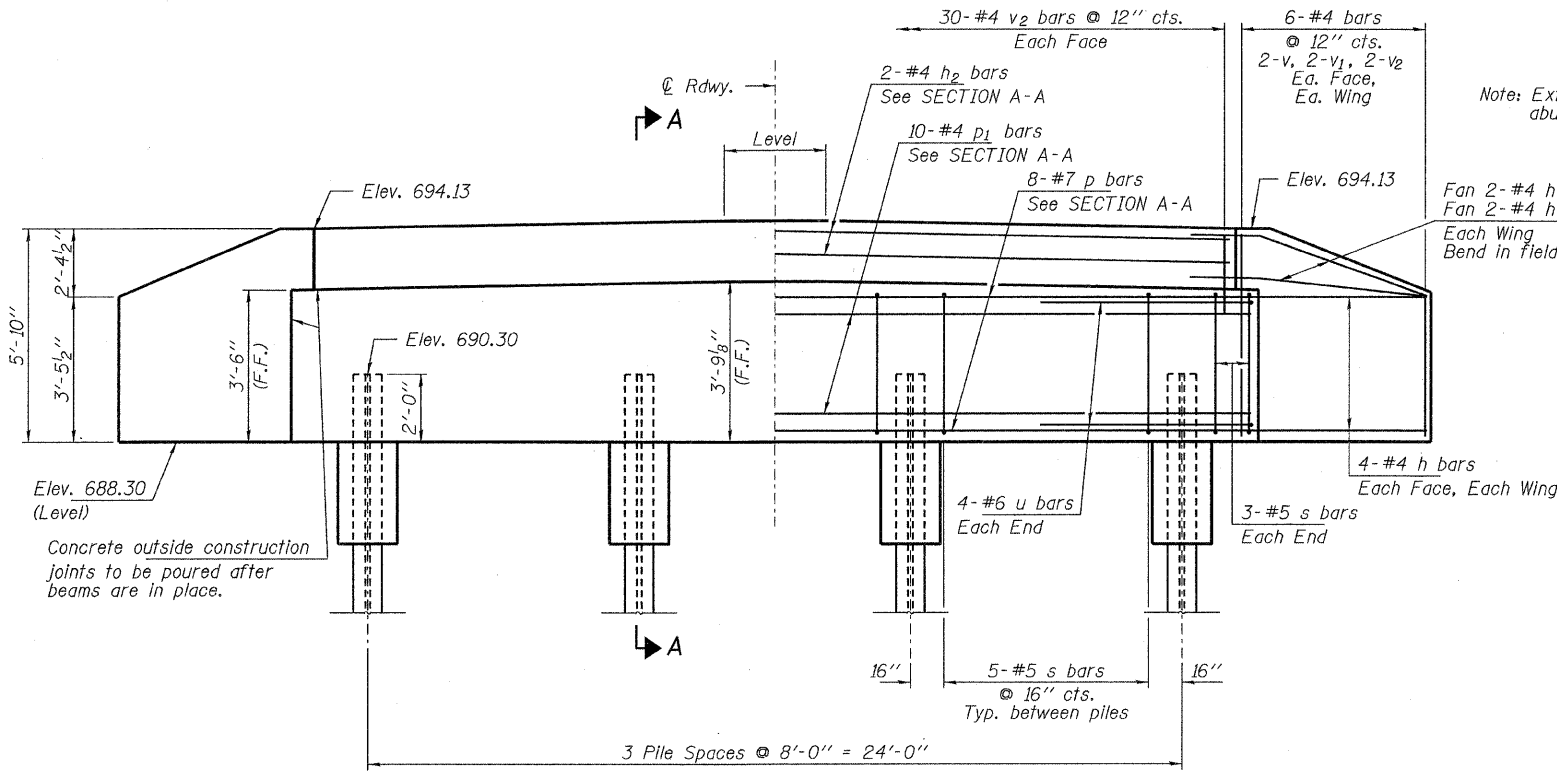
Hatched area to be poured after beams are in place.



BAR s



BAR u



ELEVATION
(Looking South)

Note: Extend h bars into abutment cap.

Fan 2-#4 h bars (B.F.)
Fan 2-#4 h1 bars (F.F.)
Each Wing
Bend in field.

PILE DATA

Type ----- Steel HP12x53
No. Req'd. (S. Abut.) ----- 4
Factored Resistance Available (Rf) ----- 209 Kips/Pile
Nominal Required Bearing (Rn) ----- 419 Kips/Pile
Est. Length ----- 25 Ft/Pile

Notes: * Includes one test pile to be driven in permanent locations at the South Abutment.

The Steel H-Piles shall be according to AASHTO M270 Grade 50.

The test piles shall be driven to 110 percent of the Nominal Required Bearing indicated in the pile data information.

BILL OF MATERIAL - S. ABUT.

| BAR | NO. | SIZE | LENGTH | SHAPE |
|-------------------------|-----|------|---------|-------|
| h | 20 | #4 | 7'-0" | — |
| h1 | 4 | #4 | 5'-6" | — |
| h2 | 2 | #4 | 29'-2" | — |
| p | 8 | #7 | 29'-2" | — |
| p1 | 10 | #4 | 29'-2" | — |
| s | 21 | #5 | 11'-7" | □ |
| u | 8 | #6 | 12'-1" | — |
| v | 8 | #4 | 5'-2" | — |
| v1 | 8 | #4 | 4'-2" | — |
| v2 | 68 | #4 | 3'-2" | — |
| Concrete Structures | | | Cu. Yd. | 13.5 |
| Concrete Encasement | | | Cu. Yd. | 1.4 |
| Reinforcement Bars | | | Pound | 1,410 |
| Steel Piles HP12x53 | | | Foot | 75 |
| Test Pile Steel HP12x53 | | | Each | 1 |

| |
|-------------------|
| DESIGNED - A.S.L. |
| CHECKED - S.W.M. |
| DRAWN - D.A.B. |
| CHECKED - D.T.M. |

HAMPTON, LENZINI & RENWICK, INC.
CIVIL & STRUCTURAL ENGINEERS
LAND SURVEYORS

HLR 3085 STEVENSON DRIVE, SUITE 201
SPRINGFIELD, ILLINOIS 62703
(217) 546-3400

PROJECT NUMBER: 08.0274.130 DATE: 05/13/09

| | | | | |
|---|----------------|--------|--------------|-----------|
| C.H. | SECTION | COUNTY | TOTAL SHEETS | SHEET NO. |
| 23 | 08-00158-00-BR | STARK | 23 | 20 |
| CONTRACT NO. 89509 | | | | |
| FED. ROAD DIST. NO. ILLINOIS FED. AID PROJECT | | | | |