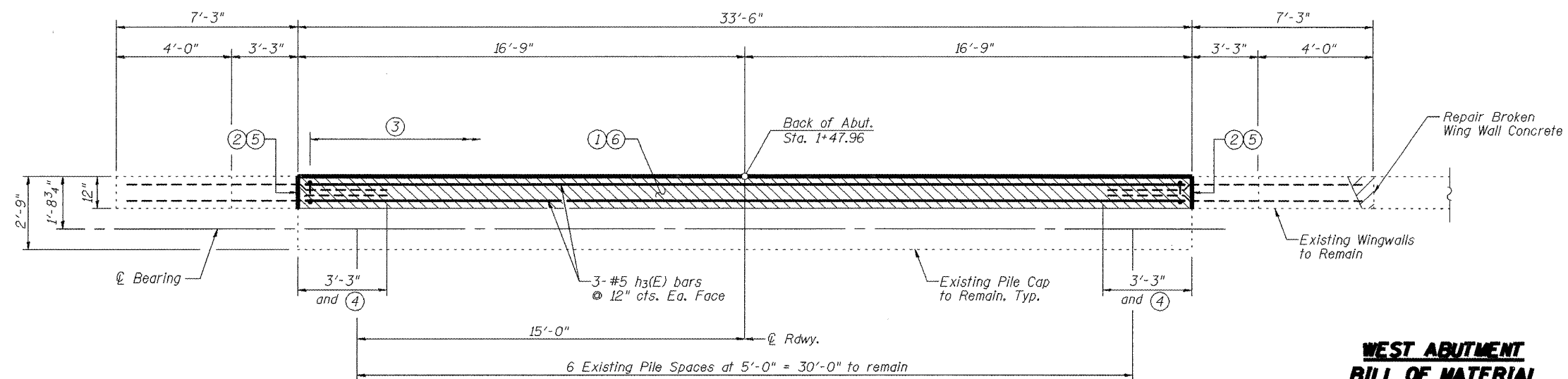


WEST ABUTMENT ELEVATION

Hatched Area to be poured after beams are in place.

SECTION THRU WEST ABUTMENT



WEST ABUTMENT PLAN

WEST ABUTMENT MODIFICATIONS

- ① Remove existing back wall in order to replace deck joint seal. Concrete removal shall be in accordance with Article 501.05 of the Standard Specifications.
- ② 3/4" saw cut for concrete removal.
- ③ Incorporate existing #4 at 12" cts. vertical bars into new concrete.
- ④ Incorporate 6- #5 horizontal bars from wing walls into new concrete. Lap 3'-0" min. with new horizontal #5 h3(E) bars.
- ⑤ Bonded construction joint new concrete to old.
- ⑥ New Concrete Structures back wall cast after new PPC deck beams are secured in place and shear keys are grouted and cured. See Strip Seal Joint Details for additional top of wall details.

WEST ABUTMENT BILL OF MATERIAL

Bar	No.	Size	Length	Shape
h3(E)	6	#5	33'-5"	
Concrete Removal			Cu. Yd.	2.8
Concrete Structures			Cu. Yd.	3.2
Reinforcement Bars, Epoxy Coated			Pound	210
Structure Excavation			Cu. Yd.	7
Controlled Low-Strength Material			Cu. Yd.	5
Concrete Sealer			Sq. Ft.	178
Structural Repair of Concrete, Depth > 5"			Sq. Ft.	2

**WEST ABUTMENT DETAILS
SPOON RIVER ROAD
STATION 2+25.00**

DESIGNED	PJL
CHECKED	LLV
DRAWN	MCM
CHECKED	PJL

<p>111 NE Jefferson Ave. Peoria, Illinois 61602 Ph: 309.676.8464 Fax: 309.676.5445 IL Design Firm Reg. No. 194-001518 www.aecom.com</p>	HWY	SECTION	COUNTY	TOTAL SHEETS	SHEET NO.
	CH R15	08-00092-01-BR	PEORIA	16	15
	STRUCTURE NO. 072-3101				
FED. ROAD DIST. NO.		ILLINOIS	FED. AID PROJECT BROS-143(050)		

4/10/2009 10:43:10 AM K:\PROJECTS\200803642\DWG\072-3101.dgn