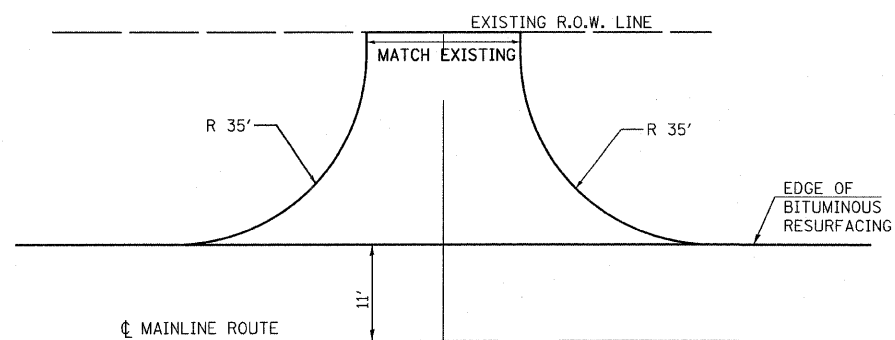
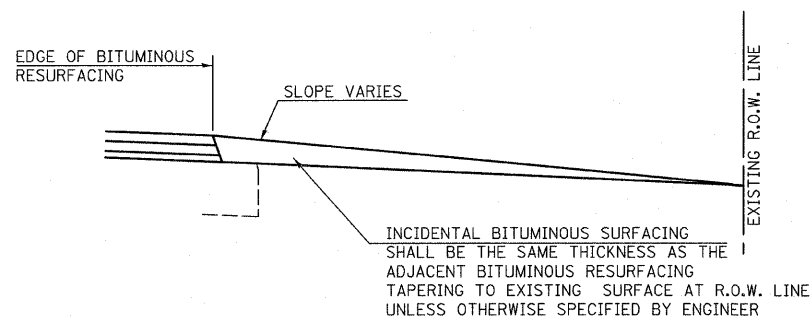


TYPICAL RURAL SIDE ROAD RETURN
& COMMERCIAL ENTRANCE DETAIL
8 @ 122.8 SQ YDS EACH

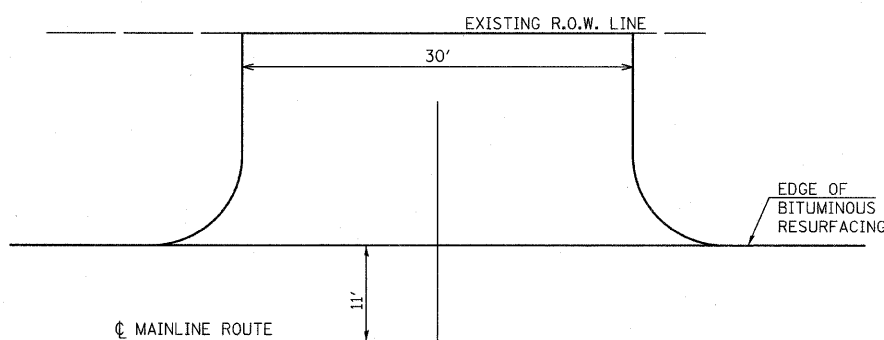


PLAN H

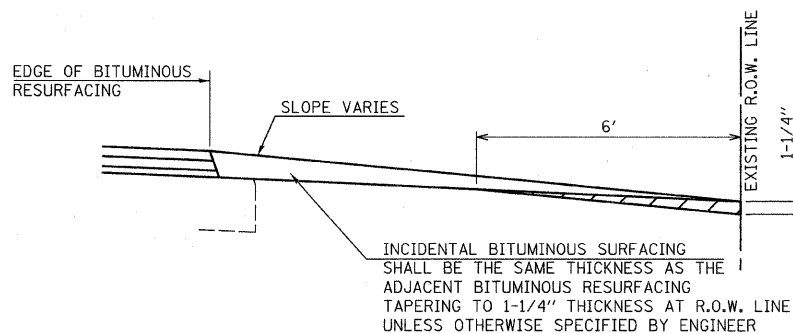


PROFILE H

SPECIAL COMMERCIAL ENTRANCE DETAIL 1
ENTRANCE TO SUPER 8 MOTEL
1 @ 107.4 SQ YDS

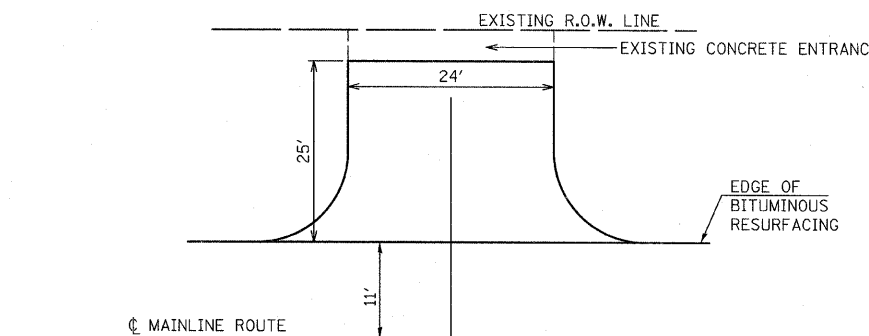


PLAN I

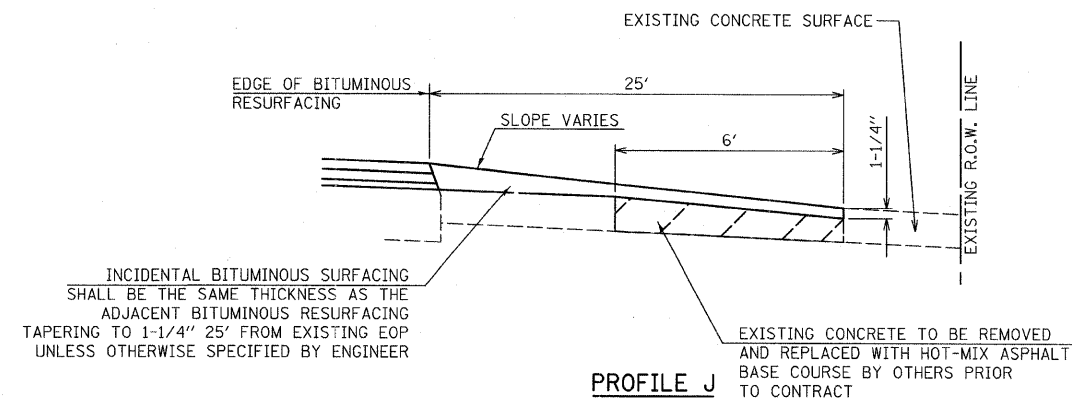


PROFILE I

SPECIAL COMMERCIAL ENTRANCE DETAIL 2
ENTRANCE TO LEROY FAMILY MEDICINE
1 @ 77.4 SQ YDS



PLAN J



PROFILE J

NOTES:

- ALL TEMPORARY & PERMANENT PAVEMENT STRIPING WILL BE DONE BY OTHERS.
- ALL FIELD ENTRANCES SHALL BE CONSTRUCTED WITH THE EXTENDABLE SCREED WIDENER AND PAID FROM HOT-MIX ASPHALT BINDER AND SURFACE COURSES.
- ALL SIDE ROAD RETURNS, PRIVATE ENTRANCES, COMMERCIAL ENTRANCES AND RURAL MAILBOX TURNOUTS ARE TO BE CONSTRUCTED AND PAID FROM INCIDENTAL HOT-MIX ASPHALT SURFACING.
- AGGREGATE SHOULDERS SHALL BE PLACED ALONG ALL SIDEROAD RETURN RADII AND SHALL BE PLACED ALONG AND BEHIND ALL FIELD ENTRANCES, GUADRAIL AND GUADRAIL RUNOUTS, MAILBOX TURNOUTS AND ALL PRIVATE AND COMMERCIAL ENTRANCES UNLESS SPECIFIED BY THE RESIDENT ENGINEER.
- ALL EXISTING GUADRAIL WILL BE ADJUSTED FOR HEIGHT AND TURNOUT BY THE McLEAN COUNTY HIGHWAY DEPARTMENT FOLLOWING THE PLACEMENT OF THE AGGREGATE SHOULDERS.

FILE NAME =
#FILE#

USER NAME = #USER#
DRAWN - EJJ
CHECKED -
DATE -

DESIGNED -
REVISIONS
REVISED -
REVISED -
REVISED -

DESIGNED -
REVISED -
REVISED -
REVISED -

STATE OF ILLINOIS
DEPARTMENT OF TRANSPORTATION

SCALE: SHEET NO. 2 OF 2 SHEETS STA. TO STA.

DETAILS

F.A.S. RTE. 494	SECTION 07-00058-06-WR	COUNTY McLEAN	TOTAL SHEETS 8	SHEET NO. 5
FED. ROAD DIST. NO. 5 [ILLINOIS] FED. AID PROJECT			CONTRACT NO. 91403	