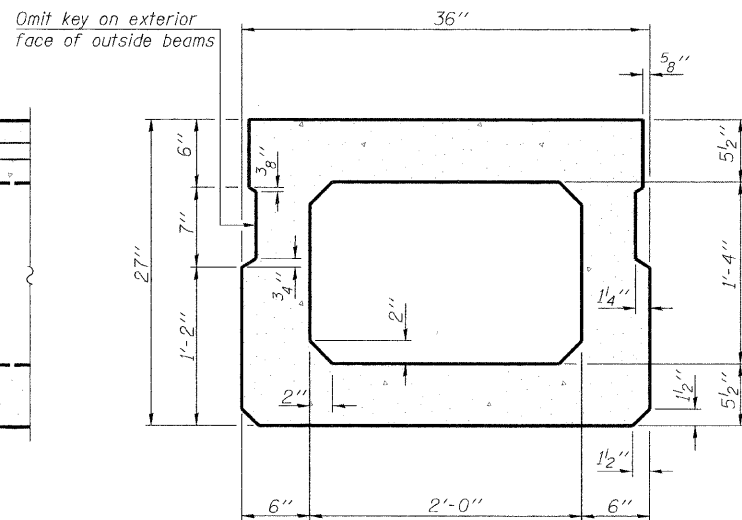
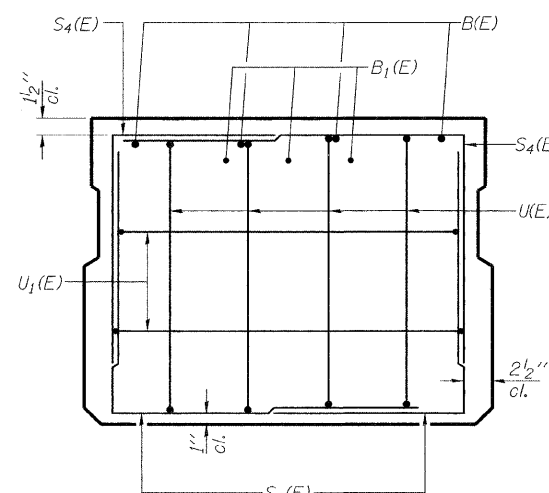


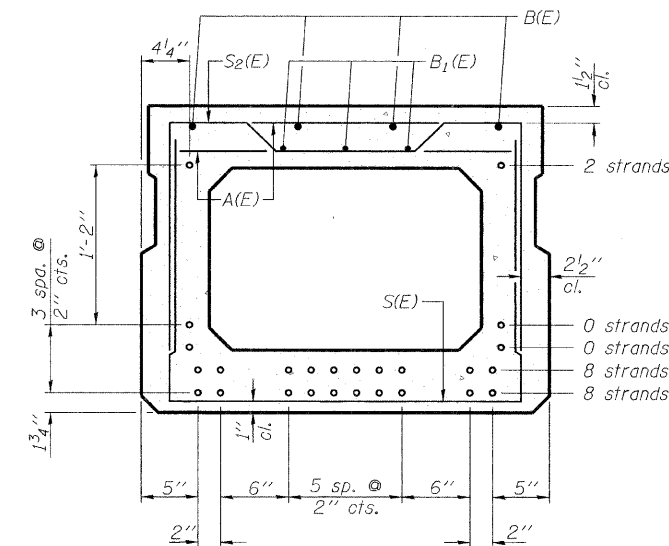
**SECTION C-C**



**SECTION A-A**  
(Showing dimensions)

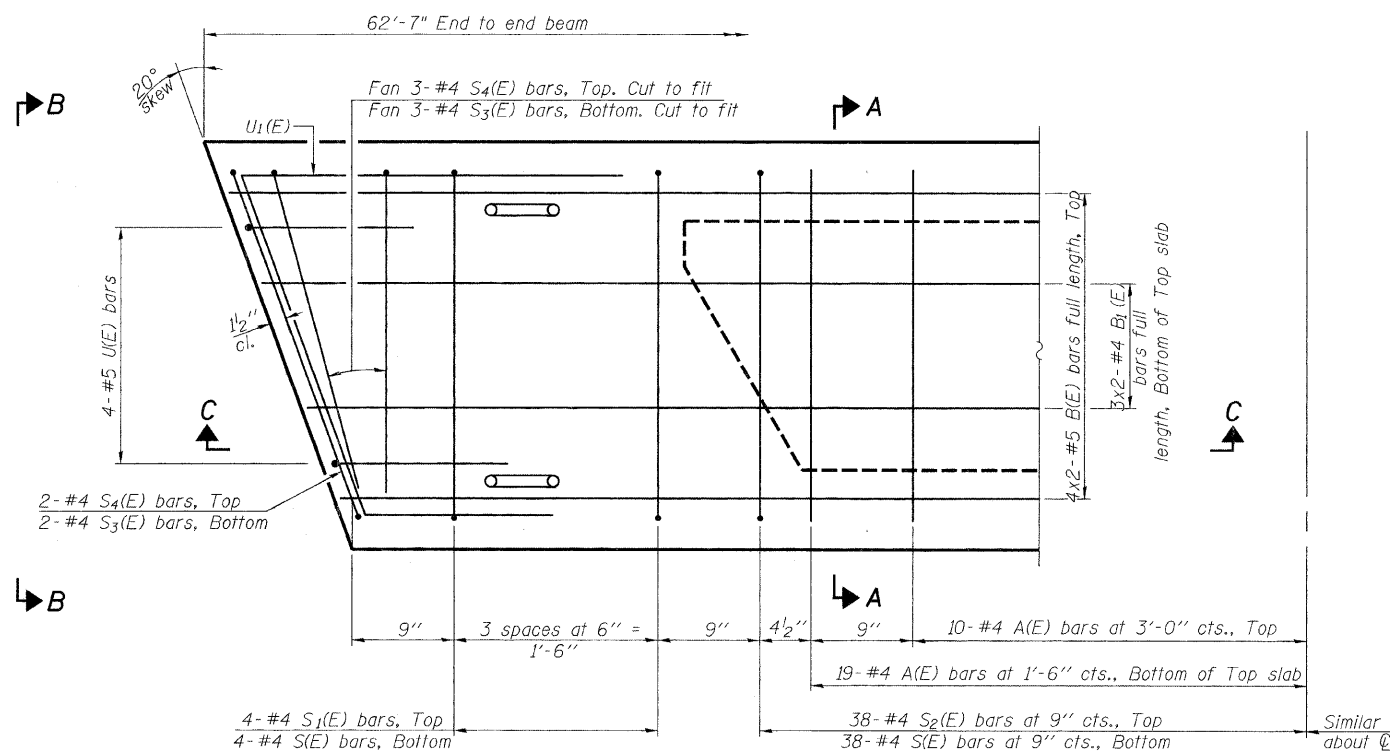


**VIEW B-B**



**SECTION A-A**

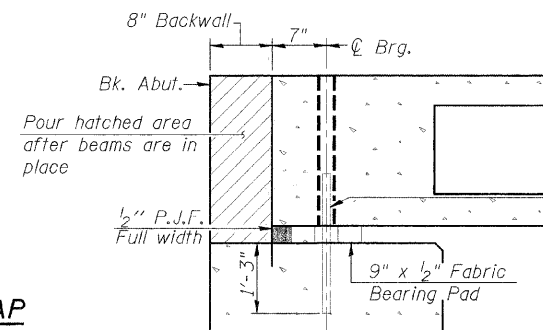
(Showing reinforcement and permissible strand locations)  
Note: Place the number of strands specified in each row symmetrically about the centerline of beam in the permissible strand locations shown.



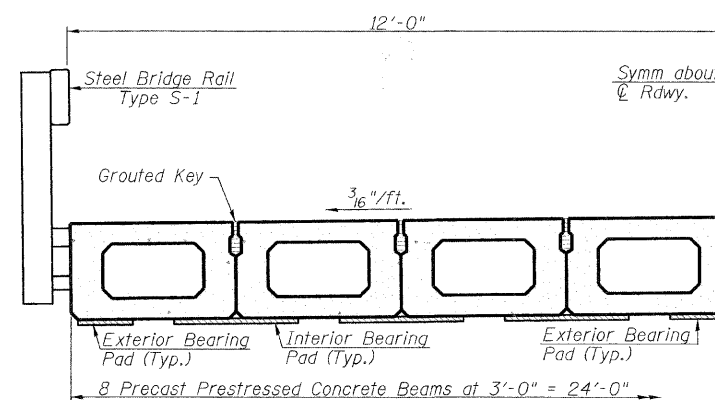
**PLAN VIEW**

Note: Spacing of S(E) and S2(E) bars may be adjusted up to 4" in the immediate area of the transverse tie diaphragms to miss the block outs for the transverse ties.

**MIN. BAR LAP**  
#4 bar = 1'-10"  
#5 bar = 2'-2"



**SECTION THRU ABUTMENT**  
(At Right Angles)



**HALF CROSS SECTION**

**BAR LIST**  
**ONE BEAM ONLY**

(For information only)

Bar	No.	Size	Length	Shape
A(E)	56	#4	2'-7"	—
B(E)	8	#5	32'-3"	—
B1(E)	6	#4	32'-1"	—
S(E)	83	#4	6'-5"	U
S1(E)	8	#4	5'-11"	U
S2(E)	75	#4	6'-2"	U
S3(E)	10	#4	4'-6"	U
S4(E)	10	#4	4'-5"	U
U(E)	8	#5	4'-6"	U
U1(E)	4	#4	6'-1"	U

Note: See sheet 5 of 13 for additional details and Bill of Material.