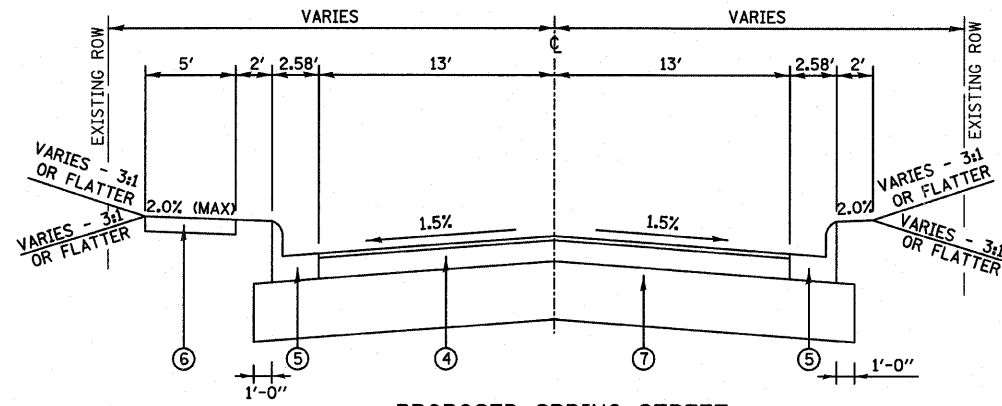


F.A.U. RTE.	SECTION	COUNTY	TOTAL SHEETS	SHEET NO.
9124	05-00085-01-FP 05-00085-02-FP	MADISON	61	5
TYPICAL SECTIONS - SPRING STREET				
FED. ROAD DIST. NO. ILLINOIS FED. AID PROJECT				

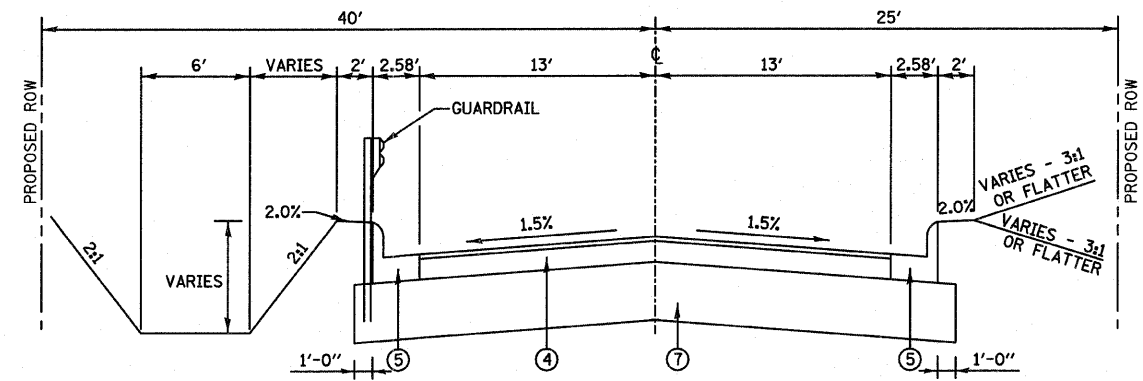
LEGEND

- ① EXISTING OIL & CHIP PAVEMENT
- ② EXISTING CONCRETE GUTTER
- ③ EXISTING CONCRETE SIDEWALK
- ④ PROPOSED HOT-MIX ASPHALT PAVEMENT (FULL-DEPTH), 8"
- ⑤ PROPOSED COMBINATION CONCRETE CURB & GUTTER, B-6.24
- ⑥ PROPOSED PCC SIDEWALK, 4"
- ⑦ PROPOSED PROCESSING MODIFIED SOILS, 12"

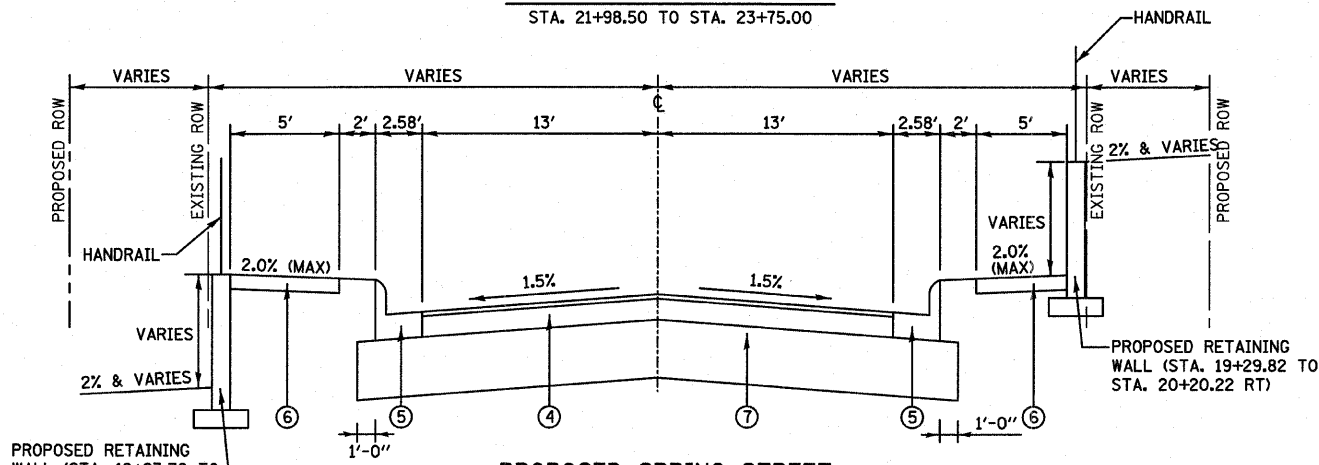
SEE CROSS SECTIONS FOR VARIABLE DIMENSIONS



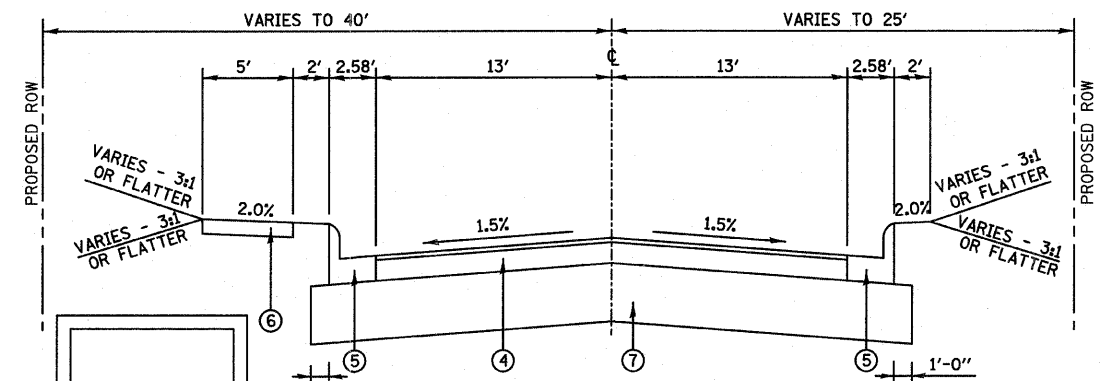
PROPOSED SPRING STREET
STA. 21+98.50 TO STA. 23+75.00



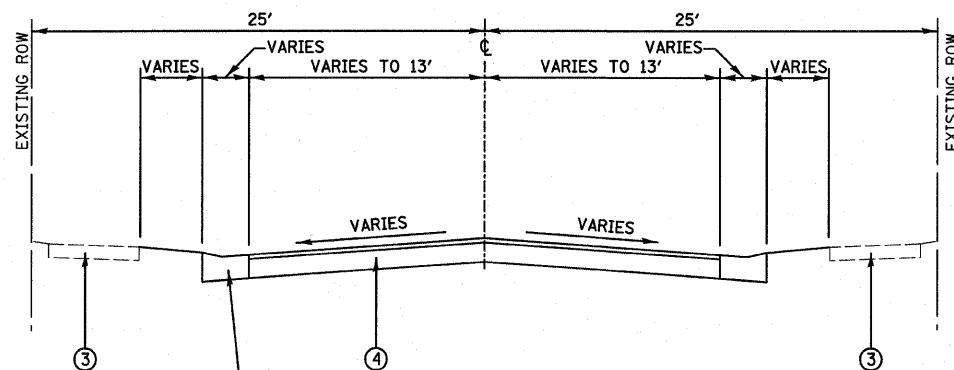
PROPOSED SPRING STREET
STA. 38+05.99 TO STA. 41+53.31



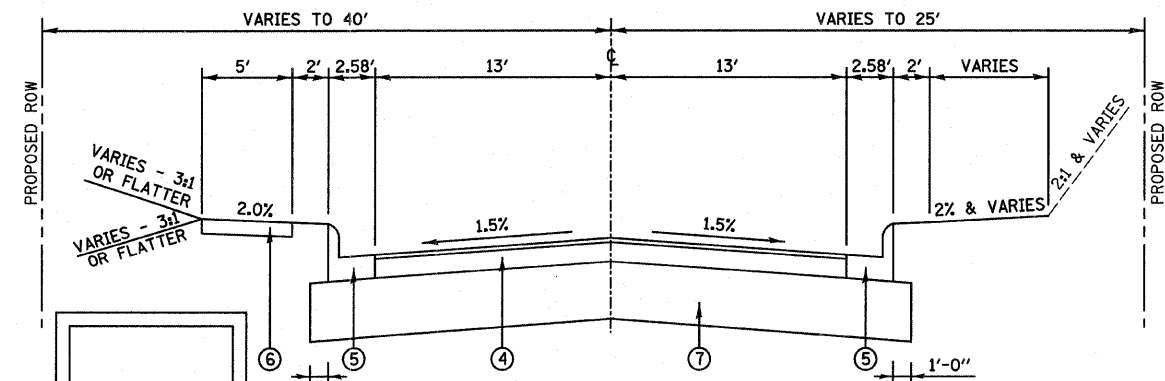
PROPOSED SPRING STREET
STA. 12+25.00 TO STA. 21+98.50



PROPOSED SPRING STREET
STA. 34+50.00 TO STA. 38+05.99



PROPOSED SPRING STREET
STA. 11+75.00 TO STA. 12+25.00



PROPOSED SPRING STREET
STA. 23+75.00 TO STA. 34+50.00

SEE SHEET 31 FOR ASPHALT DITCH DETAILS

PROPOSED 9'X5' BOX CULVERT