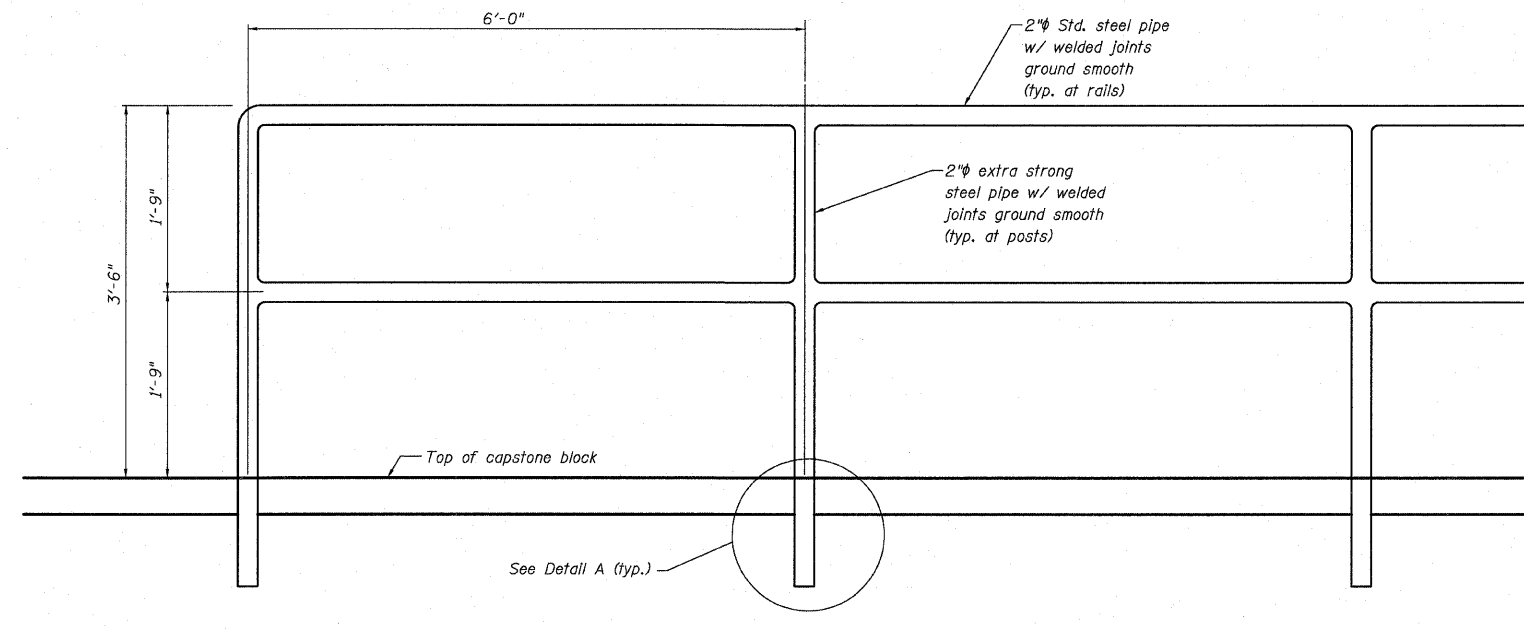
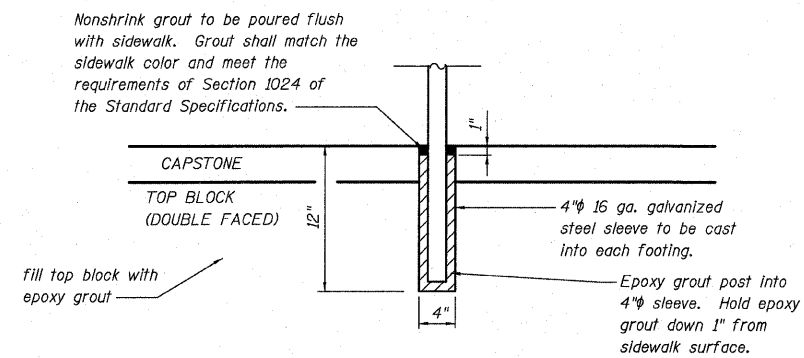


F.A.U. RTE.	SECTION	COUNTY	TOTAL SHEETS	SHEET NO.
9124	05-00085-01-FF 05-00085-02-FF	MADISON	61	30
FED. ROAD DIST. NO.		ILLINOIS	FED. AID PROJECT	



**TYPICAL LAYOUT OF PIPE HANDRAIL
CAPBLOCK INSTALLATION**
(Not to Scale)



DETAIL A

Notes:

- ① Contractor shall coordinate rail post layout with rail manufacturer.
- ② The Contractor shall field verify proposed rail layout with wall prior to construction and ordering of material, including horizontal and vertical dimensions.
- ③ Shop drawings shall be submitted to the Engineer for approval prior to manufacture and ordering of material.
- ④ Railing shall be according to Section 509 of the Standard Specifications, except as noted.
- ⑤ Pipe material shall conform to ASTM A53.
- ⑥ All other steel shapes and plates shall conform to the requirements of AASTHO M 270 Grade 36.
- ⑦ All posts, railing splces, anchor devices and bent plates shall be cleaned and painted after shop fabrication in accordance with Section 506 of the Standard Specifications. Color of paint shall be black.
- ⑧ Expansion joints shall be placed at a maximum of 40'-0" cts. The expansion joints shall not have any protrusions from the railing surface and shall provide for a smooth rail along its entire length.
- ⑨ Railing post installation at the top of the retaining wall providing the barrier to a residence shall be installed per the wall manufacturer's recommendations.