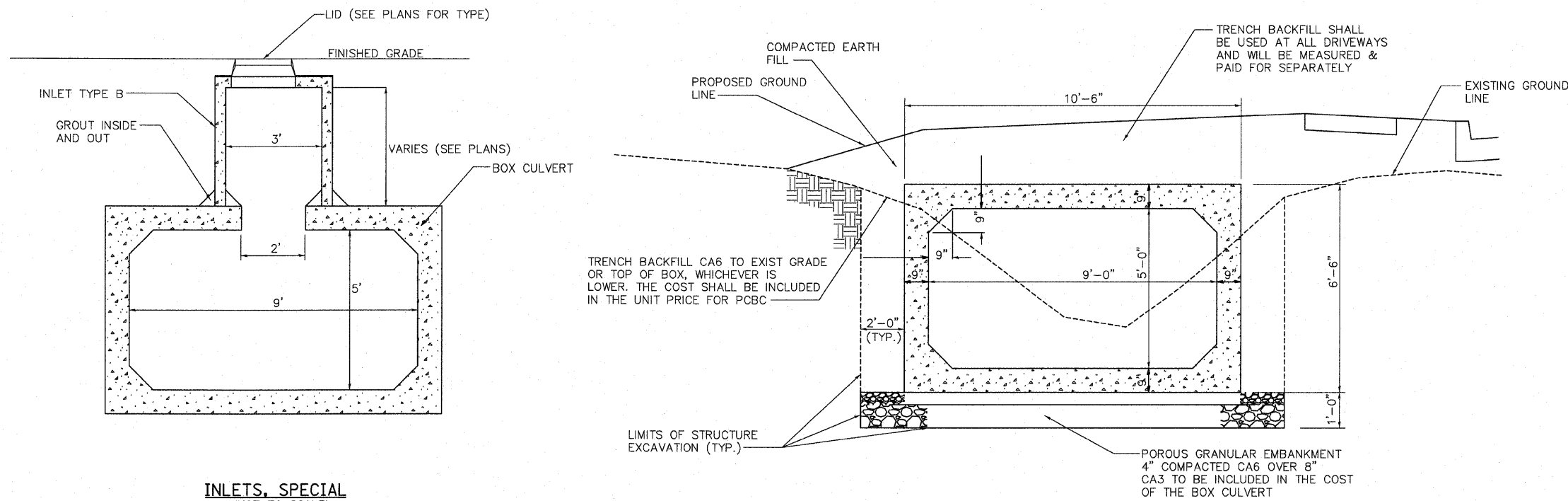
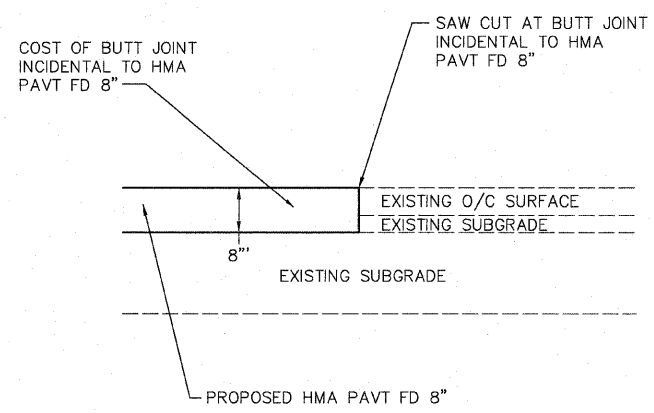


F.A. RTE.	SECTION	COUNTY	TOTAL SHEETS	SHEET NO.
9124	05-00085-01-FF 05-00085-02-FF	MADISON	61	31
STA.		TO STA.		
FED. ROAD DIST. NO.	ILLINOIS	FED. AID PROJECT		

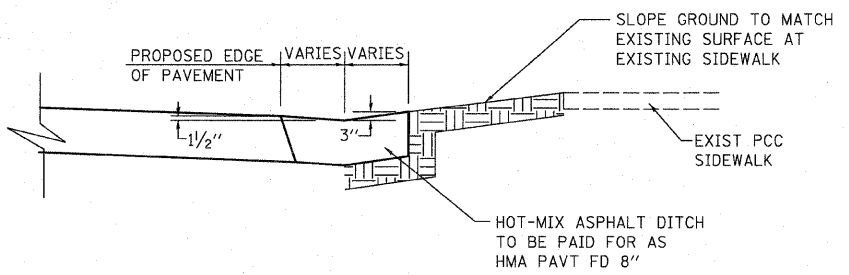


**INLETS, SPECIAL**  
(NOT TO SCALE)

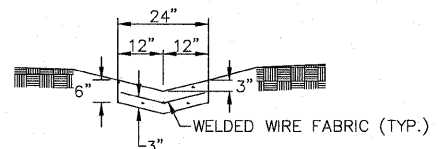
**PRECAST CONCRETE BOX CULVERT**  
(NOT TO SCALE)



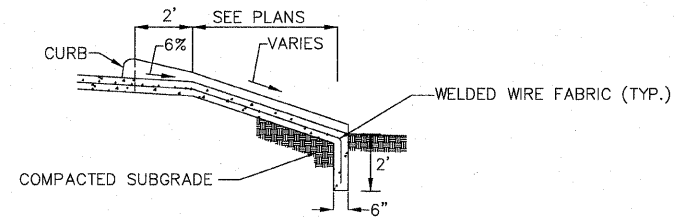
**BUTT JOINT DETAIL**  
SCALE: NONE



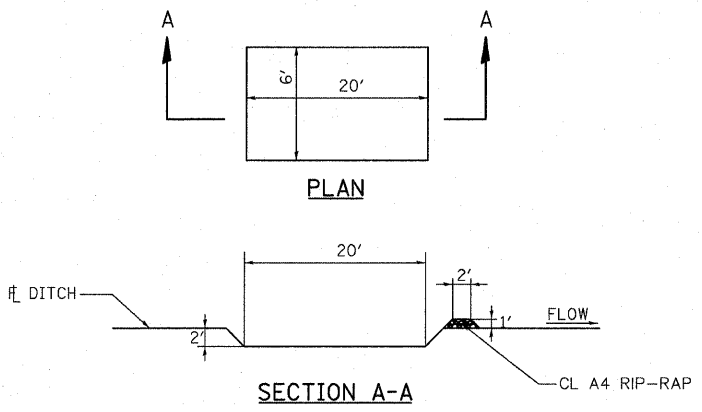
**HOT-MIX ASPHALT DITCH**  
STA. 11+75 TO STA. 12+25 LT & RT  
SCALE: NONE



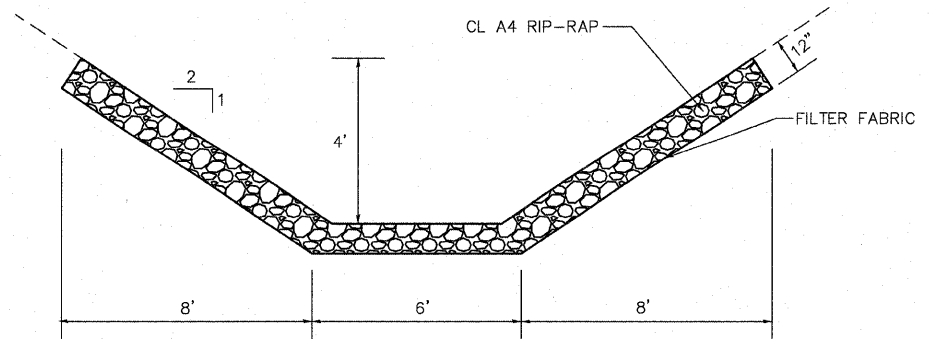
**SECTION B-B**



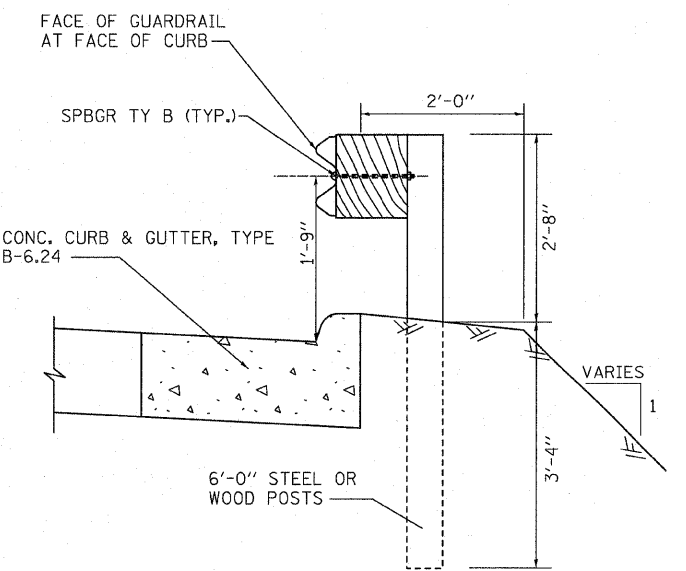
**SECTION A-A**



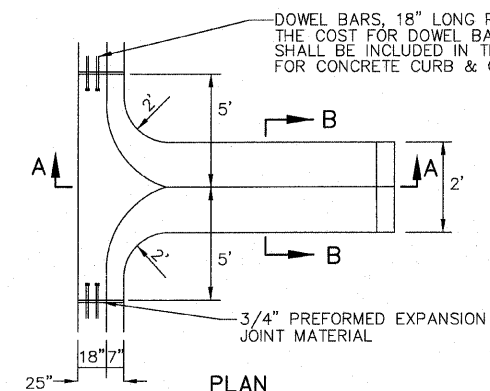
**SEDIMENT BASIN**  
(NOT TO SCALE)



**RIP-RAP DITCH**  
(NOT TO SCALE)



**STEEL PLATE BEAM GUARDRAIL**  
(NOT TO SCALE)



**GUTTER OUTLET**  
(NOT TO SCALE)

NOTES: THE CONSTRUCTION OF THE DRAINAGE OUTLET SHALL BE INCLUDED IN THE CONTRACT UNIT PRICE FOR CONCRETE CURB AND GUTTER.

DOWEL BARS, 18" LONG PLACED AT MID DEPTH THE COST FOR DOWEL BAR INSTALLATION SHALL BE INCLUDED IN THE CONTRACT UNIT PRICE FOR CONCRETE CURB & GUTTER.