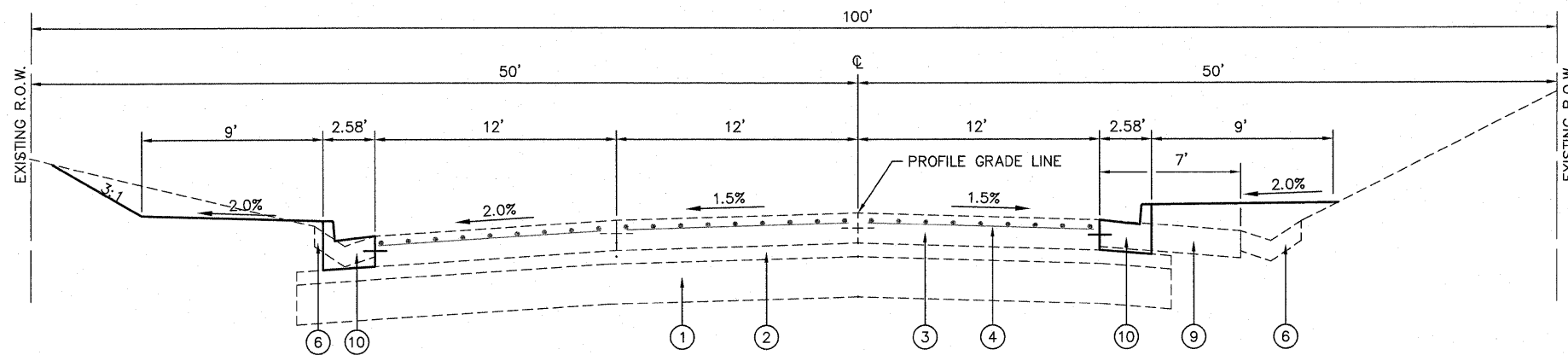


LEGEND

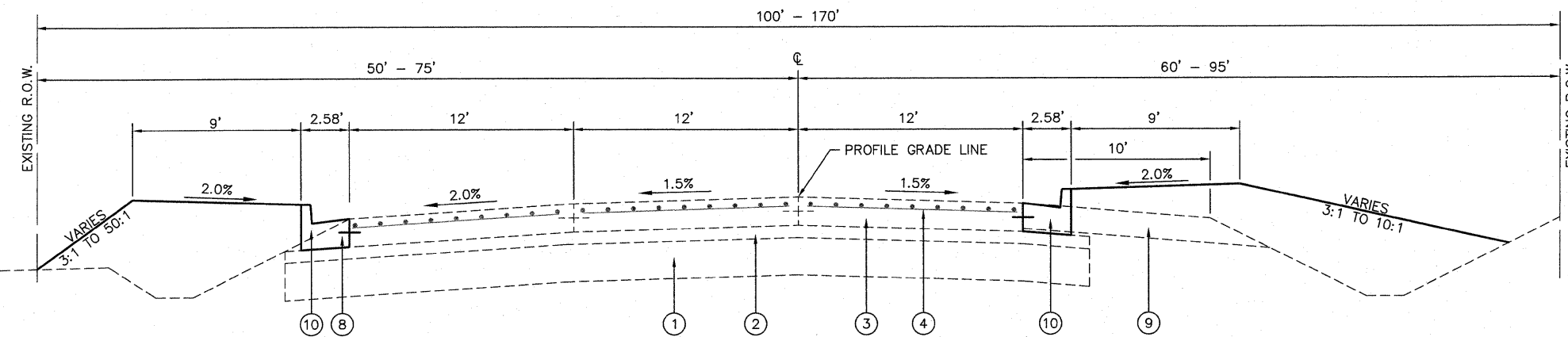
- ① EXISTING LIME MODIFIED SOIL, 12"
- ② EXISTING SUB-BASE GRANULAR MATERIAL, TYPE A, 4"
- ③ EXISTING PORTLAND CEMENT CONCRETE PAVEMENT, 9", TYPE A FINAL FINISH (SEE IDOT STANDARD 420601)
- ④ EXISTING PAVEMENT FABRIC (SEE IDOT STANDARD 420701)
- ⑤ EXISTING SAWED LONGITUDINAL JOINT OR LONGITUDINAL CONSTRUCTION JOINT WITH TIE BAR GROUDED IN PLACE (SEE IDOT STANDARD 420001)
- ⑥ EXISTING CONCRETE GUTTER, TYPE A - TO BE REMOVED
- ⑦ EXISTING HOT-MIX ASPHALT SHOULDER, 8" - TO BE REMOVED
- ⑧ EXISTING AGGREGATE SHOULDERS, TYPE B - TO BE REMOVED
- ⑨ EXISTING AGGREGATE SHOULDERS, TYPE A 8" - TO BE REMOVED
- ⑩ PROPOSED COMBINATION CONCRETE CURB AND GUTTER, TYPE B-6.24 WITH TIE BAR GROUDED IN PLACE (SEE IDOT STANDARD 606001)
- ⑪ PROPOSED LIME MODIFIED SOIL, 12"
- ⑫ PROPOSED SUB-BASE GRANULAR MATERIAL, TYPE A, 4"
- ⑬ PROPOSED PORTLAND CEMENT CONCRETE PAVEMENT, 9", TYPE A FINAL FINISH (SEE IDOT STANDARD 420601)
- ⑭ PROPOSED HOT-MIX ASPHALT SHOULDERS, 8"
- ⑮ PROPOSED AGGREGATE SHOULDERS, TYPE B
- ⑯ PROPOSED PAVEMENT FABRIC (SEE IDOT STANDARD 420701)

NOTE: TRANSVERSE JOINTS SHALL BE CONSTRUCTED IN PROLONGATION WITH EXISTING PAVEMENT JOINTS.



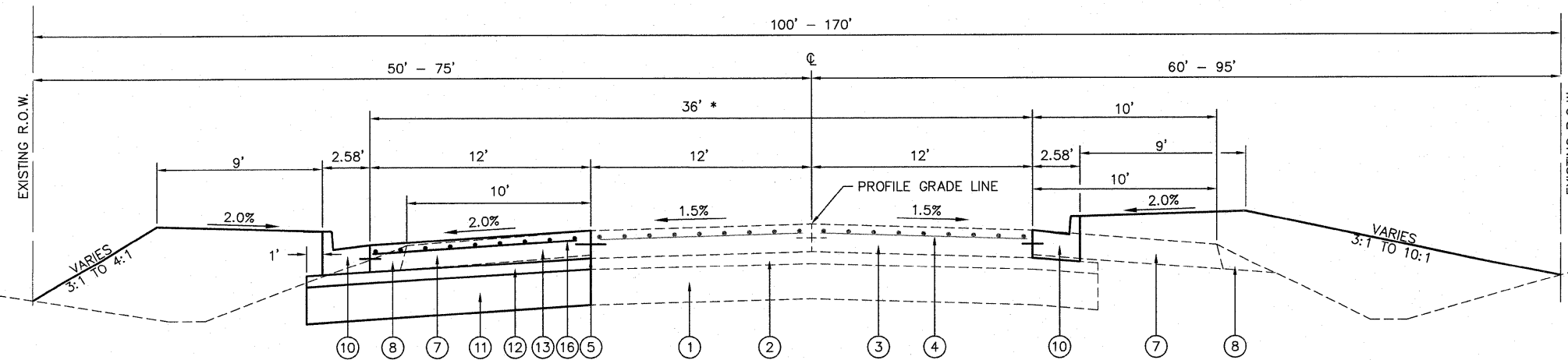
PROPOSED FRANK SCOTT PARKWAY WEST

STA. 140+12.00 TO STA. 142+89.00
(NOT TO SCALE)



PROPOSED FRANK SCOTT PARKWAY WEST

STA. 138+35.58 TO STA. 140+12.00
STA. 144+39.00 TO STA. 147+63.00
STA. 150+89.00 TO STA. 153+87.00
(NOT TO SCALE)



PROPOSED FRANK SCOTT PARKWAY WEST

STA. 134+96.62 TO STA. 138+35.58
(NOT TO SCALE)

* CONTRACTOR TO HOLD RIGHT EDGE OF PAVEMENT (EAST SIDE) AND CONSTRUCT WIDENING FOR A FINAL PAVEMENT WIDTH OF 36 FEET MEASURED FROM THE EDGE TO EDGE OF PAVEMENT

FILE NAME = 7891S01_REVISED.DWG	USER NAME = SAM WRIGLEY	DESIGNED - SSM	REVISED -	CITY OF BELLEVILLE, ILLINOIS 101 S. Illinois Street Belleville, IL 62220-2105	FRANK SCOTT PARKWAY WEST TYPICAL SECTIONS	F.A.U. RTE. 9256	SECTION 09-00212-00-CG	COUNTY ST. CLAIR	TOTAL SHEETS 90	SHEET NO. 5
	PLOT SCALE = 1" = 1'	DRAWN - SW3	REVISED -			SCALE:	SHEET NO. ___ OF ___ SHEETS	STA. _____ TO STA. _____	CONTRACT NO. 97379	
PLOT DATE = 2009-04-30	CHECKED - AJG	DATE - 2009-01-30	REVISED -			FED. ROAD DIST. NO. ILLINOIS FED. AID PROJECT				